

The Industry Standard



EMERSON *Semi-Hermetic Compressor* **Product Catalogue**

Copeland[®]
brand products


EMERSON[™]
Climate Technologies

EMERSON. CONSIDER IT SOLVED.™

Index

General Information	1
L Series	2-15
Model Nomenclature & Bill of Materials	2
Performance Data	
50Hz	R22 3
	R404A/507 5
	R134a 7
60Hz	R22 8
	R404A/507 10
	R134a 12
Dimensional Drawing	13
Wiring Diagram	14
Terminal Jumper Schematics	14
Motor Current Data (A)	15
2S Series	16-25
Model Nomenclature & Bill of Materials	16
Performance Data	
50Hz	R22 17
	R404A/507 18
	R134a 19
60Hz	R22 20
	R404A/507 21
	R134a 22
Dimensional Drawing	23
Wiring Diagram	24
Terminal Jumper Schematics	24
Motor Current Data (A)	25
3S Series	26-40
Model Nomenclature & Bill of Materials	26
Performance Data	
50Hz	R22 27
	R404A/507 29
	R134a 31
60Hz	R22 32
	R404A/507 34
	R134a 36
Dimensional Drawing	37
Wiring Diagram	38
Terminal Jumper Schematics	39
Motor Current Data (A)	40

4S/6S Series	41-73
Model Nomenclature & Bill of Materials	41
4S Performance Data	
50Hz	R22 42
	R404A/507 44
	R407C 46
60Hz	R22 47
	R404A/507 49
	R407C 51
6S Performance Data	
50Hz	R22 52
	R404A/507 54
	R407C 56
60Hz	R22 57
	R404A/507 59
	R407C 61
Dimensional Drawing	
	4S 62
	6S 64
Wiring Diagram	67
Terminal Jumper Schematics	69
Motor Current Data (A)	
	4S 70
	6S 72
6T Series	74-91
Model Nomenclature & Bill of Materials	74
Performance Data	
50Hz	R22 75
	R404A/507 77
60Hz	R22 79
	R404A/507 81
Dimensional Drawing	83
Wiring Diagram	85
Terminal Jumper Schematics	87
Motor Current Data (A)	88
All Series	92-94
Mechanical Data	92
Electrical Data	94

General Information

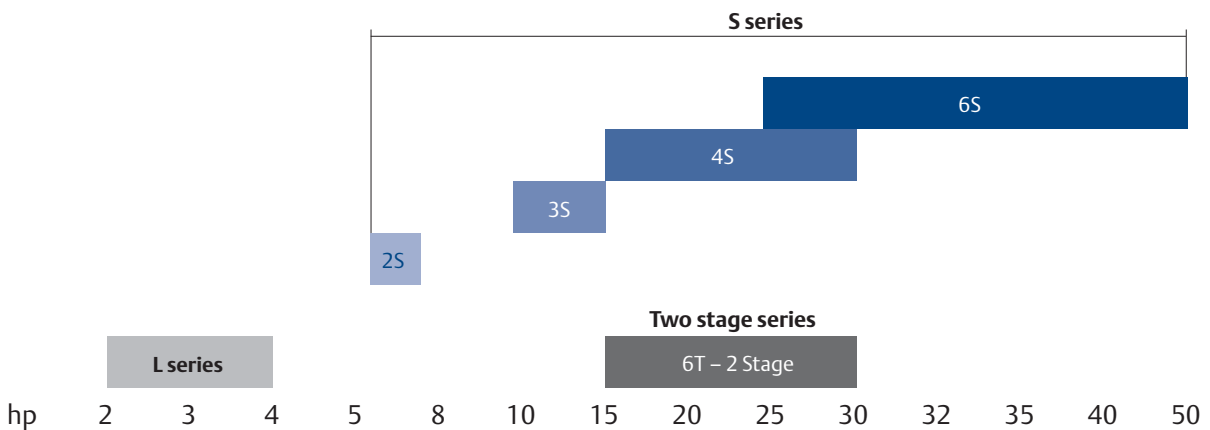
The first Copeland brand Semi-Hermetic compressor was produced in 1941. It was the first successful compressor to operate with an electric motor inside the compressor casting. Since then Copeland brand Semi-Hermetic compressors have earned the reputation for its durability and consistent quality and established itself as an Industry Standard.

Today Copeland brand Semi-Hermetic compressors are manufactured in five different plants world wide. All the Copeland manufacturing plants are audited by an expert team on a regular basis to ensure a uniform global standard is implemented in all its manufacturing locations.

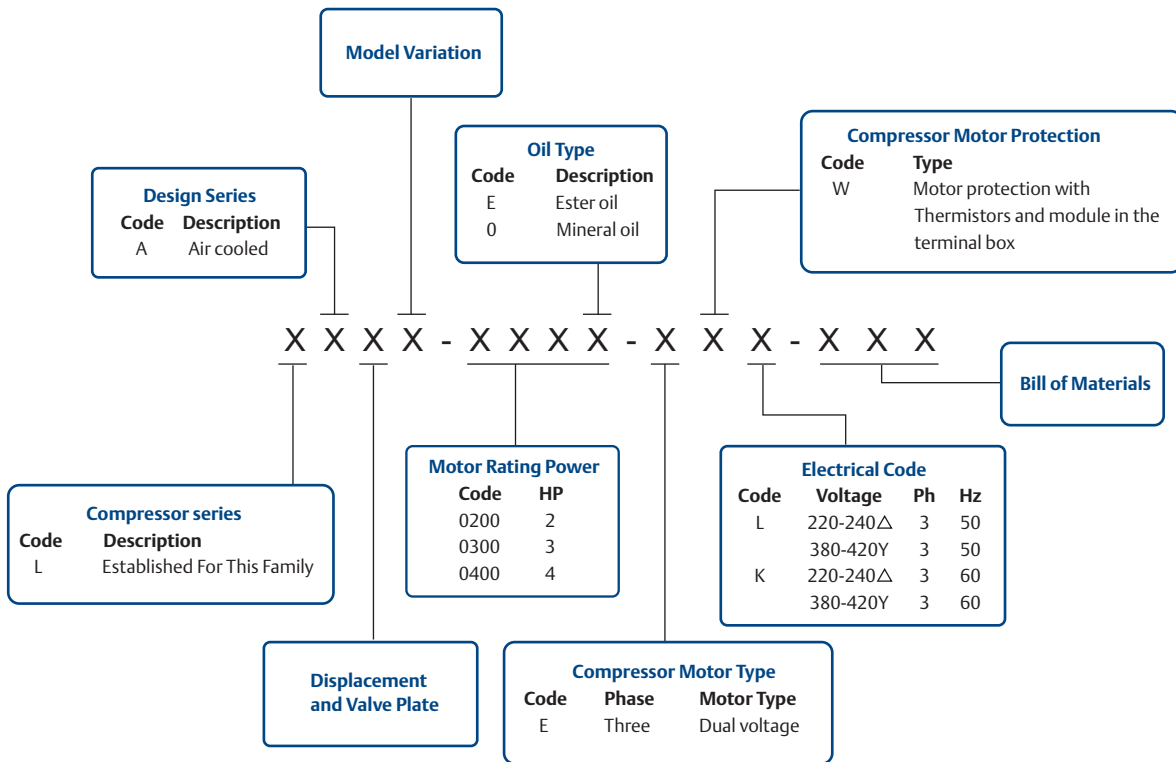
You can be assured that when you buy a Copeland brand Semi-Hermetic compressor you are buying one of the best compressors available in the market.

This catalogue provides the basic technical information for the products made from our manufacturing facility in Shenyang, China. We are proud to inform that the China manufacturing facility is a fully owned Copeland manufacturing plant and has consistently won the top “Gold” status award in Copeland internal audits since the year 2004. Through this our China Semi-Hermetic facility has earned the reputation as the best Semi-Hermetic plant.

Compressor Series And HP Range.



Model Nomenclature & Bill of Materials



Bill of Materials (BOM)

L Series	202
Mounting Parts	√
Rotalock/Service Valve	√
Crankcase Heater	√
Motor Protection Module	√

Performance Data

Q=Capacity (kW) P=Power input (kW)

50 Hz

Model	Condensing Temperature °C	Evaporating Temperature °C															
		-50	-45	-40	-35	-30	-25	-20	-15	-10	-5	0	5	7	10	12.5	
LA10-0200	Q	25			1.10	1.60	2.10	2.90	3.80	4.80	6.00	7.50	9.10	11.10	11.90	13.20	14.40
	30			0.90	1.40	1.90	2.60	3.50	4.50	5.60	7.00	8.60	10.40	11.20	12.40	13.60	
	35			0.80	1.20	1.80	2.40	3.20	4.10	5.20	6.50	8.00	9.70	10.50	11.70	12.70	
	40			0.70	1.10	1.60	2.20	2.90	3.80	4.80	6.00	7.50	9.10	9.80	10.90	12.00	
	45			0.60	0.90	1.40	2.00	2.60	3.50	4.40	5.60	6.90	8.40	9.10	10.20	11.20	
	50			0.40	0.80	1.20	1.80	2.40	3.20	4.10	5.20	6.40	7.80	8.50	9.50	10.40	
	55					1.10	1.60	2.20	2.90	3.70	4.70	5.90	7.30	7.80			
	60					0.90	1.40	1.90	2.60	3.40	4.30	5.40					
	62					0.90	1.30	1.80	2.50	3.30	4.20	5.20					
	P	25			1.00	1.10	1.30	1.40	1.50	1.60	1.70	1.70	1.70	1.60	1.60	1.50	
	30				1.00	1.10	1.30	1.40	1.60	1.70	1.80	1.90	1.90	1.90	1.80	1.80	
	35				0.90	1.10	1.30	1.40	1.60	1.80	1.90	2.00	2.10	2.10	2.10	2.10	
	40				0.90	1.10	1.30	1.50	1.60	1.80	2.00	2.10	2.20	2.30	2.30	2.30	
	45				0.90	1.10	1.30	1.50	1.70	1.90	2.10	2.20	2.40	2.50	2.60	2.60	
50				0.80	1.00	1.30	1.50	1.70	1.90	2.10	2.30	2.50	2.70	2.70	2.80	2.80	
55						1.20	1.50	1.70	2.00	2.20	2.40	2.60	2.80	2.90			
60						1.20	1.50	1.70	2.00	2.30	2.50	2.70					
62						1.20	1.50	1.70	2.00	2.30	2.50	2.70					
LA20-0200	Q	25	0.60	1.00	1.50	2.20	3.00	4.00	5.20	6.60	8.20	10.10					
	30	0.50	0.90	1.30	2.00	2.70	3.70	4.80	6.10	7.70	9.50						
	35		0.70	1.20	1.80	2.50	3.40	4.50	5.70	7.20	8.90						
	40		0.60	1.00	1.60	2.30	3.10	4.10	5.30	6.70	8.30						
	45			0.90	1.40	2.00	2.80	3.80	4.90	6.20							
	50			0.80	1.20	1.80	2.50	3.40	4.50								
	55			0.60	1.00	1.60	2.30	3.10	4.10								
	P	25	0.90	1.00	1.20	1.40	1.60	1.80	2.00	2.10	2.20	2.30					
	30	0.80	1.00	1.20	1.40	1.70	1.90	2.10	2.20	2.40	2.50						
	35		1.00	1.20	1.40	1.70	1.90	2.10	2.40	2.50	2.70						
	40		1.00	1.20	1.40	1.70	2.00	2.20	2.50	2.70	2.90						
	45			1.20	1.40	1.70	2.00	2.30	2.60	2.80							
	50			1.10	1.40	1.70	2.00	2.30	2.60								
	55			1.10	1.40	1.70	2.00	2.40	2.70								
LA20-0300	Q	30			1.40	2.00	2.70	3.70	4.80	6.20	7.80	9.50	11.60	13.80	14.80	16.30	17.60
	35				1.20	1.80	2.50	3.40	4.50	5.80	7.30	8.90	10.90	13.00	13.90	15.30	16.60
	40				1.10	1.60	2.20	3.10	4.10	5.30	6.70	8.30	10.20	12.20	13.10	14.40	15.60
	45				0.90	1.40	2.00	2.80	3.80	4.90	6.30	7.80	9.50	11.40	12.20	13.50	14.70
	50				0.80	1.20	1.80	2.60	3.50	4.50	5.80	7.20	8.80	10.60	11.40	12.60	13.70
	55				0.60	1.00	1.60	2.30	3.20	4.20	5.30	6.70	8.20	9.90	10.60	11.80	12.80
	60					1.40	2.10	2.90	3.80	4.90	6.10	7.60	9.10	9.80			
	62					1.30	2.00	2.70	3.70	4.70	5.90	7.30	8.90	9.50			
	P	30			1.20	1.40	1.60	1.90	2.00	2.20	2.40	2.50	2.50	2.50	2.50	2.40	2.30
	35				1.20	1.40	1.70	1.90	2.10	2.30	2.50	2.60	2.70	2.80	2.80	2.70	2.70
	40				1.20	1.40	1.70	1.90	2.20	2.40	2.60	2.80	2.90	3.00	3.00	3.00	3.00
	45				1.20	1.40	1.70	2.00	2.20	2.50	2.80	3.00	3.10	3.30	3.30	3.30	3.30
	50				1.10	1.40	1.70	2.00	2.30	2.60	2.90	3.10	3.30	3.50	3.50	3.60	3.60
	55				1.10	1.40	1.70	2.00	2.30	2.60	3.00	3.20	3.50	3.70	3.70	3.80	3.90
60					1.70	2.00	2.40	2.70	3.00	3.30	3.60	3.90	3.90				
62					1.70	2.00	2.40	2.70	3.10	3.40	3.70	3.90	4.00				
LA40-0300	Q	25	1.10	1.70	2.40	3.40	4.50	5.90	7.60	9.60	11.90	14.50					
	30	0.90	1.50	2.20	3.10	4.20	5.50	7.10	9.00	11.20	13.70						
	35		1.30	1.90	2.80	3.80	5.10	6.60	8.40	10.50	12.90						
	40		1.10	1.70	2.50	3.50	4.70	6.20	7.80								
	45			2.30	3.20	4.30	5.70										
	50			2.00	2.90	3.90	5.20										
	55			1.70	2.60	3.60	4.80										
	P	25	1.20	1.40	1.70	1.90	2.20	2.40	2.60	2.80	3.00	3.10					
	30	1.20	1.40	1.70	2.00	2.20	2.50	2.80	3.00	3.30	3.40						
	35		1.40	1.70	2.00	2.30	2.60	2.90	3.20	3.50	3.70						
	40		1.40	1.70	2.00	2.30	2.70	3.10	3.40								
	45			2.00	2.40	2.80	3.20										
	50			2.00	2.40	2.90	3.30										
	55			2.00	2.50	2.90	3.40										

Notes:

Suction Gas Temperature 20°C
Liquid subcooling 0K

Performance Data

Q=Capacity (kW) P=Power input (kW)

50 Hz

Model	Condensing Temperature °C	Evaporating Temperature °C															
		-50	-45	-40	-35	-30	-25	-20	-15	-10	-5	0	5	7	10	12.5	
LA40-0400	Q	30			2.20	3.10	4.20	5.60	7.20	9.10	11.30	13.80	16.50	19.60	20.80	22.90	24.70
		35			2.00	2.80	3.80	5.10	6.70	8.50	10.60	12.90	15.50	18.40	19.60	21.50	23.20
		40			1.80	2.50	3.50	4.70	6.20	7.90	9.80	12.00	14.50	17.20	18.40	20.20	21.80
		45				2.30	3.20	4.30	5.70	7.30	9.10	11.20	13.50	16.10	17.20	19.00	20.40
		50				2.00	2.90	3.90	5.20	6.70	8.40	10.40	12.60	15.00	16.10	17.70	19.10
		55				1.80	2.60	3.60	4.80	6.20	7.80	9.60	11.70	14.00			
		60					2.30	3.20	4.40	5.70	7.20	8.90	10.80				
		62					2.20	3.10	4.20	5.50	6.90	8.60					
		P	30		1.70	2.00	2.30	2.50	2.80	3.00	3.20	3.40	3.50	3.50	3.50	3.40	3.40
			35		1.70	2.00	2.30	2.60	2.90	3.20	3.40	3.70	3.80	3.90	3.90	3.90	3.90
			40		1.70	2.00	2.30	2.70	3.00	3.30	3.60	3.90	4.10	4.30	4.30	4.30	4.30
			45			2.00	2.40	2.80	3.10	3.50	3.80	4.10	4.40	4.60	4.70	4.80	4.80
			50			2.00	2.40	2.80	3.20	3.60	4.00	4.40	4.70	5.00	5.00	5.20	5.20
			55			2.00	2.40	2.90	3.30	3.70	4.20	4.60	4.90	5.30			
		60				2.50	2.90	3.40	3.90	4.30	4.80	5.20					
		62				2.50	2.90	3.40	3.90	4.40	4.90						
LA50-0400	Q	25	1.50	2.20	3.20	4.50	6.00	7.70	9.60								
		30	1.30	2.00	3.00	4.20	5.60	7.20	9.00								
		35	1.20	1.80	2.70	3.80	5.20	6.70	8.40								
		40	1.00	1.60	2.50	3.50	4.80	6.20	7.90								
		45			2.20	3.20	4.40	5.80	7.30								
		50			2.00	2.90	4.00	5.30	6.80								
		55			1.70	2.60	3.60	4.90	6.30								
		P	25	1.60	1.90	2.20	2.60	2.90	3.20	3.40							
			30	1.50	1.90	2.20	2.60	3.00	3.40	3.60							
			35	1.50	1.90	2.30	2.70	3.10	3.50	3.80							
			40	1.40	1.80	2.30	2.70	3.20	3.60	4.00							
			45			2.30	2.70	3.20	3.70	4.20							
			50			2.20	2.80	3.30	3.80	4.30							
			55			2.20	2.80	3.30	3.90	4.40							

Notes:

Suction Gas Temperature 20°C
 Liquid subcooling 0K

Performance Data

Q=Capacity (kW) P=Power input (kW)

50 Hz

Model	Condensing Temperature °C	Evaporating Temperature °C															
		-50	-45	-40	-35	-30	-25	-20	-15	-10	-5	0	5	7	10	12.5	
LA10-020E	Q	20			1.50	2.10	2.80	3.70	4.70	5.90	7.30	8.90	10.90	13.00	14.00	15.50	16.80
		25			1.30	1.90	2.50	3.30	4.30	5.50	6.80	8.30	10.10	12.20	13.00	14.50	15.70
		30			1.10	1.60	2.30	3.00	3.90	5.00	6.20	7.70	9.30	11.30	12.10	13.40	14.60
		35			0.80	1.30	2.00	2.70	3.50	4.50	5.70	7.00	8.60	10.40	11.20	12.40	13.50
		40			0.60	1.10	1.70	2.40	3.10	4.10	5.10	6.40	7.80	9.40	10.20	11.30	12.40
		45				0.80	1.40	2.00	2.70	3.60	4.60	5.70	7.00	8.50	9.20	10.30	11.20
		50				0.60	1.10	1.70	2.30	3.10	4.00	5.00	6.20	7.60	8.20	9.10	
		55					0.80	1.30	1.90	2.60	3.40	4.30	5.40	6.60			
		P	20		0.90	1.10	1.20	1.30	1.50	1.50	1.60	1.60	1.60	1.60	1.50	1.50	1.40
			25		0.90	1.10	1.20	1.40	1.50	1.60	1.70	1.80	1.80	1.80	1.80	1.80	1.70
			30		0.90	1.00	1.20	1.40	1.60	1.70	1.80	1.90	2.00	2.00	2.00	2.00	2.00
			35		0.80	1.00	1.20	1.40	1.60	1.80	1.90	2.10	2.20	2.30	2.30	2.30	2.30
			40		0.70	1.00	1.20	1.40	1.60	1.80	2.00	2.20	2.30	2.50	2.50	2.50	2.60
			45			0.90	1.10	1.40	1.60	1.90	2.10	2.30	2.50	2.70	2.70	2.80	2.80
		50			0.80	1.10	1.30	1.60	1.90	2.10	2.40	2.60	2.80	2.90	3.00		
		55				1.00	1.30	1.60	1.90	2.20	2.50	2.70	3.00				
LA20-020E	Q	20	0.80	1.40	2.00	2.80	3.70	4.80	6.10								
		25	0.60	1.10	1.70	2.50	3.30	4.40	5.60								
		30		0.90	1.50	2.20	3.00	3.90	5.10								
		35		0.70	1.20	1.90	2.60	3.50	4.50								
		40			1.00	1.60	2.30	3.10	4.00								
		45			0.80	1.30	1.90	2.70	3.50								
		50				1.00	1.60	2.30	3.10								
		55				0.80	1.30	1.90	2.60								
		P	20	0.70	0.90	1.10	1.30	1.50	1.70	1.90							
			25	0.70	0.90	1.10	1.40	1.60	1.80	2.00							
			30		0.90	1.10	1.40	1.60	1.90	2.10							
			35		0.90	1.10	1.40	1.60	1.90	2.20							
			40			1.10	1.40	1.70	1.90	2.20							
			45			1.10	1.40	1.70	2.00	2.30							
		50			1.30	1.70	2.00	2.30									
		55			1.30	1.60	2.00	2.30									
LA20-030E	Q	20		1.60	2.20	3.10	4.10	5.20	6.60	8.30	10.20	12.30	14.70	17.50	18.70		
		25		1.40	2.00	2.80	3.70	4.80	6.10	7.60	9.40	11.40	13.70	16.30	17.40		
		30		1.10	1.70	2.50	3.30	4.40	5.60	7.00	8.60	10.50	12.70	15.10	16.20		
		35		0.90	1.50	2.20	3.00	3.90	5.10	6.40	7.90	9.70	11.70	13.90	14.90		
		40		0.70	1.30	1.90	2.60	3.50	4.60	5.80	7.20	8.80	10.70	12.80	13.70		
		45		0.50	1.00	1.60	2.30	3.10	4.10	5.20	6.50	8.00	9.70	11.70	12.50		
		50			0.80	1.30	2.00	2.70	3.60	4.60	5.80	7.10	8.70	10.50	11.30		
		55			0.60	1.10	1.60	2.30	3.10	4.00	5.10	6.30					
		P	20	1.20	1.40	1.60	1.70	1.90	2.00	2.00	2.00	2.00	1.90	1.80	1.80		
			25	1.20	1.40	1.60	1.80	2.00	2.10	2.20	2.30	2.30	2.30	2.30	2.20		
			30	1.10	1.40	1.60	1.90	2.10	2.30	2.40	2.50	2.60	2.70	2.70	2.70		
			35	1.10	1.40	1.60	1.90	2.10	2.40	2.60	2.70	2.90	3.00	3.00	3.10		
			40	1.00	1.30	1.60	1.90	2.20	2.40	2.70	2.90	3.10	3.20	3.40	3.40		
			45	0.90	1.20	1.60	1.90	2.20	2.50	2.70	3.00	3.20	3.50	3.60	3.70		
		50		1.20	1.50	1.80	2.20	2.50	2.80	3.10	3.40	3.60	3.90	4.00			
		55		1.10	1.40	1.80	2.10	2.50	2.80	3.20	3.50						
LA40-030E	Q	20	1.40	2.20	3.20	4.30	5.80	7.40	9.30								
		25	1.10	1.90	2.80	3.90	5.30	6.80	8.60								
		30	0.80	1.60	2.40	3.50	4.70	6.20	7.90								
		35		1.20	2.10	3.10	4.20	5.60	7.20								
		40		0.90	1.70	2.60	3.70	5.00	6.50								
		45			1.30	2.20	3.20	4.40	5.80								
		50			1.00	1.80	2.70	3.80	5.10								
		55				1.40	2.20	3.20	4.40								
		P	20	1.20	1.50	1.80	2.00	2.30	2.50	2.80							
			25	1.10	1.40	1.70	2.00	2.30	2.60	2.90							
			30	1.00	1.40	1.70	2.00	2.40	2.70	3.10							
			35		1.30	1.60	2.00	2.40	2.80	3.20							
			40		1.10	1.60	2.00	2.40	2.80	3.30							
			45			1.40	1.90	2.40	2.90	3.40							
		50			1.30	1.80	2.30	2.90	3.40								
		55			1.70	2.30	2.80	3.40									

Notes:

Suction Gas Temperature 20°C
Liquid subcooling 0K

Performance Data

Q=Capacity (kW) P=Power input (kW)

50 Hz

Model	Condensing Temperature °C	Evaporating Temperature °C														
		-50	-45	-40	-35	-30	-25	-20	-15	-10	-5	0	5	7		
LA40-040E	Q	20		2.30	3.10	4.30	5.60	7.20	9.10	11.40	14.00	17.00	20.40	24.20	25.90	
		25		2.00	2.80	3.90	5.10	6.70	8.50	10.60	13.10	15.90	19.10	22.80	24.30	
		30		1.70	2.50	3.50	4.70	6.10	7.80	9.80	12.10	14.80	17.90	21.30	22.80	
		35		1.40	2.10	3.10	4.20	5.50	7.10	9.00	11.20	13.70	16.60	19.90	21.30	
		40		1.10	1.80	2.70	3.70	4.90	6.40	8.20	10.20	12.60	15.30	18.40	19.70	
		45		0.90	1.50	2.30	3.20	4.40	5.70	7.30	9.20	11.50	14.00	16.90	18.20	
		50			1.20	1.90	2.70	3.80	5.00	6.50	8.20	10.30	12.70	15.40	16.60	
		55			0.90	1.50	2.30	3.20	4.30	5.70	7.30	9.10				
		P	20		1.60	1.90	2.10	2.40	2.60	2.90	3.10	3.30	3.40	3.60	3.60	3.70
			25		1.60	1.90	2.10	2.40	2.70	2.90	3.20	3.40	3.60	3.70	3.80	3.90
			30		1.60	1.80	2.10	2.40	2.70	3.00	3.30	3.60	3.80	4.00	4.10	4.10
			35		1.50	1.80	2.20	2.50	2.80	3.20	3.50	3.80	4.00	4.30	4.40	4.50
			40		1.40	1.80	2.20	2.50	2.90	3.30	3.70	4.00	4.30	4.60	4.80	4.90
			45		1.20	1.70	2.10	2.50	3.00	3.40	3.80	4.20	4.60	4.90	5.20	5.40
		50			1.50	2.00	2.50	3.00	3.50	4.00	4.40	4.90	5.30	5.70	5.80	
		55			1.20	1.80	2.40	2.90	3.50	4.10	4.60	5.10				
LA50-040E	Q	25	1.60	2.50	3.70	5.00	6.70	8.60	10.80							
		30	1.30	2.20	3.20	4.50	6.00	7.80	9.90							
		35	1.00	1.80	2.80	4.00	5.40	7.10	9.10							
		40		1.40	2.40	3.50	4.80	6.40	8.20							
		45		1.10	1.90	3.00	4.20	5.60	7.30							
		50			1.50	2.50	3.60	4.90	6.40							
		55			1.10	2.00	3.00	4.10	5.50							
		P	25	1.50	1.80	2.20	2.60	2.90	3.30	3.60						
			30	1.40	1.80	2.20	2.60	3.00	3.40	3.80						
			35	1.30	1.70	2.10	2.60	3.10	3.50	4.00						
			40		1.60	2.10	2.60	3.10	3.60	4.10						
			45		1.50	2.00	2.50	3.10	3.60	4.20						
			50			1.90	2.40	3.10	3.70	4.30						
			55			1.70	2.30	3.00	3.70	4.40						

Notes:

Suction Gas Temperature 20°C
 Liquid subcooling 0K

Performance Data

Q=Capacity (kW) P=Power input (kW)

50 Hz

Model	Condensing Temperature °C	Evaporating Temperature °C									
		-20	-15	-10	-5	0	5	7	10	12.5	
LA10-020E	Q	30	1.90	2.60	3.40	4.30	5.30	6.60	7.10	8.00	8.80
		35	1.70	2.30	3.10	3.90	4.90	6.10	6.60	7.40	8.20
		40	1.50	2.10	2.80	3.60	4.50	5.60	6.10	6.90	7.60
		45	1.40	1.90	2.50	3.30	4.10	5.10	5.60	6.30	7.00
		50	1.20	1.70	2.30	2.90	3.70	4.70	5.10	5.80	6.40
		55	1.00	1.50	2.00	2.60	3.40	4.20	4.60	5.20	5.80
		60	0.90	1.30	1.80	2.40	3.00	3.80	4.10	4.70	5.20
	62	0.80	1.30	1.70	2.30	2.90	3.60	4.00	4.50	5.00	
	P	30	1.00	1.10	1.20	1.20	1.30	1.30	1.30	1.30	1.30
		35	1.00	1.10	1.20	1.30	1.40	1.40	1.40	1.40	1.50
		40	1.00	1.10	1.30	1.40	1.50	1.50	1.60	1.60	1.60
		45	1.00	1.20	1.30	1.40	1.50	1.60	1.70	1.70	1.80
		50	1.00	1.20	1.30	1.50	1.60	1.70	1.80	1.90	1.90
		55	1.00	1.20	1.40	1.50	1.70	1.80	1.90	2.00	2.00
60		1.10	1.20	1.40	1.60	1.70	1.90	2.00	2.10	2.20	
62	1.10	1.20	1.40	1.60	1.80	1.90	2.00	2.10	2.20		
LA20-020E	Q	30	2.70	3.50	4.50	5.70	7.00	8.60	9.30	10.50	11.50
		35	2.40	3.20	4.10	5.30	6.60	8.10	8.70	9.80	10.80
		40	2.20	2.90	3.80	4.80	6.10	7.50	8.10	9.10	10.10
		45	1.90	2.60	3.50	4.40	5.60	6.90	7.50	8.50	9.30
		50	1.70	2.40	3.10	4.00	5.10	6.30	6.90	7.80	8.60
		55	1.50	2.10	2.80	3.70	4.60	5.80	6.30	7.10	7.90
		60	1.30	1.80	2.50	3.30	4.20	5.20	5.70	6.40	7.20
	62	1.20	1.70	2.40	3.10	4.00	5.00	5.50	6.20	7.00	
	P	30	1.20	1.30	1.40	1.50	1.60	1.60	1.60	1.60	1.60
		35	1.20	1.40	1.50	1.60	1.70	1.80	1.80	1.80	1.80
		40	1.20	1.40	1.60	1.70	1.80	1.90	1.90	2.00	2.00
		45	1.30	1.40	1.60	1.80	1.90	2.00	2.10	2.10	2.20
		50	1.30	1.50	1.70	1.90	2.00	2.20	2.20	2.30	2.30
		55	1.30	1.50	1.70	1.90	2.10	2.30	2.30	2.40	2.50
60		1.30	1.50	1.70	2.00	2.20	2.40	2.40	2.50	2.50	
62	1.30	1.50	1.70	2.00	2.20	2.40	2.50	2.60	2.60		
LA40-030E	Q	30	3.80	5.00	6.50	8.20	10.20	12.50	13.50	15.10	16.60
		35	3.50	4.60	6.00	7.60	9.50	11.70	12.60	14.20	15.60
		40	3.10	4.20	5.50	7.00	8.80	10.90	11.80	13.20	14.60
		45	2.80	3.80	5.00	6.40	8.10	10.10	10.90	12.30	13.60
		50	2.50	3.40	4.60	5.90	7.40	9.20	10.10	11.40	12.50
		55	2.20	3.10	4.10	5.30	6.80	8.50	9.20	10.40	11.50
		60	1.90	2.70	3.70	4.80	6.10	7.70	8.40	9.50	10.60
	62	1.70	2.60	3.50	4.60	5.90	7.40	8.00	9.10	10.20	
	P	30	1.80	2.00	2.10	2.30	2.40	2.50	2.50	2.50	2.50
		35	1.80	2.00	2.20	2.40	2.60	2.70	2.80	2.80	2.90
		40	1.80	2.10	2.30	2.60	2.80	3.00	3.00	3.10	3.20
		45	1.90	2.20	2.40	2.70	3.00	3.20	3.30	3.40	3.50
		50	1.90	2.20	2.50	2.80	3.10	3.40	3.50	3.70	3.80
		55	1.90	2.20	2.60	3.00	3.30	3.60	3.80	4.00	4.10
60		1.90	2.30	2.70	3.00	3.40	3.80	4.00	4.20	4.30	
62	1.90	2.30	2.70	3.10	3.50	3.90	4.10	4.30	4.40		
LA50-040E	Q	30	5.00	6.50	8.30	10.40	12.80	15.60	16.90	18.90	20.60
		35	4.60	6.00	7.70	9.70	12.00	14.70	15.80	17.80	19.50
		40	4.30	5.60	7.10	9.00	11.20	13.70	14.80	16.60	18.30
		45	3.90	5.10	6.60	8.30	10.40	12.80	13.80	15.50	17.00
		50	3.50	4.70	6.10	7.70	9.60	11.80	12.80	14.40	15.80
		55	3.10	4.30	5.50	7.00	8.80	10.90	11.80	13.30	14.60
		60	2.80	3.80	5.00	6.40	8.00	9.90	10.80	12.20	13.50
	62	2.70	3.70	4.80	6.20	7.70	9.60	10.40	11.70	13.00	
	P	30	2.10	2.40	2.60	2.80	3.00	3.10	3.10	3.20	3.20
		35	2.20	2.50	2.70	3.00	3.20	3.40	3.40	3.50	3.60
		40	2.30	2.60	2.90	3.10	3.40	3.60	3.70	3.80	3.90
		45	2.30	2.70	3.00	3.30	3.60	3.90	4.00	4.10	4.30
		50	2.40	2.70	3.10	3.50	3.80	4.10	4.30	4.40	4.60
		55	2.40	2.80	3.20	3.60	4.00	4.30	4.50	4.70	4.90
60		2.50	2.90	3.30	3.70	4.10	4.50	4.70	4.90	5.10	
62	2.50	2.90	3.30	3.70	4.20	4.60	4.80	5.00	5.20		

Notes:

Suction Gas Temperature 20°C
 Liquid subcooling 0K

Performance Data

Q=Capacity (kW) P=Power input (kW)

60 Hz

Model	Condensing Temperature °C	Evaporating Temperature °C															
		-50	-45	-40	-35	-30	-25	-20	-15	-10	-5	0	5	7	10	12.5	
LA10-0200	Q	25			1.30	1.80	2.50	3.40	4.40	5.70	7.10	8.80	10.80	13.10	14.00	15.60	17.00
		30			1.10	1.60	2.30	3.10	4.10	5.30	6.60	8.30	10.10	12.30	13.20	14.70	16.00
		35			1.00	1.40	2.10	2.80	3.80	4.90	6.20	7.70	9.40	11.50	12.40	13.80	15.00
		40			0.80	1.30	1.80	2.60	3.40	4.50	5.70	7.10	8.80	10.70	11.60	12.90	14.10
		45			0.70	1.10	1.60	2.30	3.10	4.10	5.20	6.60	8.20	10.00	10.80	12.10	13.20
		50			0.50	0.90	1.40	2.10	2.80	3.70	4.80	6.10	7.60	9.30	10.00	11.20	12.30
		55					1.30	1.80	2.50	3.40	4.40	5.60	7.00	8.60	9.30		
		60					1.10	1.60	2.30	3.10	4.00	5.10	6.40				
		62					1.00	1.50	2.20	2.90	3.80	4.90	6.20				
		P	25		1.20	1.30	1.50	1.70	1.80	1.90	2.00	2.00	2.00	2.00	2.00	1.90	1.80
			30		1.20	1.30	1.50	1.70	1.90	2.00	2.10	2.20	2.30	2.30	2.30	2.20	2.10
			35		1.10	1.30	1.50	1.70	1.90	2.10	2.30	2.40	2.50	2.50	2.50	2.50	2.50
			40		1.10	1.30	1.50	1.80	2.00	2.20	2.40	2.60	2.70	2.80	2.80	2.80	2.80
			45		1.10	1.30	1.50	1.80	2.00	2.30	2.50	2.70	2.90	3.00	3.00	3.10	3.10
		50		1.00	1.20	1.50	1.80	2.00	2.30	2.60	2.80	3.00	3.20	3.30	3.30	3.40	
		55				1.50	1.80	2.10	2.40	2.60	2.90	3.20	3.40	3.50			
		60				1.50	1.80	2.10	2.40	2.70	3.00	3.30					
		62				1.40	1.80	2.10	2.40	2.70	3.00	3.30					
LA20-0200	Q	25	0.70	1.20	1.80	2.60	3.50	4.70	6.10	7.70	9.70	11.90					
		30	0.60	1.00	1.60	2.30	3.20	4.30	5.70	7.20	9.10	11.20					
		35		0.90	1.40	2.10	2.90	4.00	5.30	6.70	8.50	10.50					
		40		0.70	1.20	1.90	2.70	3.70	4.80	6.30	7.90	9.80					
		45			1.00	1.60	2.40	3.30	4.40	5.80	7.40						
		50			0.90	1.40	2.10	3.00	4.10	5.30							
		55			0.70	1.20	1.90	2.70	3.70	4.90							
		P	25	1.10	1.30	1.50	1.70	1.90	2.20	2.40	2.50	2.60	2.70				
			30	1.00	1.20	1.50	1.70	2.00	2.20	2.50	2.70	2.90	3.00				
			35		1.20	1.50	1.70	2.00	2.30	2.60	2.80	3.00	3.20				
			40		1.20	1.40	1.70	2.00	2.40	2.70	3.00	3.20	3.40				
			45			1.40	1.70	2.00	2.40	2.70	3.10	3.40					
			50			1.40	1.70	2.00	2.40	2.80	3.20						
			55			1.30	1.70	2.00	2.40	2.80	3.20						
LA20-0300	Q	30			1.60	2.30	3.20	4.40	5.70	7.30	9.20	11.30	13.60	16.30	17.40	19.20	20.70
		35			1.40	2.10	2.90	4.00	5.30	6.80	8.60	10.60	12.80	15.30	16.40	18.10	19.60
		40			1.20	1.90	2.70	3.70	4.90	6.30	8.00	9.90	12.00	14.40	15.40	17.00	18.40
		45			1.10	1.60	2.40	3.30	4.50	5.80	7.40	9.20	11.20	13.50	14.40	16.00	17.30
		50			0.90	1.40	2.10	3.00	4.10	5.40	6.80	8.50	10.40	12.60	13.50	14.90	16.20
		55			0.70	1.20	1.90	2.70	3.70	4.90	6.30	7.90	9.70	11.70	12.50	13.90	15.10
		60					1.70	2.40	3.40	4.50	5.80	7.20	8.90	10.80	11.60		
		62					1.60	2.30	3.20	4.30	5.60	7.00	8.60	10.50	11.30		
		P	30		1.50	1.70	2.00	2.20	2.50	2.70	2.80	3.00	3.00	3.00	2.90	2.80	
			35		1.50	1.70	2.00	2.30	2.60	2.80	3.00	3.20	3.30	3.30	3.30	3.30	
			40		1.40	1.70	2.00	2.30	2.60	2.90	3.20	3.40	3.50	3.60	3.60	3.60	
			45		1.40	1.70	2.00	2.40	2.70	3.00	3.30	3.60	3.80	3.90	3.90	4.00	
			50		1.40	1.70	2.00	2.40	2.80	3.10	3.40	3.70	4.00	4.20	4.20	4.30	
			55			1.30	1.70	2.00	2.40	2.80	3.20	3.50	3.90	4.20	4.40	4.50	
		60				2.00	2.40	2.80	3.20	3.60	4.00	4.40	4.60	4.70			
		62				2.00	2.40	2.80	3.30	3.70	4.10	4.40	4.70	4.80			
LA40-0300	Q	25	1.30	2.00	2.80	4.00	5.40	7.00	9.00	11.30	14.00	17.10					
		30	1.10	1.70	2.60	3.60	4.90	6.50	8.40	10.60	13.20	16.10					
		35		1.50	2.30	3.30	4.50	6.00	7.80	9.90	12.40	15.20					
		40		1.30	2.00	3.00	4.10	5.60	7.30	9.30							
		45			2.70	3.80	5.10	6.70									
		50			2.40	3.40	4.70	6.20									
		55			2.10	3.00	4.20	5.70									
		P	25	1.40	1.70	2.00	2.30	2.60	2.90	3.20	3.40	3.60	3.70				
			30	1.40	1.70	2.00	2.30	2.70	3.00	3.30	3.60	3.90	4.10				
			35		1.70	2.00	2.40	2.80	3.10	3.50	3.90	4.20	4.50				
			40		1.70	2.00	2.40	2.80	3.20	3.70	4.10						
			45			2.40	2.90	3.30	3.80								
			50			2.40	2.90	3.40	3.90								
			55			2.40	2.90	3.50	4.10								

Notes:

Suction Gas Temperature 20°C
 Liquid subcooling 0K

Performance Data

60 Hz

Q=Capacity (kW) P=Power input (kW)

Model	Condensing Temperature °C	Evaporating Temperature °C													
		-40	-35	-30	-25	-20	-15	-10	-5	0	5	7	10	12.5	
LA40-0400	Q	30	2.60	3.60	5.00	6.60	8.50	10.80	13.30	16.20	19.50	23.00	24.60	27.00	29.10
		35	2.30	3.30	4.50	6.10	7.90	10.00	12.50	15.20	18.30	21.70	23.10	25.40	27.40
		40	2.10	3.00	4.10	5.60	7.30	9.30	11.60	14.20	17.10	20.30	21.70	23.80	25.70
		45		2.70	3.70	5.10	6.70	8.60	10.80	13.20	16.00	19.00	20.30	22.30	24.10
		50		2.40	3.40	4.70	6.20	7.90	10.00	12.30	14.90	17.70	19.00	20.90	22.60
		55		2.10	3.00	4.20	5.60	7.30	9.20	11.40	13.80				
		60			2.70	3.80	5.20	6.70	8.50						
		62			2.60	3.70	5.00	6.50	8.20						
	P	30	2.00	2.40	2.70	3.00	3.40	3.60	3.90	4.10	4.20	4.20	4.20	4.10	4.00
		35	2.00	2.40	2.80	3.10	3.50	3.80	4.10	4.40	4.60	4.70	4.70	4.70	4.60
		40	2.00	2.40	2.80	3.20	3.60	4.00	4.40	4.70	4.90	5.10	5.20	5.20	5.20
		45		2.40	2.90	3.30	3.80	4.20	4.60	5.00	5.30	5.50	5.60	5.70	5.80
		50		2.40	2.90	3.40	3.90	4.30	4.80	5.20	5.60	5.90	6.10	6.20	6.30
		55		2.50	2.90	3.40	4.00	4.50	5.00	5.50	5.90				
60			3.00	3.50	4.10	4.60	5.20								
62			3.00	3.50	4.10	4.70	5.30								

Notes:

Suction Gas Temperature 20°C

Liquid subcooling 0K

Performance Data

Q=Capacity (kW) P=Power input (kW)

60 Hz

Model	Condensing Temperature °C	Evaporating Temperature °C															
		-50	-45	-40	-35	-30	-25	-20	-15	-10	-5	0	5	7	10	12.5	
LA10-020E	Q	20			1.80	2.50	3.30	4.30	5.50	6.90	8.60	10.60	12.80	15.40	16.50	18.30	19.80
		25			1.50	2.20	3.00	4.00	5.10	6.40	8.00	9.80	11.90	14.30	15.40	17.10	18.60
		30			1.20	1.90	2.70	3.60	4.60	5.90	7.40	9.10	11.10	13.30	14.30	15.90	17.30
		35			1.00	1.60	2.30	3.20	4.20	5.40	6.70	8.30	10.20	12.20	13.20	14.60	15.90
		40			0.70	1.30	2.00	2.80	3.70	4.80	6.10	7.50	9.20	11.20	12.00	13.40	14.60
		45				1.00	1.60	2.40	3.20	4.20	5.40	6.70	8.30	10.10	10.80	12.10	13.20
		50				0.70	1.30	2.00	2.80	3.70	4.70	5.90	7.30	8.90	9.60	10.80	
	55					1.00	1.60	2.30	3.10	4.00	5.10	6.40	7.80				
	P	20			1.10	1.30	1.50	1.60	1.80	1.90	1.90	2.00	1.90	1.90	1.80	1.80	1.70
		25			1.10	1.30	1.50	1.70	1.80	2.00	2.10	2.20	2.20	2.20	2.20	2.10	2.00
		30			1.00	1.30	1.50	1.70	1.90	2.10	2.20	2.30	2.40	2.50	2.50	2.40	2.40
		35			1.00	1.20	1.50	1.70	1.90	2.10	2.30	2.50	2.60	2.70	2.70	2.80	2.80
		40			0.90	1.10	1.40	1.70	1.90	2.20	2.40	2.60	2.80	3.00	3.00	3.10	3.10
		45				1.10	1.40	1.70	1.90	2.20	2.50	2.80	3.00	3.20	3.20	3.30	3.40
50					1.00	1.30	1.60	1.90	2.30	2.60	2.90	3.10	3.40	3.50	3.60		
55					1.20	1.50	1.90	2.30	2.60	2.90	3.30	3.60					
LA20-020E	Q	20	1.00	1.60	2.40	3.30	4.40	5.70	7.20								
		25	0.70	1.30	2.10	2.90	3.90	5.20	6.60								
		30		1.10	1.70	2.60	3.50	4.60	6.00								
		35		0.80	1.40	2.20	3.10	4.10	5.40								
		40			1.20	1.90	2.70	3.60	4.80								
		45			0.90	1.50	2.30	3.10	4.20								
		50				1.20	1.90	2.70	3.60								
	55				0.90	1.50	2.20	3.10									
	P	20	0.90	1.10	1.40	1.60	1.90	2.10	2.30								
		25	0.80	1.10	1.40	1.60	1.90	2.20	2.40								
		30		1.10	1.40	1.70	1.90	2.20	2.50								
		35		1.00	1.40	1.70	2.00	2.30	2.60								
		40			1.30	1.70	2.00	2.30	2.70								
		45			1.30	1.60	2.00	2.30	2.70								
50					1.60	2.00	2.40	2.70									
55				1.60	2.00	2.40	2.80										
LA20-030E	Q	20		1.90	2.60	3.60	4.80	6.20	7.80	9.70	12.00	14.50	17.40	20.60	22.00		
		25		1.60	2.30	3.30	4.30	5.70	7.20	9.00	11.10	13.50	16.20	19.20	20.50		
		30		1.30	2.00	2.90	3.90	5.10	6.60	8.30	10.20	12.40	15.00	17.80	19.10		
		35		1.10	1.80	2.60	3.50	4.60	6.00	7.50	9.30	11.40	13.80	16.40	17.60		
		40		0.80	1.50	2.20	3.10	4.20	5.40	6.80	8.50	10.40	12.60	15.10	16.20		
		45		0.60	1.20	1.90	2.70	3.70	4.80	6.10	7.60	9.40	11.50	13.80	14.80		
		50			0.90	1.60	2.30	3.20	4.20	5.40	6.80	8.40	10.30	12.40	13.40		
	55			0.70	1.20	1.90	2.70	3.60	4.70	6.00	7.50						
	P	20		1.40	1.70	1.90	2.10	2.20	2.40	2.40	2.50	2.40	2.30	2.20	2.10		
		25		1.40	1.70	1.90	2.20	2.40	2.50	2.70	2.80	2.80	2.80	2.70	2.70		
		30		1.40	1.70	2.00	2.20	2.50	2.70	2.90	3.00	3.20	3.20	3.20	3.20		
		35		1.30	1.60	2.00	2.30	2.60	2.80	3.10	3.30	3.40	3.60	3.70	3.70		
		40		1.20	1.60	1.90	2.30	2.60	2.90	3.20	3.50	3.70	3.90	4.00	4.10		
		45		1.10	1.50	1.90	2.20	2.60	3.00	3.30	3.60	3.90	4.20	4.40	4.40		
50				1.40	1.80	2.20	2.60	3.00	3.40	3.70	4.10	4.40	4.70	4.80			
55			1.30	1.70	2.10	2.50	3.00	3.40	3.80	4.20							
LA40-030E	Q	20	1.70	2.60	3.70	5.10	6.80	8.70	11.00								
		25	1.30	2.20	3.30	4.60	6.20	8.00	10.20								
		30	1.00	1.80	2.90	4.10	5.60	7.30	9.40								
		35		1.50	2.40	3.60	5.00	6.60	8.50								
		40		1.10	2.00	3.10	4.40	5.90	7.70								
		45			1.60	2.60	3.80	5.20	6.80								
		50			1.20	2.10	3.20	4.50	6.00								
	55				1.60	2.60	3.80	5.20									
	P	20	1.40	1.80	2.10	2.40	2.70	3.00	3.30								
		25	1.40	1.70	2.10	2.50	2.80	3.20	3.50								
		30	1.20	1.60	2.00	2.50	2.90	3.30	3.70								
		35		1.50	2.00	2.40	2.90	3.40	3.80								
		40		1.40	1.90	2.40	2.90	3.40	3.90								
		45			1.70	2.30	2.90	3.40	4.00								
50				1.60	2.20	2.80	3.40	4.10									
55				2.00	2.70	3.40	4.10										

Notes:

Suction Gas Temperature 20°C
 Liquid subcooling 0K

Performance Data

60 Hz

Q=Capacity (kW) P=Power input (kW)

Model	Condensing Temperature °C	Evaporating Temperature °C												
		-45	-40	-35	-30	-25	-20	-15	-10	-5	0	5	7	
LA40-040E	Q	20	2.70	3.70	5.00	6.60	8.50	10.80	13.50	16.50	20.00	24.00	28.60	30.50
		25	2.30	3.30	4.60	6.10	7.90	10.00	12.50	15.40	18.80	22.60	26.90	28.70
		30	2.00	2.90	4.10	5.50	7.20	9.20	11.60	14.30	17.50	21.10	25.10	26.90
		35	1.70	2.50	3.60	4.90	6.50	8.40	10.60	13.20	16.20	19.60	23.40	25.10
		40	1.30	2.10	3.10	4.40	5.80	7.60	9.60	12.10	14.80	18.00	21.70	23.30
		45	1.00	1.80	2.70	3.80	5.10	6.70	8.70	10.90	13.50	16.50	19.90	21.40
		50		1.40	2.20	3.20	4.50	5.90	7.70	9.70	12.20			
	55		1.00	1.80	2.70	3.80	5.10	6.70						
	P	20	2.00	2.30	2.60	2.90	3.20	3.40	3.70	3.90	4.10	4.30	4.40	4.40
		25	1.90	2.20	2.60	2.90	3.20	3.50	3.80	4.10	4.30	4.50	4.60	4.60
		30	1.90	2.20	2.60	2.90	3.30	3.60	4.00	4.30	4.50	4.70	4.90	5.00
		35	1.80	2.20	2.60	3.00	3.40	3.80	4.20	4.50	4.80	5.10	5.30	5.40
		40	1.70	2.10	2.60	3.00	3.50	4.00	4.40	4.80	5.20	5.50	5.80	5.90
		45	1.50	2.00	2.50	3.10	3.60	4.10	4.60	5.10	5.50	5.90	6.30	6.40
50			1.80	2.40	3.00	3.60	4.20	4.80	5.30	5.90				
55		1.40	2.10	2.80	3.50	4.20	4.90							

Notes:

Suction Gas Temperature 20°C
 Liquid subcooling 0K

Performance Data

60 Hz

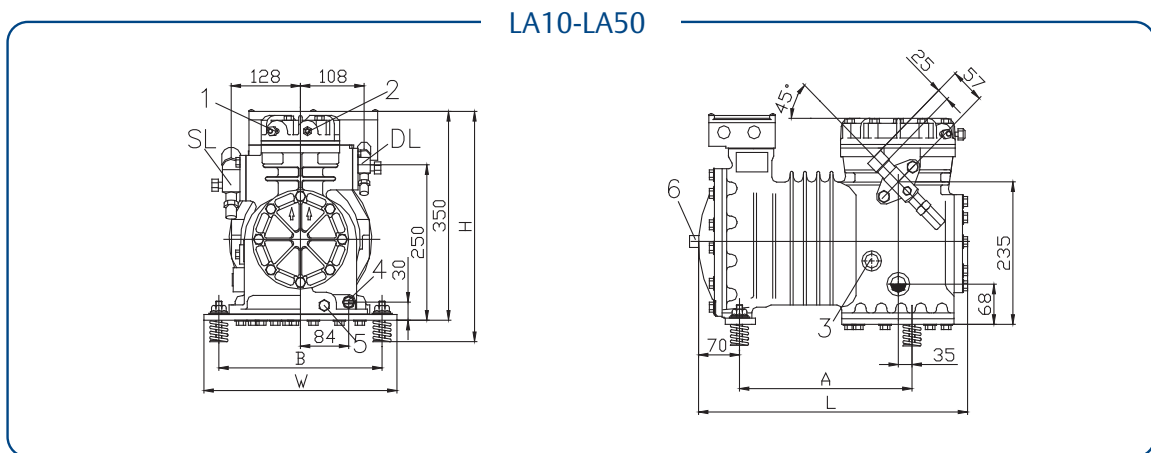
Q=Capacity (kW) P=Power input (kW)

Model	Condensing Temperature °C	Evaporating Temperature °C									
		-20	-15	-10	-5	0	5	7	10	12.5	
LA10-020E	Q	30	2.30	3.10	4.00	5.00	6.30	7.80	8.40	9.40	10.40
		35	2.00	2.80	3.60	4.60	5.80	7.20	7.80	8.80	9.60
		40	1.80	2.50	3.30	4.20	5.30	6.60	7.20	8.10	8.90
		45	1.60	2.20	3.00	3.80	4.90	6.10	6.60	7.40	8.20
		50	1.40	2.00	2.70	3.50	4.40	5.50	6.00	6.80	7.50
		55	1.20	1.80	2.40	3.10	4.00	5.00	5.40	6.20	6.80
		60	1.10	1.60	2.10	2.80	3.60	4.50	4.90	5.50	6.10
	62	1.00	1.50	2.00	2.70	3.40	4.30	4.70	5.30	5.80	
	P	30	1.20	1.30	1.40	1.50	1.50	1.60	1.60	1.60	1.50
		35	1.20	1.30	1.50	1.60	1.60	1.70	1.70	1.70	1.70
		40	1.20	1.40	1.50	1.60	1.70	1.80	1.90	1.90	1.90
		45	1.20	1.40	1.60	1.70	1.80	2.00	2.00	2.10	2.10
		50	1.20	1.40	1.60	1.80	1.90	2.10	2.10	2.20	2.30
		55	1.30	1.40	1.60	1.80	2.00	2.20	2.30	2.40	2.40
60		1.30	1.50	1.70	1.90	2.10	2.30	2.40	2.50	2.60	
62	1.30	1.50	1.70	1.90	2.10	2.30	2.40	2.60	2.70		
LA20-020E	Q	30	3.10	4.10	5.30	6.70	8.30	10.20	11.10	12.40	13.60
		35	2.80	3.80	4.90	6.20	7.70	9.50	10.30	11.60	12.70
		40	2.60	3.40	4.50	5.70	7.20	8.80	9.60	10.80	11.90
		45	2.30	3.10	4.10	5.20	6.60	8.20	8.90	10.00	11.00
		50	2.00	2.80	3.70	4.80	6.00	7.50	8.10	9.20	10.20
		55	1.70	2.50	3.30	4.30	5.50	6.80	7.40	8.40	9.30
		60	1.50	2.20	3.00	3.90	4.90	6.20	6.70	7.60	8.50
	62	1.40	2.10	2.80	3.70	4.70	5.90	6.40	7.30	8.20	
	P	30	1.40	1.60	1.70	1.80	1.90	1.90	1.90	1.90	1.90
		35	1.40	1.60	1.80	1.90	2.00	2.10	2.10	2.10	2.10
		40	1.50	1.70	1.90	2.00	2.20	2.30	2.30	2.40	2.40
		45	1.50	1.70	1.90	2.10	2.30	2.50	2.50	2.60	2.60
		50	1.50	1.80	2.00	2.20	2.40	2.60	2.70	2.70	2.80
		55	1.50	1.80	2.00	2.30	2.50	2.70	2.80	2.90	3.00
60		1.50	1.80	2.10	2.30	2.60	2.80	2.90	3.00	3.00	
62	1.50	1.80	2.10	2.40	2.60	2.90	3.00	3.10	3.10		
LA40-030E	Q	30	4.50	5.90	7.60	9.60	12.00	14.70	15.90	17.80	19.60
		35	4.10	5.50	7.10	8.90	11.20	13.80	14.90	16.70	18.40
		40	3.70	5.00	6.50	8.30	10.40	12.80	13.90	15.60	17.20
		45	3.30	4.50	5.90	7.60	9.60	11.90	12.90	14.50	16.00
		50	2.90	4.10	5.40	6.90	8.80	10.90	11.90	13.40	14.80
		55	2.50	3.60	4.90	6.30	8.00	10.00	10.90	12.30	13.60
		60	2.20	3.20	4.30	5.70	7.20	9.10	9.90	11.20	12.50
	62	2.00	3.00	4.10	5.40	6.90	8.70	9.50	10.80	12.10	
	P	30	2.10	2.30	2.50	2.70	2.90	3.00	3.00	3.00	3.00
		35	2.20	2.40	2.70	2.90	3.10	3.30	3.30	3.40	3.40
		40	2.20	2.50	2.80	3.10	3.30	3.60	3.70	3.80	3.80
		45	2.30	2.60	2.90	3.30	3.60	3.90	4.00	4.10	4.20
		50	2.30	2.60	3.00	3.40	3.80	4.10	4.30	4.50	4.60
		55	2.30	2.70	3.10	3.50	4.00	4.40	4.50	4.80	5.00
60		2.30	2.70	3.20	3.70	4.10	4.60	4.80	5.10	5.30	
62	2.30	2.70	3.20	3.70	4.20	4.70	4.90	5.20	5.40		

Notes:

Suction Gas Temperature 20°C
 Liquid subcooling 0K

Dimensional Drawing

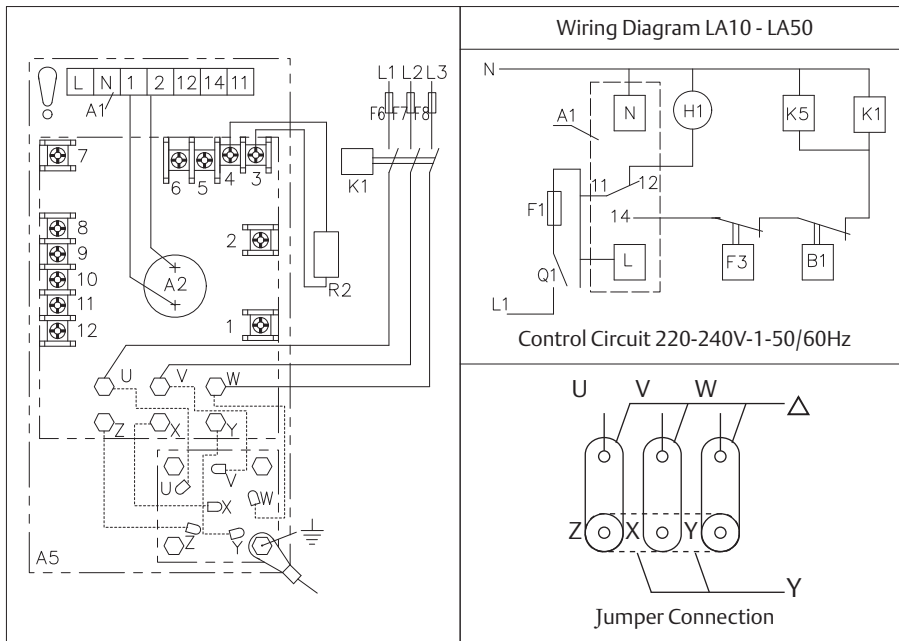


SL – Suction Line (rotalock) DL – Discharge Line (rotalock)

1. Schrader-low pressure connection	1/8" - 27NPTF	4. Sleeve (Crankcase heater)	3/8" - 18NPSL
2. Schrader - high-pressure connection	1/8" - 27NPTF	5. Plug	1/4" - 18NPTF
3. Plug Oil Charge	1/4" - 18NPTF	6. Magnetic Plug	1/8" - 27NPTF

MODEL	SL Ø (Suction Line)	DL Ø (Discharge Line)	A (Mounting Length)	B (Mounting Length)	L (Length)	W (Width)	H (Height)
LA10-0200/LA10-020E	22 mm	15 mm	295 mm	279 mm	460 mm	330 mm	385 mm
LA20-0200/LA20-020E	22 mm	15 mm	295 mm	279 mm	460 mm	330 mm	385 mm
LA20-0300/LA20-030E	22 mm	15 mm	295 mm	279 mm	460 mm	330 mm	385 mm
LA40-0300/LA40-030E	28 mm	15 mm	295 mm	279 mm	460 mm	330 mm	385 mm
LA40-0400/LA40-040E	28 mm	15 mm	295 mm	279 mm	460 mm	330 mm	385 mm
LA50-0400/LA50-040E	28 mm	15 mm	295 mm	279 mm	460 mm	330 mm	385 mm

Wiring Diagram

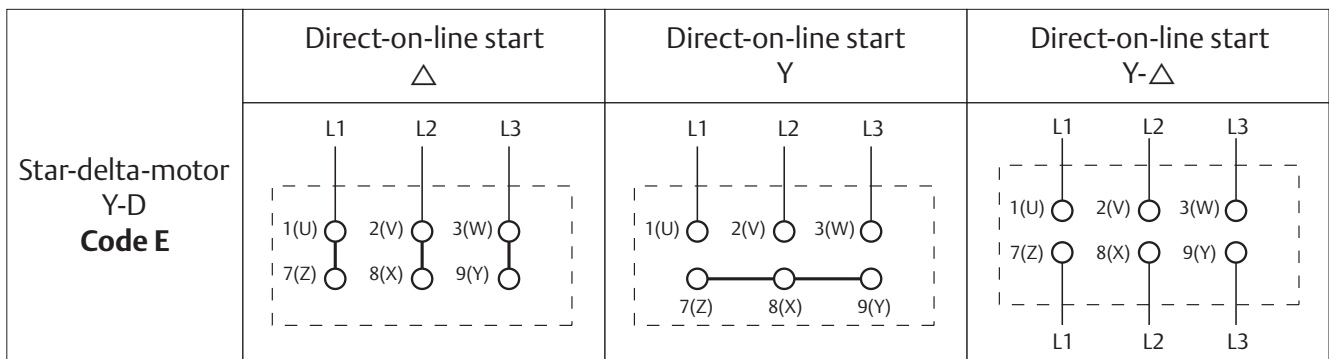


Electrical Diagram Coding

- A1: Motor protection module
- A2: Thermistor
- A5: Terminal box
- B1: Thermostat
- F1: Fuse for control circuit
- F3: H/L pressure relays
- F6, F7, F8: Fuses for main circuit
- H1: Alarm indicator
- K1: Compressor contactor coil
- K5: Fan motor contactor coil
- L: Phase Voltage
- L1, L2, L3: Voltage connection:
380-420V-3-50/60 Hz-Y
220-240V-3-50/60Hz -Delta
- N: Neutral connection
- Q1: Main Switch
- R2: Crankcase heater
- U, V, W, X, Y, Z: Phase Voltages
- 1-12, : Accessory Connectors

Note: In A1 there is another 1 and 2, 11, 12, 14 (Terminals of Motor Protection Module)
A switch can be added to the crankcase heater circuit.

Terminal Jumper Schematics



Motor Current Data (A)

Star (Y) Connection R22 (400V-3-50Hz/380V-3-60Hz) $t_c=40^\circ\text{C(CT)}$

Model	Evaporating temperature $^\circ\text{C}$													
	-50	-45	-40	-35	-30	-25	-20	-15	-10	-5	0	5	10	12.5
LA10-0200			3.5/4.2	3.6/4.3	3.7/4.4	3.8/4.6	4.0/4.8	4.1/5.0	4.3/5.1	4.4/5.3	4.5/5.4	4.6/5.5	4.7/5.6	4.7/5.6
LA20-0200		3.4/4.1	3.6/4.3	3.7/4.5	4.0/4.8	4.2/5.1	4.5/5.4	4.7/5.7	5.0/6.0	5.2/6.3				
LA20-0300			3.7/4.5	3.9/4.7	4.2/5.0	4.4/5.3	4.7/5.6	4.9/5.9	5.2/6.2	5.4/6.5	5.5/6.6	5.6/6.8	5.7/6.8	5.6/6.8
LA40-0300		4.1/4.9	4.3/5.2	4.6/5.6	5.0/6.0	5.4/6.5	5.8/6.9	6.2/7.4						
LA40-0400			4.3/5.2	4.6/5.6	5.0/6.0	5.4/6.4	5.8/6.9	6.2/7.4	6.5/7.8	6.9/8.2	7.1/8.6	7.3/8.8	7.4/8.9	7.5/9.0
LA50-0400	4.2/N/A	4.5/N/A	5.0/N/A	5.5/N/A	6.0/N/A	6.5/N/A	7.0/N/A							

Star (Y) Connection R404A/R507 (400V-3-50Hz/380V-3-60Hz) $t_c=40^\circ\text{C(CT)}$

Model	Evaporating temperature $^\circ\text{C}$													
	-50	-45	-40	-35	-30	-25	-20	-15	-10	-5	0	5	10	12.5
LA10-020E			2.7/3.2	2.9/3.5	3.2/3.8	3.4/4.1	3.7/4.4	3.9/4.7	4.2/5.0	4.2/5.3	4.6/5.6	4.8/5.8	4.9/5.9	5.0/6.0
LA20-020E			2.7/3.3	3.0/3.6	3.4/4.0	3.7/4.5	4.2/5.0							
LA20-030E		3.9/4.7	4.1/4.9	4.4/5.2	4.6/5.5	4.8/5.8	5.1/6.1	5.3/6.4	5.5/6.6	5.8/6.9	6.0/7.2	6.1/7.4		
LA40-030E		3.4/4.1	3.8/4.6	4.3/5.2	4.9/5.9	5.5/6.6	6.2/7.4							
LA40-040E		4.3/5.1	4.6/5.5	4.9/5.9	5.3/6.4	5.8/7.0	6.3/7.5	6.7/8.1	7.2/8.6	7.6/9.1	7.9/9.5	8.2/9.8		
LA50-040E	4.2/N/A	4.7/N/A	5.4/N/A	6.2/N/A	7.0/N/A	7.9/N/A								

Star (Y) Connection R134a (400V-3-50Hz/380V-3-60Hz) $t_c=40^\circ\text{C(CT)}$

Model	Evaporating temperature $^\circ\text{C}$													
	-50	-45	-40	-35	-30	-25	-20	-15	-10	-5	0	5	10	12.5
LA10-020E							2.8/3.3	2.9/3.5	3.0/3.6	3.2/3.8	3.3/3.9	3.4/4.0	3.4/4.1	3.5/4.2
LA20-020E							2.8/3.4	3.0/3.6	3.1/3.8	3.3/4.0	3.4/4.1	3.6/4.3	3.6/4.3	3.6/4.4
LA40-030E							4.2/5.1	4.5/5.4	4.7/5.7	5.0/6.0	5.2/6.3	5.5/6.6	5.6/6.8	5.7/6.9
LA50-040E							5.1/N/A	5.4/N/A	5.8/N/A	6.1/N/A	6.5/N/A	6.8/N/A	7.0/N/A	7.1/N/A

Delta Connection R22 (230V-3-50Hz/230V-3-60Hz) $t_c=40^\circ\text{C(CT)}$

Model	Evaporating temperature $^\circ\text{C}$													
	-50	-45	-40	-35	-30	-25	-20	-15	-10	-5	0	5	10	12.5
LA10-0200			6.1/7.4	6.3/7.5	6.4/7.7	6.6/8.1	6.9/8.4	7.1/8.8	7.4/8.9	7.6/9.3	7.8/9.5	8.0/9.6	8.1/9.8	8.1/9.8
LA20-0200		5.9/7.2	6.3/7.5	6.4/7.9	6.9/8.4	7.3/8.9	7.8/9.4	8.1/10.0	8.7/10.5	9.0/11.0				
LA20-0300			6.4/7.9	6.7/8.2	7.3/8.8	7.6/9.3	8.1/9.8	8.5/10.3	9.0/10.9	9.3/11.4	9.5/11.6	9.7/11.9	9.9/11.9	9.7/11.9
LA40-0300		7.1/8.6	7.4/9.1	8.0/9.8	8.7/10.5	9.3/11.4	10.0/12.0	10.7/13.0						
LA40-0400			7.4/9.1	8.0/9.8	8.7/10.5	9.3/11.2	10.0/12.1	10.7/13.0	11.2/13.7	11.9/14.4	12.3/15.1	12.6/15.4	12.8/15.6	13.0/15.8
LA50-0400	7.3/N/A	7.8/N/A	8.7/N/A	9.5/N/A	10.4/N/A	11.2/N/A	12.1/N/A							

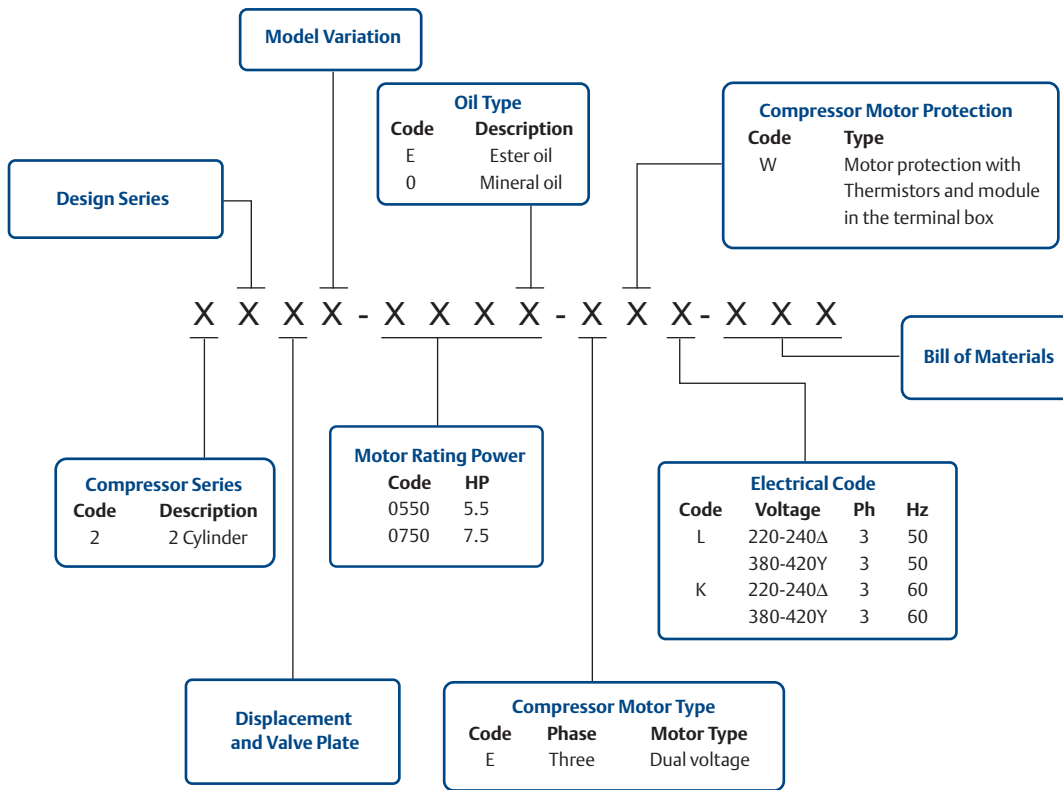
Delta Connection R404A/R507 (230V-3-50Hz/230V-3-60Hz) $t_c=40^\circ\text{C(CT)}$

Model	Evaporating temperature $^\circ\text{C}$													
	-50	-45	-40	-35	-30	-25	-20	-15	-10	-5	0	5	10	12.5
LA10-020E			4.7/5.6	5.0/6.1	5.5/6.7	5.9/7.2	6.4/7.7	6.7/8.2	7.3/8.8	7.3/9.3	8.0/9.8	8.3/10.2	8.5/10.3	8.7/10.5
LA20-020E			4.7/5.8	5.2/6.3	5.9/7.0	6.4/7.9	7.3/8.8							
LA20-030E		6.7/8.2	7.1/8.6	7.6/9.1	8.0/9.6	8.3/10.2	8.8/10.7	9.2/11.2	9.5/11.6	10.0/12.1	10.4/12.6	10.6/13.0		
LA40-030E		5.9/7.2	6.6/8.1	7.4/9.1	8.5/10.3	9.5/11.6	10.7/13.0							
LA40-040E		7.4/8.9	8.0/9.6	8.5/10.3	9.2/11.2	10.0/12.3	10.9/13.1	11.6/14.2	12.5/15.1	13.1/15.9	13.4/16.6	14.2/17.2		
LA50-040E		7.3/N/A	8.1/N/A	9.3/N/A	10.7/N/A	12.1/N/A	13.7/N/A							

Delta Connection R134a (230V-3-50Hz/230V-3-60Hz) $t_c=40^\circ\text{C(CT)}$

Model	Evaporating temperature $^\circ\text{C}$													
	-50	-45	-40	-35	-30	-25	-20	-15	-10	-5	0	5	10	12.5
LA10-020E							4.8/5.8	5.0/6.1	5.2/6.3	5.5/6.7	5.7/6.8	5.9/7.0	5.9/7.2	6.1/7.4
LA20-020E							4.8/6.0	5.2/6.3	5.4/6.7	5.7/7.0	5.9/7.2	6.2/7.5	6.3/7.5	6.2/7.7
LA40-030E							7.3/8.9	7.8/9.5	8.1/10.0	8.7/10.5	9.0/11.0	9.5/11.6	9.7/11.9	9.9/12.1
LA50-040E							8.8/N/A	9.3/N/A	10.0/N/A	10.6/N/A	11.2/N/A	11.8/N/A	12.11/N/A	12.3/N/A

Model Nomenclature & Bill of Materials



Bill of Materials (BOM)

2S Series	000
Mounting Parts	√
Rotalock/Service Valve	√
Crankcase Heater	√
Electronic Oil Pressure Switch (OPS2)	√
Motor Protection Module	√

Performance Data

Q=Capacity (kW) P=Power input (kW)

50 Hz

Model	Condensing Temperature °C	Evaporating Temperature °C									
		-45	-40	-35	-30	-25	-20	-15	-10	-5	
2SCW-0550	Q	10	4.10	5.70	7.60	9.80	12.50	15.50	19.10	23.10	
	15	3.60	5.20	7.10	9.20	11.80	14.80	18.20	22.10		
	20	3.10	4.70	6.50	8.60	11.10	14.00	17.30	21.00		
	25	2.60	4.20	5.90	8.00	10.40	13.20	16.40	20.00		
	30	2.10	3.60	5.30	7.30	9.60	12.30	15.40	19.00		
	35	1.70	3.10	4.70	6.70	8.90	11.50	14.50	17.90		
	40		2.60	4.20	6.00	8.20	10.70	13.60	16.90		
	45			3.60	5.40	7.50	9.80	12.60	15.80		
	50				4.80	6.70	9.00	11.70	14.80		
	55					6.00	8.20	10.80	13.70		
	60						7.40	9.80	12.70		
	62						7.10	9.50	12.20		
	P	10	2.40	2.70	2.90	3.10	3.20	3.20	3.10	2.90	
	15	2.40	2.80	3.10	3.30	3.50	3.50	3.60	3.60	3.50	
20	2.50	2.80	3.20	3.50	3.80	3.80	3.90	4.00	4.00		
25	2.50	2.90	3.30	3.70	4.00	4.00	4.30	4.40	4.50		
30	2.40	2.90	3.40	3.80	4.20	4.50	4.80	4.80	5.00		
35	2.40	2.90	3.40	3.90	4.40	4.80	5.20	5.20	5.50		
40		2.90	3.40	4.00	4.60	5.10	5.50	5.50	5.90		
45			3.40	4.10	4.70	5.30	5.80	5.80	6.30		
50				3.50	4.20	4.90	5.60	6.20	6.70		
55					4.20	5.00	5.70	6.50	7.10		
60						5.00	6.00	6.80	7.50		
62							6.00	6.80	7.70		
2SKW-0750	Q	10	5.50	7.30	9.40	11.90	14.90	18.40	22.50	27.20	
	15	4.90	6.70	8.80	11.30	14.20	17.50	21.40	26.00		
	20	4.40	6.10	8.20	10.60	13.40	16.60	20.40	24.70		
	25	3.80	5.50	7.70	9.90	12.60	15.70	19.30	23.50		
	30	3.30	4.90	7.10	9.20	11.80	14.80	18.30	22.20		
	35	2.70	4.30	6.20	8.60	11.00	13.90	17.20	21.00		
	40		3.70	5.50	7.60	10.30	13.00	16.10	19.80		
	45			4.90	6.90	9.50	12.10	15.10	18.50		
	50				6.20	8.30	11.20	14.00	17.30		
	55					7.50	9.90	13.00	16.10		
	60						9.00	12.00	14.90		
	62						8.70	11.50	14.40		
	P	10	2.90	3.20	3.50	3.70	3.80	3.70	3.50	3.10	
	15	3.00	3.40	3.70	4.00	4.20	4.30	4.30	4.20	3.90	
20	3.10	3.50	3.90	4.20	4.50	4.70	4.70	4.80	4.70		
25	3.10	3.60	4.00	4.40	4.80	5.10	5.30	5.30	5.40		
30	3.20	3.60	4.10	4.60	5.10	5.50	5.80	5.80	6.00		
35	3.20	3.70	4.20	4.70	5.30	5.80	6.20	6.20	6.60		
40		3.70	4.20	4.80	5.50	6.10	6.60	6.60	7.10		
45			4.30	5.00	5.60	6.30	7.00	7.00	7.60		
50				5.10	5.80	6.60	7.30	7.30	8.10		
55					6.00	6.80	7.70	7.70	8.50		
60						7.10	8.00	8.00	9.00		
62						7.20	8.20	8.20	9.20		
2SCW-0550 Air	Q	10	3.50	4.80	6.40	8.20	10.50	13.10	16.10	23.60	
	15	3.20	4.40	5.90	7.70	9.90	12.40	15.30	18.70	22.50	
	20	2.90	4.10	5.50	7.20	9.30	11.70	14.50	17.70	21.40	
	25	2.60	3.80	5.10	6.80	8.70	11.00	13.70	16.80	20.30	
	30	2.30	3.40	4.70	6.30	8.10	10.30	12.90	15.80		
	35	2.10	3.10	4.40	5.80	7.60	9.70				
	40	1.40	2.80	4.00	5.40	7.10					
	45	1.10	2.50	3.60	5.00						
	50		1.80	3.30	4.60						
	55		1.50	3.00	4.20						
	P	10	2.00	2.30	2.50	2.80	3.00	3.10	3.10	3.00	2.80
	15	2.00	2.40	2.70	3.00	3.20	3.40	3.50	3.50	3.40	
	20	2.10	2.40	2.80	3.10	3.50	3.70	3.90	4.00	4.00	
	25	2.10	2.50	2.90	3.30	3.70	4.00	4.20	4.40	4.50	
30	2.10	2.50	3.00	3.40	3.80	4.20	4.60	4.80			
35	2.10	2.50	3.00	3.50	4.00	4.50					
40	2.00	2.60	3.10	3.60	4.20						
45	2.00	2.60	3.10	3.70							
50		2.60	3.20	3.80							
55		2.50	3.20	3.90							

Notes:

1. Suction Gas Temperature 20°C
2. Suction Superheat 20K
3. Suction Superheat 20K + Fan
4. Liquid subcooling 0K

Performance Data

Q=Capacity (kW) P=Power input (kW)

50 Hz

Model	Condensing Temperature °C	Evaporating Temperature °C									
		-45	-40	-35	-30	-25	-20	-15	-10	-5	
2SCW-055E	Q	20	3.20	4.40	6.00	7.90	10.20	12.90	16.00	19.60	23.60
		25	2.80	4.00	5.50	7.40	9.50	12.10	15.00	18.40	22.30
		30	2.20	3.60	5.10	6.80	8.80	11.20	14.00	17.20	20.90
		35	1.90	3.20	4.60	6.20	8.10	10.40	13.00	16.00	19.50
		40	1.50	2.50	4.00	5.50	7.30	9.40	11.90	14.70	18.00
		45	1.20	2.10	3.50	4.90	6.50	8.50	10.80	13.40	16.40
		50		1.60	2.60	4.30	5.80	7.50	9.60	12.10	14.90
	55		1.20	2.10	3.60	5.00	6.60	8.50	10.70	13.30	
	P	20	2.20	2.70	3.10	3.50	3.90	4.20	4.40	4.50	4.50
		25	2.20	2.70	3.20	3.70	4.10	4.50	4.80	5.00	5.20
		30	2.10	2.70	3.20	3.80	4.30	4.80	5.20	5.50	5.80
		35	2.00	2.60	3.20	3.80	4.40	5.00	5.50	5.90	6.30
		40	1.90	2.50	3.20	3.80	4.50	5.10	5.70	6.30	6.80
		45	1.80	2.40	3.10	3.80	4.50	5.30	5.90	6.60	7.20
50			2.30	3.00	3.80	4.50	5.30	6.10	6.80	7.50	
55		2.10	2.90	3.70	4.50	5.30	6.20	7.00	7.80		
2SKW-075E	Q	20	3.60	5.20	7.10	9.40	12.10	15.30	19.00	23.20	28.10
		25	3.10	4.60	6.40	8.60	11.10	14.10	17.50	21.50	26.10
		30	2.60	4.10	5.80	7.80	10.20	12.90	16.10	19.80	24.10
		35	2.10	3.50	5.10	7.00	9.20	11.70	14.70	18.20	22.10
		40	1.60	2.90	4.40	6.20	8.20	10.60	13.30	16.50	20.10
		45	1.20	2.40	3.80	5.40	7.30	9.40	11.90	14.80	18.10
		50		1.90	3.20	4.70	6.30	8.30	10.50	13.10	16.10
	55		1.50	2.70	4.00	5.50	7.20	9.20	11.50	14.20	
	P	20	2.70	3.30	3.80	4.20	4.70	5.10	5.40	5.70	5.90
		25	2.70	3.30	3.90	4.40	4.90	5.40	5.80	6.20	6.50
		30	2.70	3.30	3.90	4.50	5.10	5.70	6.20	6.70	7.10
		35	2.60	3.30	4.00	4.60	5.30	5.90	6.60	7.10	7.70
		40	2.60	3.30	4.00	4.70	5.40	6.10	6.80	7.50	8.20
		45	2.50	3.20	4.00	4.70	5.50	6.30	7.10	7.90	8.60
50			3.20	4.00	4.80	5.60	6.50	7.30	8.20	9.00	
55		3.10	3.90	4.80	5.70	6.60	7.50	8.40	9.40		

Notes:

- Suction Gas Temperature 20°C
- Suction Gas Temperature 0°C
- Suction Gas Temperature 0°C + Fan
- Liquid subcooling OK

Performance Data

Q=Capacity (kW) P=Power input (kW)

50 Hz

Model	Condensing Temperature °C	Evaporating Temperature °C										
		-20	-15	-10	-5	0	5	7	10	12.5		
2SCW-055E	Q	20	6.50	8.40	10.70	13.40	16.60	20.40	22.10			
		25	6.20	8.00	10.20	12.80	15.80	19.40	21.00	23.50	25.80	
		30	5.90	7.60	9.60	12.10	15.00	18.40	19.90	22.30	24.40	
		35	5.50	7.10	9.10	11.40	14.10	17.30	18.70	21.00	23.00	
		40	5.20	6.70	8.50	10.70	13.20	16.20	17.50	19.70	21.60	
		45	4.80	6.20	7.90	9.90	12.30	15.10	16.30	18.30	20.10	
		50	4.40	5.70	7.30	9.20	11.40	14.00	15.10	16.90	18.60	
		55	3.70	5.20	6.70	8.40	10.50	12.80	13.90	15.60	17.10	
		60	3.30	4.70	6.10	7.60	9.50	11.70	12.60	14.10	15.50	
		65	2.80	3.80	5.40	6.80	8.50	10.50	11.30	12.70	14.00	
		P	20	2.50	2.70	2.80	2.90	2.90	2.80	2.70		
			25	2.60	2.90	3.10	3.20	3.30	3.30	3.20	3.10	3.00
			30	2.70	3.00	3.30	3.50	3.60	3.70	3.70	3.70	3.60
			35	2.80	3.10	3.50	3.70	4.00	4.10	4.10	4.10	4.10
		40	2.80	3.20	3.60	3.90	4.20	4.50	4.50	4.60	4.60	
		45	2.90	3.30	3.70	4.10	4.50	4.80	4.90	5.00	5.10	
		50	2.90	3.40	3.80	4.30	4.70	5.10	5.20	5.40	5.50	
		55	2.90	3.40	3.90	4.40	4.90	5.30	5.50	5.70	5.90	
		60	3.00	3.50	4.00	4.50	5.10	5.60	5.80	6.00	6.20	
		65	3.00	3.50	4.10	4.60	5.20	5.80	6.00	6.30	6.50	
2SKW-075E	Q	20	7.30	9.50	12.20	15.30	19.10	23.40	25.40			
		25	6.90	9.00	11.50	14.50	18.00	22.10	23.90	26.90	29.50	
		30	6.50	8.40	10.80	13.60	16.90	20.80	22.50	25.30	27.80	
		35	6.10	7.90	10.10	12.80	15.90	19.50	21.10	23.70	26.00	
		40	5.70	7.40	9.50	12.00	14.90	18.30	19.80	22.20	24.40	
		45	5.30	6.90	8.80	11.20	13.90	17.10	18.50	20.70	22.70	
		50	4.90	6.40	8.20	10.40	12.90	15.90	17.20	19.30	21.20	
		55	4.00	5.90	7.60	9.60	12.00	14.70	15.90	17.90	19.60	
		60	3.60	5.40	7.00	8.90	11.10	13.60	14.70	16.50	18.10	
		65	3.20	4.40	6.40	8.10	10.20	12.50	13.50	15.10	16.60	
		P	20	2.90	3.10	3.30	3.40	3.50	3.40	3.40		
			25	3.00	3.30	3.50	3.70	3.90	3.90	3.90	3.90	3.80
			30	3.20	3.50	3.80	4.00	4.20	4.30	4.40	4.40	4.40
			35	3.30	3.60	4.00	4.30	4.50	4.80	4.80	4.90	4.90
		40	3.30	3.70	4.10	4.50	4.80	5.10	5.20	5.40	5.40	
		45	3.40	3.80	4.30	4.70	5.10	5.50	5.60	5.80	5.90	
		50	3.40	3.90	4.40	4.90	5.40	5.80	6.00	6.20	6.40	
		55	3.50	4.00	4.50	5.10	5.60	6.10	6.30	6.60	6.80	
		60	3.50	4.10	4.70	5.30	5.90	6.40	6.60	7.00	7.20	
		65	3.50	4.10	4.80	5.40	6.10	6.70	7.00	7.30	7.60	

Notes:

1. Suction Gas Temperature 20°C
2. Suction Gas Temperature 0°C
3. Liquid subcooling 0K

Performance Data

60 Hz

Q=Capacity (kW) P=Power input (kW)

Model	Condensing Temperature °C	Evaporating Temperature °C								
		-45	-40	-35	-30	-25	-20	-15	-10	-5
2SCW-0550	Q	10	4.90	6.70	9.00	11.60	14.70	18.30	22.50	27.20
	15	4.30	6.10	8.30	10.90	13.90	17.40	21.40	26.00	
	20	3.70	5.50	7.70	10.20	13.10	16.50	20.40	24.80	
	25	3.10	4.90	7.00	9.40	12.30	15.50	19.30	23.60	
	30	2.50	4.30	6.30	8.60	11.40	14.60	18.20	22.40	
	35	2.00	3.60	5.60	7.90	10.50	13.60	17.10	21.10	
	40		3.00	4.90	7.10	9.60	12.60	16.00	19.90	
	45			4.30	6.40	8.80	11.60	14.90	18.70	
	50				5.60	7.90	10.70	13.80	17.40	
	55					7.10	9.70	12.70	16.20	
	60						8.80	11.60	14.90	
	62						8.40	11.20	14.40	
	P	10	2.90	3.20	3.50	3.70	3.80	3.80	3.70	3.50
	15	2.90	3.30	3.70	4.00	4.20	4.30	4.30	4.20	
20	3.00	3.40	3.80	4.20	4.50	4.70	4.80	4.80		
25	3.00	3.50	4.00	4.40	4.80	5.10	5.30	5.50		
30	2.90	3.50	4.00	4.60	5.00	5.50	5.80	6.00		
35	2.90	3.50	4.10	4.70	5.30	5.80	6.20	6.60		
40		3.40	4.10	4.80	5.50	6.10	6.60	7.10		
45			4.20	4.90	5.70	6.40	7.00	7.60		
50				5.00	5.80	6.60	7.40	8.10		
55					6.00	6.90	7.80	8.60		
60						7.10	8.10	9.00		
62						7.30	8.30	9.20		
2SKW-0750	Q	10	6.50	8.60	11.10	14.10	17.60	21.70	26.60	32.10
	15	5.80	7.90	10.40	13.30	16.70	20.70	25.30	30.70	
	20	5.20	7.20	9.70	12.50	15.80	19.60	24.00	29.20	
	25	4.50	6.50	9.00	11.70	14.90	18.50	22.80	27.70	
	30	2.50	5.80	8.40	10.90	13.90	17.50	21.50	26.20	
	35	3.20	5.10	7.30	10.20	13.00	16.40	20.30	24.80	
	40		4.40	6.50	9.00	12.10	15.30	19.00	23.30	
	45			5.80	8.10	11.20	14.30	17.80	21.80	
	50				7.30	9.80	13.20	16.50	20.40	
	55					8.90	11.80	15.30	19.00	
	60						10.70	14.10	17.50	
	62						10.20	13.60	17.00	
	P	10	3.40	3.80	4.20	4.40	4.50	4.50	4.20	3.70
	15	3.60	4.00	4.40	4.40	4.80	5.10	5.00	4.70	
20	3.70	4.20	4.60	5.10	5.40	5.70	5.80	5.70		
25	3.70	4.30	4.80	5.30	5.80	6.20	6.40	6.50		
30	3.80	4.30	4.90	5.50	6.10	6.60	7.00	7.20		
35	3.80	4.40	5.00	5.70	6.30	7.00	7.50	7.90		
40		4.40	5.10	5.80	6.60	7.30	8.00	8.60		
45			5.20	5.90	6.80	7.60	8.40	9.10		
50				6.10	7.00	7.90	8.80	9.70		
55					7.20	8.20	9.20	10.30		
60						8.50	9.60	10.80		
62						8.60	9.80	11.00		
2SCW-0550 Air	Q	10	4.10	5.70	7.50	9.70	12.40	15.40	19.00	23.90
	15	3.80	5.20	7.00	9.10	11.70	14.60	18.00	22.00	
	20	3.40	4.80	6.50	8.50	11.00	13.80	17.10	20.90	
	25	3.10	4.40	6.00	8.00	10.30	13.00	16.10	19.80	
	30	2.50	4.00	5.60	7.40	9.60	12.20	15.20	18.70	
	35	2.50	3.70	5.10	6.90	9.00	11.40			
	40	1.60	3.30	4.70	6.40	8.30				
	45	1.30	3.00	4.30	5.90					
	50		2.10	3.90	5.40					
	55		1.80	3.60	5.00					
	P	10	2.40	2.70	3.10	3.30	3.60	3.70	3.60	3.40
	15	2.40	2.80	3.20	3.60	3.90	4.10	4.20	4.20	4.10
	20	2.50	2.90	3.40	3.80	4.10	4.40	4.70	4.80	4.80
	25	2.50	3.00	3.50	4.00	4.40	4.80	5.10	5.30	5.40
30	2.50	3.00	3.60	4.10	4.60	5.10	5.50	5.80		
35	2.50	3.10	3.60	4.20	4.80	5.40				
40	2.50	3.10	3.70	4.40	5.00					
45	2.40	3.10	3.80	4.50						
50		3.10	3.80	4.50						
55		3.10	3.80	4.60						

Notes:

1. Suction Gas Temperature 20°C
2. Suction Superheat 20K
3. Suction Superheat 20K + Fan
4. Liquid subcooling 0K

Performance Data

Q=Capacity (kW) P=Power input (kW)

60 Hz

Model	Condensing Temperature °C	Evaporating Temperature °C									
		-45	-40	-35	-30	-25	-20	-15	-10	-5	
2SCW-055E	Q	20	3.80	5.20	7.10	9.40	12.10	15.20	18.90	23.10	27.80
		25	3.30	4.80	6.50	8.70	11.30	14.30	17.70	21.70	26.30
		30	2.60	4.30	6.00	8.00	10.40	13.30	16.60	20.30	24.60
		35	2.20	3.80	5.40	7.30	9.50	12.20	15.30	18.90	22.90
		40	1.80	2.90	4.80	6.50	8.60	11.20	14.00	17.40	21.20
		45	1.40	2.40	4.20	5.80	7.70	10.00	12.70	15.80	19.40
		50		1.90	3.10	5.00	6.80	8.90	11.40	14.20	17.50
	55		1.50	2.50	4.30	5.90	7.70	10.00	12.60	15.60	
	P	20	2.60	3.20	3.70	4.20	4.70	5.00	5.30	5.40	5.40
		25	2.60	3.20	3.80	4.40	4.90	5.40	5.80	6.10	6.20
		30	2.50	3.20	3.90	4.50	5.10	5.70	6.20	6.60	6.90
		35	2.40	3.10	3.90	4.60	5.30	6.00	6.60	7.10	7.60
		40	2.30	3.00	3.80	4.60	5.40	6.20	6.90	7.60	8.10
		45	2.20	2.90	3.70	4.60	5.50	6.30	7.10	7.90	8.60
50			2.80	3.60	4.50	5.50	6.40	7.30	8.20	9.00	
55		2.60	3.50	4.40	5.40	6.40	7.40	8.40	9.40		
2SKW-075E	Q	20	4.50	6.50	8.80	11.50	14.80	18.70	23.10	28.30	34.20
		25	4.00	5.80	8.00	10.60	13.70	17.30	21.50	26.40	32.00
		30	3.10	5.10	7.20	9.70	12.60	16.00	19.90	24.50	29.70
		35	2.50	4.10	6.50	8.80	11.50	14.60	18.30	22.50	27.40
		40	1.90	3.50	5.70	7.90	10.40	13.30	16.70	20.70	25.20
		45	1.40	2.90	4.50	7.00	9.30	12.00	15.20	18.80	23.00
		50		2.30	3.80	6.20	8.30	10.80	13.60	17.00	20.80
	55		1.80	3.10	4.70	7.30	9.50	12.10	15.10	18.60	
	P	20	3.30	3.90	4.50	5.10	5.60	6.10	6.50	6.80	7.00
		25	3.30	4.00	4.60	5.30	5.90	6.50	7.00	7.50	7.80
		30	3.20	4.00	4.70	5.40	6.10	6.80	7.50	8.00	8.60
		35	3.20	4.00	4.80	5.60	6.40	7.10	7.90	8.60	9.20
		40	3.10	3.90	4.80	5.60	6.50	7.40	8.20	9.00	9.80
		45	3.00	3.90	4.80	5.70	6.60	7.60	8.50	9.50	10.40
50			3.80	4.70	5.70	6.70	7.80	8.80	9.80	10.90	
55		3.70	4.70	5.70	6.80	7.90	9.00	10.20	11.30		

Notes:

1. Suction Gas Temperature 20°C
2. Suction Gas Temperature 0°C
3. Suction Gas Temperature 0°C + Fan
4. Liquid subcooling 0K

Performance Data

Q=Capacity (kW) P=Power input (kW)

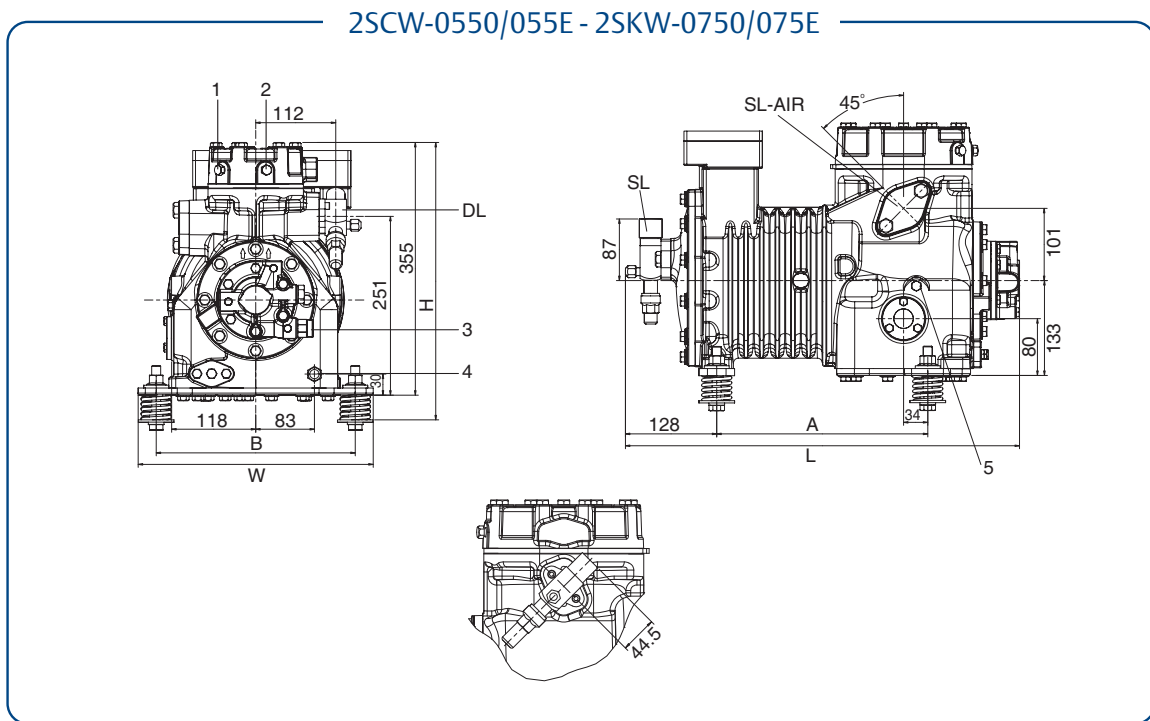
60 Hz

Model	Condensing Temperature °C	Evaporating Temperature °C									
		-20	-15	-10	-5	0	5	7	10	12.5	
2SCW-055E	Q	20	7.80	10.08	12.84	16.08	19.92	24.48	26.52		
		25	7.44	9.60	12.24	15.36	18.96	23.28	25.20	28.20	30.96
		30	7.08	9.12	11.52	14.52	18.00	22.08	23.88	26.76	29.28
		35	6.60	8.52	10.92	13.68	16.92	20.76	22.44	25.20	27.60
		40	6.24	8.04	10.20	12.84	15.84	19.44	21.00	23.64	25.92
		45	5.76	7.44	9.48	11.88	14.76	18.12	19.56	21.96	24.12
		50	5.28	6.84	8.76	11.04	13.68	16.80	18.12	20.28	22.32
		55	4.44	6.24	8.04	10.08	12.60	15.36	16.68	18.72	20.52
		60	3.96	5.64	7.32	9.12	11.40	14.04	15.12	16.92	18.60
		65	3.36	4.56	6.48	8.16	10.20	12.60	13.56	15.24	16.80
2SKW-075E	P	20	3.00	3.24	3.36	3.48	3.48	3.36	3.24		
		25	3.12	3.48	3.72	3.84	3.96	3.96	3.84	3.72	3.60
		30	3.24	3.60	3.96	4.20	4.32	4.44	4.44	4.44	4.32
		35	3.36	3.72	4.20	4.44	4.80	4.92	4.92	4.92	4.92
		40	3.36	3.84	4.32	4.68	5.04	5.40	5.40	5.52	5.52
		45	3.48	3.96	4.44	4.92	5.40	5.76	5.88	6.00	6.12
		50	3.48	4.08	4.56	5.16	5.64	6.12	6.24	6.48	6.60
		55	3.48	4.08	4.68	5.28	5.88	6.36	6.60	6.84	7.08
		60	3.60	4.20	4.80	5.40	6.12	6.72	6.96	7.20	7.44
		65	3.60	4.20	4.92	5.52	6.24	6.96	7.20	7.56	7.80
2SKW-075E	Q	20	8.76	11.40	14.64	18.36	22.92	28.08	30.48		
		25	8.28	10.80	13.80	17.40	21.60	26.52	28.68	32.28	35.40
		30	7.80	10.08	12.96	16.32	20.28	24.96	27.00	30.36	33.36
		35	7.32	9.48	12.12	15.36	19.08	23.40	25.32	28.44	31.20
		40	6.84	8.88	11.40	14.40	17.88	21.96	23.76	26.64	29.28
		45	6.36	8.28	10.56	13.44	16.68	20.52	22.20	24.84	27.24
		50	5.88	7.68	9.84	12.48	15.48	19.08	20.64	23.16	25.44
		55	4.80	7.08	9.12	11.52	14.40	17.64	19.08	21.48	23.52
		60	4.32	6.48	8.40	10.68	13.32	16.32	17.64	19.80	21.72
		65	3.84	5.28	7.68	9.72	12.24	15.00	16.20	18.12	19.92
2SKW-075E	P	20	3.48	3.72	3.96	4.08	4.20	4.08	4.08		
		25	3.60	3.96	4.20	4.44	4.68	4.68	4.68	4.68	4.56
		30	3.84	4.20	4.56	4.80	5.04	5.16	5.28	5.28	5.28
		35	3.96	4.32	4.80	5.16	5.40	5.76	5.76	5.88	5.88
		40	3.96	4.44	4.92	5.40	5.76	6.12	6.24	6.48	6.48
		45	4.08	4.56	5.16	5.64	6.12	6.60	6.72	6.96	7.08
		50	4.08	4.68	5.28	5.88	6.48	6.96	7.20	7.44	7.68
		55	4.20	4.80	5.40	6.12	6.72	7.32	7.56	7.92	8.16
		60	4.20	4.92	5.64	6.36	7.08	7.68	7.92	8.40	8.64
		65	4.20	4.92	5.76	6.48	7.32	8.04	8.40	8.76	9.12

Notes:

1. Suction Gas Temperature 20°C
2. Suction Gas Temperature 0°C
3. Liquid subcooling 0K

Dimensional Drawing

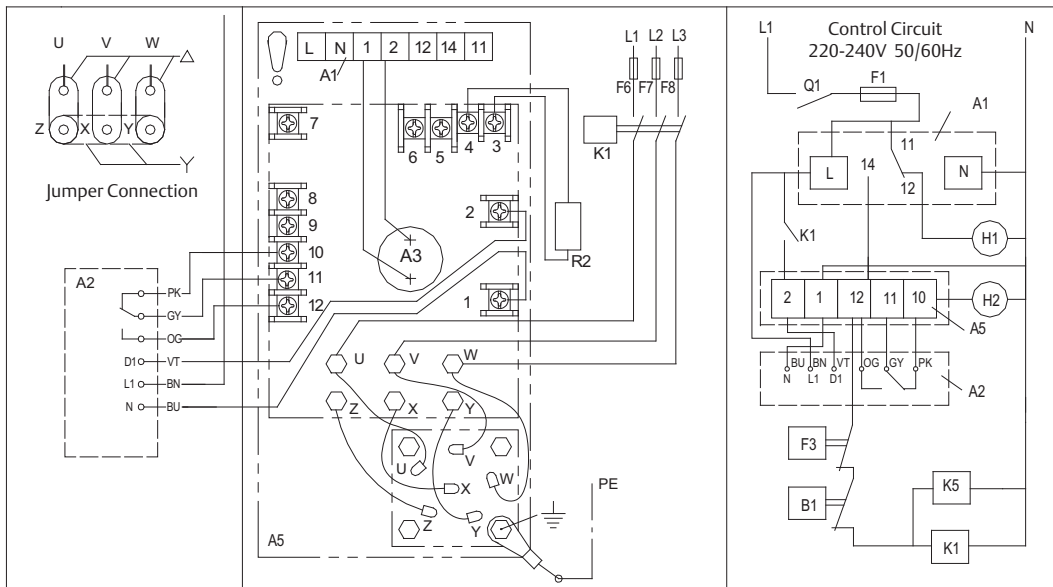


SL – Suction line (rotalock) DL – Discharge line (rotalock)

1. Plug -low pressure connection	1/8"-27NPTF	4. Plug- Crankcase heater	3/8"-18NPSL
2. Plug- high pressure connection	1/8"-27NPTF	5. Plug- oil charge	1/4"-18NPTF
3. Oil Pressure Switch Sensor Connection	3/4"-16UNF		

Model	SL Ø (Suction Line)	DL Ø (Discharge Line)	A (Mounting Length)	B (Mounting Length)	L (Length)	W (Width)	H (Height)
2SCW-0550/2SCW-055E	1 1/8	7/8	295 mm	279 mm	553 mm	330 mm	395 mm
2SKW-0750/2SKW-075E	1 1/8	7/8	295 mm	279 mm	553 mm	330 mm	395 mm

Wiring Diagram



Electrical Diagram Coding

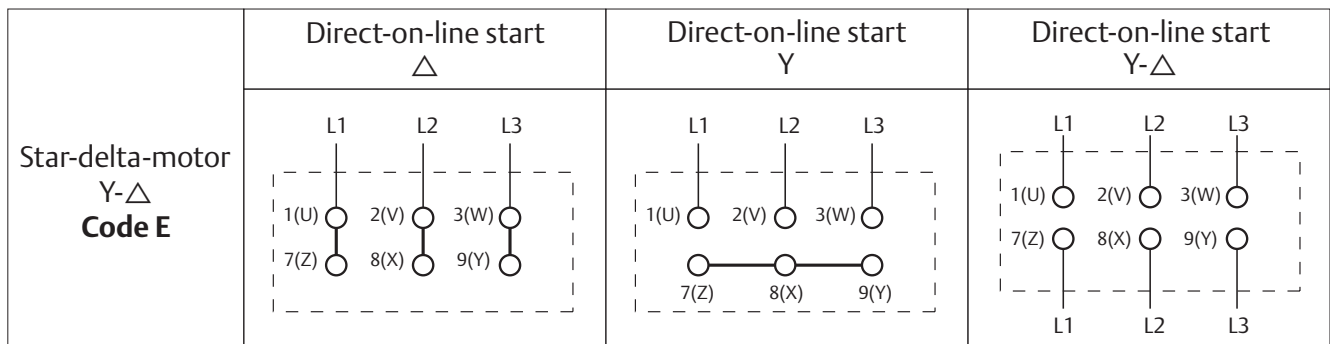
- | | | |
|---|------------------------------------|----------------------------|
| A1: Motor protection module | F1: Fuse for control circuit | K5: Fan motor contact coil |
| A2: Oil differential pressure switch OPS2 | F3: H/L pressure switches | N: Neutral connection |
| A3: Thermistors | F6, F7, F8: Fuses for main circuit | Q1: Main Switch |
| A5: Terminal box | H1, H2: Alarm indicator | R2: Crankcase heater |
| B1: Thermostat | K1: Compressor contactor coil | 1-12: Accessory Connectors |
| D1: Operating Recognition Connection | L1, L2, L3: Voltage connection | |
| PE: Grounding Connection | 380-420V-3-50/60Hz-Y | |
| | 220-240V-3-50/60Hz-Delta | |

Note:

The thermistor assembled in the compressor can only be connected to terminal 1 & 2 of module A1, see the wiring diagram. The max. measuring voltage of the thermistor is 3V, the cold resistance of the thermistor is ≤ 750

In A1 there is another 1 and 2, 11, 12, 14 (Terminals of Motor Protection Module)

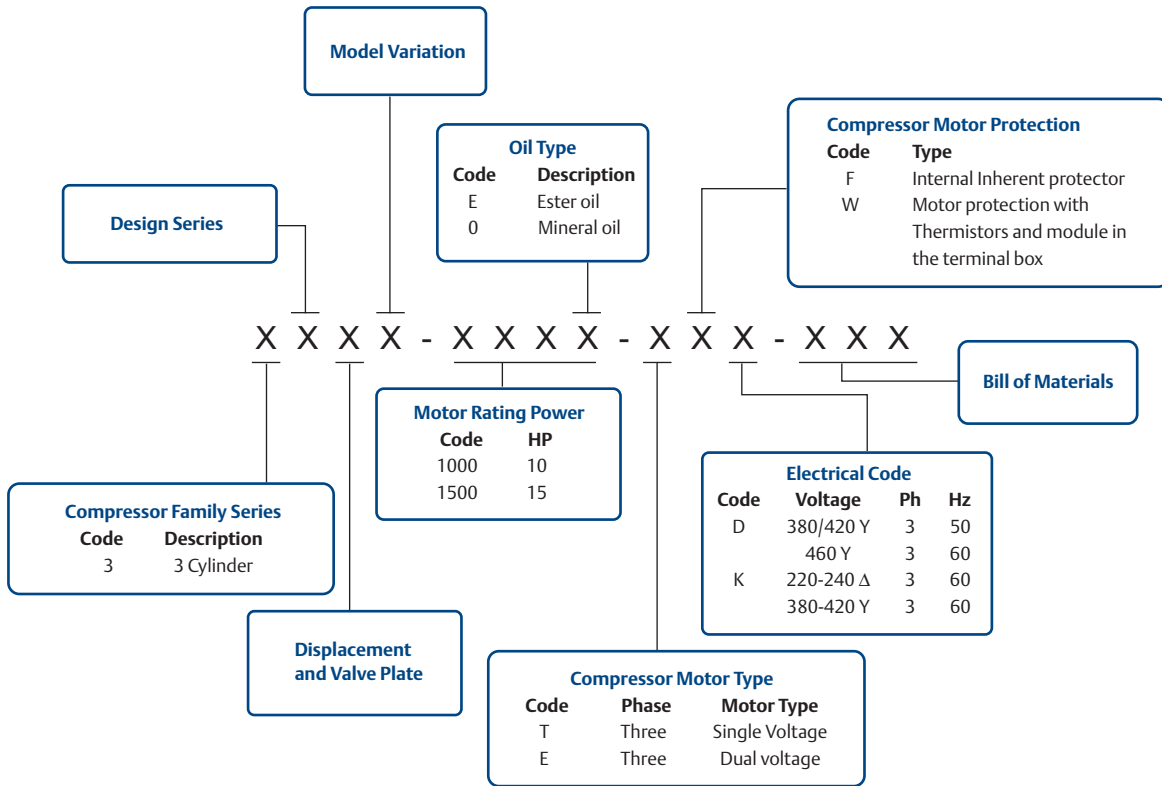
Terminal Jumper Schematics



Motor Current Data (A)

Star Connection (Y)		R22 (400V-3-50 Hz/380V-3-60 Hz) $t_c=40^\circ\text{C(CT)}$													
Model	Evaporating temperature $^\circ\text{C}$														
	-45	-40	-35	-30	-25	-20	-15	-10	-5	0	5	7	10	12.5	
2SCW-0550			6.5/8.2	7.1/9.0	7.8/9.8	8.5/10.7	9.1/11.4	9.7/12.2	10.1/12.8						
2SKW-0750			8.0/10.0	8.9/11.2	9.7/12.3	10.5/13.2	11.2/14.1	11.9/15.0	12.5/15.8						
2SCW-0550 Air	5.3/6.7	5.9/7.4	6.5/8.2	7.1/8.9	7.7/9.71										
Star Connection (Y)		R404A/507 (400V-3-50Hz/380V-3-60Hz) $t_c=40^\circ\text{C(CT)}$													
Model	Evaporating temperature $^\circ\text{C}$														
	-45	-40	-35	-30	-25	-20	-15	-10	-5	0	5	7	10	12.5	
2SCW-055E	6.0/7.6	6.4/8.1	7.0/8.8	7.7/9.7	8.4/10.6	9.2/11.6	10.0/12.6	10.7/13.4	11.3/14.2						
2SKW-075E	7.5/9.4	8.0/10.1	8.7/11.0	9.5/12.0	10.4/13.1	11.3/14.3	12.3/15.5	13.3/16.7	14.2/17.9						
Star Connection (Y)		R134a (400V-3-50Hz/380V-3-60Hz) $t_c=40^\circ\text{C(CT)}$													
Model	Evaporating temperature $^\circ\text{C}$														
	-45	-40	-35	-30	-25	-20	-15	-10	-5	0	5	7	10	12.5	
2SCW-055E						6.4/7.6	6.7/8.1	7.1/8.6	7.5/9.0	7.9/9.4	8.1/9.8	8.2/9.9	8.3/10.0	8.4/10.0	
2SKW-075E						8.2/9.9	8.6/10.4	9.0/10.8	9.5/11.3	9.8/11.8	10.2/12.2	10.3/12.4	10.5/12.6	10.6/12.8	
Delta Connection		R22 (230V-3-50Hz/230V-3-60Hz) $t_c=40^\circ\text{C(CT)}$													
Model	Evaporating temperature $^\circ\text{C}$														
	-45	-40	-35	-30	-25	-20	-15	-10	-5	0	5	7	10	12.5	
2SCW-0550			11.2/14.1	12.3/15.5	13.5/17.0	14.6/18.4	15.7/19.8	16.7/21.0	17.5/22.1						
2SKW-0750			13.8/17.4	15.4/19.4	16.8/21.2	18.2/22.9	19.4/24.5	20.6/25.9	21.6/27.3						
2SCW-0550 Air	9.2/15.9	10.2/17.6	11.2/19.4	12.2/21.2	13.3/23.0										
Delta Connection		R404A/507 (230V-3-50Hz/230V-3-60Hz) $t_c=40^\circ\text{C(CT)}$													
Model	Evaporating temperature $^\circ\text{C}$														
	-45	-40	-35	-30	-25	-20	-15	-10	-5	0	5	7	10	12.5	
2SCW-055E	10.4/13.2	11.1/14.0	12.1/15.3	13.3/16.7	14.6/18.4	15.9/20.1	17.2/21.7	18.5/23.3	19.5/24.6						
2SKW-075E	12.9/16.2	13.8/17.4	15.1/19.0	16.4/20.7	18.0/22.6	19.6/24.7	21.3/26.8	22.9/28.9	24.6/30.9						
Delta Connection		R134a (230V-3-50Hz/230V-3-60Hz) $t_c=40^\circ\text{C(CT)}$													
Model	Evaporating temperature $^\circ\text{C}$														
	-45	-40	-35	-30	-25	-20	-15	-10	-5	0	5	7	10	12.5	
2SCW-055E						11.0/13.4	11.6/14.1	12.3/15.0	13.0/15.8	13.6/16.5	14.1/17.1	14.2/17.3	14.4/17.5	14.5/17.6	
2SKW-075E						14.3/17.3	14.9/18.1	15.6/19.0	16.3/19.8	17.0/20.7	17.6/21.4	17.9/21.7	18.2/22.1	18.4/22.3	

Model Nomenclature & Bill of Materials



Bill of Materials (BOM)

3S Series		202
Mounting Parts		√
Rotalock/Service Valve		√
Crankcase Heater		√
Electronic Oil Pressure Switch (OPS2)		√
Motor Protection Module		√
Discharge Temp Control Valve (DTC)		*accessory

Note: * To be ordered separately
 DTC valve part number
 998-0011-00

Performance Data

50 Hz

Q=Capacity (kW) P=Power input (kW)

Model	Condensing Temperature °C	Evaporating Temperature °C										
		-45	-40	-35	-30	-25	-20	-15	-10	-5		
3SS1-1000	Q	10	4.70	6.50	8.60	11.40	14.60	18.40	22.80	27.90	33.80	
		15	4.20	5.90	8.00	10.60	13.70	17.30	21.60	26.50	32.20	
		20	3.80	5.40	7.30	9.80	12.80	16.30	20.30	25.10	30.50	
		25	3.30	4.80	6.70	9.00	11.90	15.20	19.10	23.60	28.90	
		30	2.90	4.30	6.00	8.20	10.90	14.10	17.90	22.20	27.20	
		35	2.40	3.80	5.40	7.40	10.00	13.00	16.60	20.80	25.60	
		40	2.00	3.30	4.80	6.70	9.00	11.90	15.40	19.40	23.90	
		45	1.60	2.80	4.30	6.10	8.20	10.90	14.10	17.90	22.30	
		50		2.30	3.70	5.40	7.30	9.80	12.80	16.50	20.60	
		55		1.90	3.20	4.70	6.60	8.80	11.60	15.00	19.00	
		P	10	2.70	3.10	3.50	3.90	4.30	4.80	5.20	5.60	6.10
			15	2.80	3.20	3.70	4.10	4.50	5.00	5.40	5.90	6.40
			20	2.80	3.30	3.80	4.20	4.70	5.20	5.70	6.20	6.80
			25	2.80	3.30	3.80	4.40	4.90	5.40	6.00	6.50	7.10
		30	2.70	3.30	3.90	4.50	5.00	5.60	6.20	6.80	7.50	
		35	2.70	3.30	3.90	4.60	5.20	5.80	6.50	7.10	7.80	
		40	2.50	3.20	3.90	4.60	5.30	6.00	6.70	7.50	8.20	
		45	2.40	3.20	3.90	4.70	5.40	6.20	7.00	7.80	8.60	
		50		3.10	3.90	4.70	5.60	6.40	7.30	8.10	9.00	
		55		2.90	3.90	4.80	5.70	6.60	7.50	8.50	9.40	
3SS1-1500	Q	10	6.30	8.70	11.70	15.20	19.50	24.50	30.30	37.00	44.60	
		15	5.70	7.90	10.80	14.20	18.30	23.00	28.60	35.00	42.40	
		20	5.00	7.20	9.90	13.20	17.10	21.60	27.00	33.10	40.20	
		25	4.40	6.50	9.00	12.20	15.90	20.30	25.30	31.20	37.90	
		30	3.80	5.80	8.20	11.20	14.70	18.90	23.70	29.30	35.80	
		35	3.20	5.10	7.40	10.20	13.50	17.50	22.20	27.50	33.60	
		40	2.60	4.50	6.70	9.20	12.40	16.10	20.60	25.70	31.50	
		45	2.10	3.80	6.00	8.50	11.30	14.80	19.00	23.90	29.40	
		50		3.30	5.30	7.60	10.20	13.60	17.50	22.20	27.40	
		55		2.70	4.60	6.80	9.50	12.30	16.00	20.30	25.40	
		P	10	3.70	4.30	4.90	5.50	6.20	6.80	7.60	8.40	9.30
			15	3.80	4.40	5.10	5.80	6.40	7.10	7.90	8.80	9.70
			20	3.80	4.50	5.20	5.90	6.70	7.40	8.30	9.10	10.20
			25	3.70	4.60	5.30	6.10	6.90	7.70	8.60	9.50	10.60
		30	3.70	4.60	5.40	6.30	7.10	8.00	8.90	9.90	11.00	
		35	3.60	4.60	5.50	6.40	7.30	8.30	9.20	10.30	11.40	
		40	3.50	4.50	5.60	6.60	7.50	8.50	9.60	10.70	11.90	
		45	3.30	4.50	5.60	6.70	7.70	8.80	9.90	11.10	12.30	
		50		4.40	5.60	6.80	7.90	9.10	10.30	11.50	12.80	
		55		4.30	5.60	6.90	8.20	9.40	10.70	12.00	13.30	

Notes:

1. Suction Gas Temperature 20°C
2. Liquid subcooling 0K
3.  Suction Superheat 20K
4.  Suction Superheat 20K + FAN
5.  Suction Gas Temperature 20°C + FAN + DTC

Performance Data

Q=Capacity (kW) P=Power input (kW)

50 Hz

Model	Condensing Temperature °C	Evaporating Temperature °C														
		-25	-20	-15	-10	-5	0	5	7	10	12.5					
3SCH-1000	Q	10	13.60	17.30	21.70	27.00	33.20									
		15	12.70	16.20	20.40	25.40	31.40	38.30								
		20	11.90	15.20	19.20	24.00	29.60	36.20	43.80	47.20						
		25	11.20	14.30	18.10	22.50	27.90	34.10	41.40	44.60	49.80	54.50				
		30	10.50	13.40	16.90	21.20	26.20	32.10	39.00	42.10	47.00	51.40				
		35	9.70	12.50	15.90	19.90	24.60	30.20	36.70	39.60	44.20	48.40				
		40	8.60	11.70	14.80	18.60	23.00	28.30	34.40	37.10	41.50	45.50				
		45		10.50	13.90	17.40	21.50	26.50	32.20	34.80	38.90	42.70				
		50		9.70	12.50	16.20	20.10	24.70	30.10	32.50	36.40	39.90				
		55			11.60	15.10	18.70	23.00	28.00	30.20	33.90	37.20				
		60			10.70	13.70	17.40	21.30	26.00	28.10	31.40	34.50				
		62				13.20	16.80	20.70	25.20	27.20	30.50	33.50				
	3SSH-1500	P	10	4.20	4.30	4.40	4.30	4.20								
			15	4.50	4.70	4.90	4.90	4.90	4.70							
		20	4.80	5.10	5.30	5.50	5.50	5.40	5.20	5.10						
		25	5.00	5.40	5.80	6.00	6.10	6.20	6.10	6.00	5.80	5.70				
		30	5.30	5.70	6.20	6.50	6.80	6.90	6.90	6.90	6.80	6.70				
		35	5.50	6.00	6.50	7.00	7.30	7.60	7.70	7.80	7.80	7.70				
		40	5.60	6.30	6.90	7.40	7.90	8.30	8.50	8.60	8.70	8.80				
		45		6.50	7.20	7.80	8.40	8.90	9.30	9.50	9.60	9.70				
		50		6.70	7.50	8.20	8.90	9.50	10.10	10.30	10.60	10.80				
		55			7.70	8.60	9.40	10.20	10.90	11.10	11.50	11.70				
		60			8.00	8.90	9.90	10.80	11.60	11.90	12.30	12.70				
		62				9.10	10.10	11.00	11.90	12.20	12.70	13.10				
3SSH-1500		Q	10	19.10	23.90	29.70	36.50	44.40								
			15	18.00	22.50	28.00	34.50	42.10	50.90							
		20	16.90	21.20	26.40	32.60	39.90	48.30	58.00	62.20						
		25	15.80	20.00	24.90	30.80	37.70	45.70	54.90	59.00	65.50	71.30				
		30	14.80	18.70	23.40	29.00	35.50	43.10	51.90	55.70	61.90	67.50				
		35	13.80	17.60	22.00	27.30	33.40	40.60	48.90	52.60	58.50	63.70				
		40	12.40	16.40	20.60	25.60	31.40	38.20	46.00	49.50	55.00	60.00				
		45		14.90	19.30	24.00	29.40	35.80	43.20	46.40	51.70	56.40				
		50		13.80	17.60	22.40	27.50	33.50	40.40	43.50	48.40	52.80				
		55			16.30	20.80	25.60	31.20	37.70	40.50	45.10	49.20				
		60			15.00	19.00	23.80	29.00	35.00	37.60	41.90	45.80				
		62				18.40	23.10	28.10	33.90	36.50	40.70	44.40				
	3SSH-1500	P	10	5.90	6.20	6.40	6.50	6.40								
			15	6.40	6.80	7.10	7.30	7.30	7.20							
		20	6.80	7.30	7.70	8.00	8.20	8.30	8.10	8.10						
		25	7.10	7.70	8.20	8.70	9.00	9.20	9.20	9.20	9.10	9.00				
		30	7.30	8.00	8.70	9.30	9.70	10.10	10.30	10.40	10.40	10.40				
		35	7.60	8.40	9.10	9.80	10.40	10.90	11.30	11.40	11.60	11.60				
		40	7.70	8.60	9.50	10.30	11.10	11.70	12.30	12.50	12.70	12.90				
		45		8.90	9.90	10.80	11.70	12.50	13.30	13.50	13.90	14.10				
		50		9.10	10.30	11.30	12.40	13.30	14.20	14.50	15.00	15.30				
		55			10.60	11.80	13.00	14.10	15.20	15.60	16.10	16.60				
		60			11.10	12.40	13.70	15.00	16.20	16.60	17.30	17.90				
		62				12.60	14.00	15.30	16.60	17.10	17.80	18.40				

Notes:

1. Suction Gas Temperature 20°C
2. SH 20K
3. Liquid subcooling 0K

Performance Data

Q=Capacity (kW) P=Power input (kW)

50 Hz

Model	Condensing Temperature °C	Evaporating Temperature °C								
		-45	-40	-35	-30	-25	-20	-15	-10	-5
3SC1-100E	20	4.40	6.20	8.40	11.20	14.50	18.40	23.00	28.20	34.20
	25	3.90	5.60	7.70	10.30	13.40	17.00	21.30	26.30	31.90
	30	3.10	5.00	6.90	9.30	12.20	15.70	19.70	24.30	29.60
	35	2.60	4.40	6.20	8.40	11.10	14.30	18.00	22.30	27.30
	40	2.20	3.40	5.50	7.50	9.90	12.90	16.30	20.30	24.90
	45	1.80	2.90	4.30	6.60	8.80	11.50	14.60	18.30	22.50
	50		2.40	3.60	5.70	7.70	10.10	12.90	16.30	20.10
	55		1.90	2.90	4.20	6.60	8.70	11.30	14.30	17.80
	20	2.80	3.50	4.10	4.80	5.40	5.90	6.40	6.80	7.10
	25	2.80	3.50	4.20	4.90	5.60	6.20	6.80	7.40	7.80
	30	2.80	3.50	4.30	5.00	5.80	6.50	7.20	7.80	8.40
	35	2.80	3.50	4.30	5.10	5.90	6.70	7.50	8.20	8.90
	40	2.80	3.50	4.30	5.20	6.00	6.90	7.80	8.60	9.40
	45	2.70	3.50	4.30	5.20	6.10	7.10	8.00	8.90	9.80
50		3.40	4.30	5.20	6.20	7.20	8.20	9.20	10.20	
55		3.40	4.20	5.20	6.20	7.30	8.30	9.40	10.50	
3SS1-150E	20	6.60	8.90	11.80	15.30	19.40	24.20	29.80	36.30	43.70
	25	5.90	8.10	10.90	14.10	18.00	22.50	27.80	33.90	40.90
	30	4.80	7.30	9.90	13.00	16.60	20.90	25.80	31.50	38.10
	35	4.10	6.60	9.00	11.90	15.30	19.30	23.80	29.20	35.30
	40	3.40	5.30	8.10	10.80	14.00	17.60	21.90	26.80	32.50
	45	2.80	4.60	6.60	9.80	12.70	16.10	20.00	24.50	29.70
	50		3.90	5.70	8.70	11.40	14.50	18.10	22.20	27.00
	55		3.20	4.90	6.80	10.10	12.90	16.20	19.90	24.30
	20	4.30	5.00	5.80	6.70	7.40	8.10	8.80	9.20	9.50
	25	4.30	5.10	5.90	6.80	7.70	8.60	9.30	10.00	10.60
	30	4.30	5.10	6.00	7.00	8.00	8.90	9.90	10.70	11.40
	35	4.30	5.20	6.10	7.10	8.20	9.20	10.30	11.30	12.20
	40	4.40	5.20	6.20	7.20	8.30	9.50	10.70	11.90	12.90
	45	4.50	5.30	6.20	7.30	8.50	9.80	11.10	12.40	13.60
50		5.40	6.40	7.50	8.70	10.00	11.40	12.80	14.20	
55		5.60	6.50	7.60	8.90	10.30	11.70	13.20	14.80	

Notes:

- Suction Gas Temperature 20°C
- Suction Gas Temperature 0°C
- Suction Gas Temperature 0°C + Fan
- Liquid subcooling 0K

Performance Data

Q=Capacity (kW) P=Power input (kW)

50 Hz

Model	Condensing Temperature °C	Evaporating Temperature °C									
		-30	-25	-20	-15	-10	-5	0	5	7	
3SCH-100E	Q	20	11.60	14.80	18.60	23.10	28.40	34.50	41.50	49.50	52.90
		25	10.70	13.70	17.30	21.60	26.50	32.30	38.90	46.30	49.50
		30	9.80	12.70	16.00	20.00	24.70	30.00	36.10	43.10	46.10
		35	8.90	11.60	14.80	18.50	22.80	27.70	33.40	39.90	42.70
		40	8.00	10.50	13.50	16.90	20.90	25.40	30.70	36.60	39.20
		45	7.10	9.40	12.20	15.30	18.90	23.10	27.90	33.30	35.70
		50	6.20	8.40	10.90	13.70	17.00	20.80	25.10	30.00	32.20
	P	55	7.30	9.50	12.10	15.00	18.40	22.20	26.70	32.60	35.60
		20	4.80	5.30	5.80	6.20	6.40	6.60	6.60	6.40	6.20
		25	5.00	5.60	6.10	6.60	7.00	7.30	7.40	7.40	7.30
		30	5.10	5.80	6.40	7.00	7.50	7.90	8.20	8.30	8.30
		35	5.20	6.00	6.70	7.40	8.00	8.50	8.90	9.20	9.20
		40	5.30	6.10	6.90	7.70	8.40	9.10	9.60	10.00	10.10
		45	5.30	6.20	7.10	7.90	8.80	9.50	10.20	10.80	10.90
3SSH-150E	Q	50	5.30	6.20	7.20	8.20	9.10	10.00	10.80	11.40	11.70
		55	6.20	7.30	8.30	9.30	10.30	11.30	12.10	12.30	12.30
		20	16.30	20.40	25.30	31.20	38.00	46.00	55.10	65.50	70.00
		25	15.00	18.90	23.60	29.20	35.60	43.10	51.70	61.50	65.70
		30	13.80	17.50	21.90	27.10	33.20	40.20	48.30	57.40	61.40
		35	12.50	16.10	20.20	25.10	30.80	37.30	44.80	53.40	57.10
		40	11.40	14.70	18.60	23.10	28.30	34.40	41.30	49.20	52.70
	P	45	10.20	13.30	16.90	21.10	25.90	31.40	37.80	45.10	48.30
		50	9.00	11.90	15.20	19.00	23.40	28.50	34.30	40.90	43.80
		55	10.60	13.60	17.00	20.90	25.50	30.70	36.70	43.30	45.30
		20	6.80	7.50	8.10	8.60	9.10	9.50	9.80	10.00	10.00
		25	7.10	7.90	8.60	9.30	9.80	10.40	10.80	11.10	11.20
		30	7.30	8.20	9.00	9.80	10.60	11.20	11.80	12.20	12.40
		35	7.50	8.50	9.40	10.40	11.20	12.00	12.70	13.30	13.50
P	40	7.60	8.70	9.80	10.80	11.80	12.70	13.50	14.30	14.60	
	45	7.70	8.90	10.10	11.30	12.40	13.40	14.30	15.20	15.60	
	50	7.70	9.00	10.30	11.60	12.80	14.00	15.10	16.10	16.50	
	55	9.00	10.50	11.90	13.30	14.60	15.80	17.00	17.00	17.40	

Notes:

- 1. Suction Gas Temperature 20°C
- 2. Liquid subcooling 0K

Performance Data

Q=Capacity (kW) P=Power input (kW)

50 Hz

Model	Condensing Temperature °C	Evaporating Temperature °C										
		-20	-15	-10	-5	0	5	7	10	12.5		
3SS1-100E	Q	20	8.70	11.40	14.50	18.40	23.00	28.40	30.80			
		25	8.30	10.80	13.80	17.40	21.70	26.90	29.10	32.80	36.20	
		30	7.90	10.20	13.00	16.40	20.40	25.30	27.40	30.90	34.10	
		35	7.40	9.50	12.20	15.40	19.20	23.60	25.70	28.90	31.90	
		40	6.90	8.90	11.30	14.30	17.90	22.00	23.90	27.00	29.80	
		45	6.30	8.20	10.50	13.20	16.60	20.50	22.20	25.10	27.70	
		50	5.70	7.50	9.60	12.20	15.30	19.00	20.60	23.20	25.70	
		55	4.60	6.80	8.80	11.20	14.10	17.50	19.00	21.50	23.70	
		60	4.10	6.20	8.00	10.30	12.90	16.10	17.50	19.80	21.80	
		65	3.60	4.90	7.30	9.40	11.90	14.80	16.10	18.20	20.10	
		P	20	3.40	3.80	4.10	4.50	4.80	5.10	5.20		
			25	3.60	3.90	4.30	4.70	5.10	5.40	5.60	5.80	5.90
			30	3.70	4.10	4.50	4.90	5.40	5.80	5.90	6.10	6.30
			35	3.70	4.20	4.70	5.10	5.60	6.10	6.30	6.50	6.70
			40	3.80	4.30	4.80	5.30	5.90	6.40	6.60	6.90	7.20
		45	3.80	4.40	4.90	5.50	6.10	6.70	6.90	7.30	7.60	
		50	3.80	4.40	5.10	5.70	6.30	7.00	7.30	7.70	8.00	
		55	3.80	4.50	5.10	5.80	6.60	7.30	7.60	8.00	8.40	
		60	3.70	4.50	5.20	6.00	6.80	7.60	7.90	8.40	8.80	
		65	3.70	4.40	5.30	6.10	7.00	7.80	8.20	8.70	9.20	
3SS1-150E	Q	20	11.50	14.90	19.20	24.20	30.30	37.50	40.70			
		25	11.00	14.20	18.10	22.90	28.60	35.30	38.30	43.20	47.60	
		30	10.30	13.30	17.00	21.50	26.80	33.10	36.00	40.50	44.70	
		35	9.70	12.50	16.00	20.10	25.10	31.00	33.60	37.90	41.70	
		40	9.00	11.60	14.90	18.70	23.40	28.80	31.30	35.30	38.90	
		45	8.30	10.80	13.80	17.40	21.70	26.70	29.00	32.70	36.00	
		50	7.60	9.90	12.70	16.10	20.00	24.70	26.80	30.20	33.30	
		55	6.20	9.10	11.70	14.80	18.50	22.80	24.70	27.90	30.70	
		60	5.60	8.40	10.80	13.60	17.00	21.00	22.70	25.60	28.20	
		65	5.00	6.80	9.90	12.50	15.60	19.30	20.90	23.50	25.80	
		P	20	4.40	4.90	5.30	5.70	6.00	6.30	6.40		
			25	4.60	5.10	5.60	6.10	6.50	6.80	7.00	7.10	7.20
			30	4.70	5.30	5.90	6.40	6.90	7.30	7.50	7.70	7.80
			35	4.90	5.50	6.10	6.70	7.30	7.80	8.00	8.30	8.50
			40	4.90	5.70	6.40	7.00	7.70	8.30	8.50	8.80	9.10
		45	5.00	5.80	6.60	7.30	8.10	8.70	9.00	9.40	9.70	
		50	5.00	5.90	6.70	7.60	8.40	9.20	9.50	9.90	10.30	
		55	5.10	6.00	6.90	7.80	8.70	9.60	9.90	10.50	10.90	
		60	5.00	6.00	7.10	8.10	9.10	10.10	10.40	11.00	11.40	
		65	5.00	6.10	7.20	8.30	9.40	10.50	10.90	11.50	12.00	

Notes:

1. Suction Gas Temperature 20°C
2. Suction Gas Temperature 0°C
3. Liquid subcooling OK

Performance Data

60 Hz

Q=Capacity (kW) P=Power input (kW)

Model	Condensing Temperature °C	Evaporating Temperature °C										
		-45	-40	-35	-30	-25	-20	-15	-10	-5		
3SC1-1000	Q	10	5.60	7.60	10.20	13.40	17.20	21.70	26.90	33.00	39.90	
		15	5.00	7.00	9.50	12.50	16.10	20.40	25.50	31.30	38.00	
		20	4.50	6.30	8.70	11.60	15.10	19.20	24.00	29.60	36.00	
		25	3.90	5.70	7.90	10.60	14.00	17.90	22.50	27.90	34.10	
		30	3.40	5.10	7.10	9.70	12.90	16.70	21.10	26.20	32.10	
		35	2.90	4.50	6.40	8.80	11.80	15.30	19.60	24.50	30.20	
		40	2.40	3.90	5.70	7.90	10.70	14.10	18.20	22.80	28.20	
		45	1.90	3.30	5.00	7.20	9.60	12.80	16.60	21.10	26.30	
		50		2.80	4.40	6.30	8.70	11.60	15.20	19.50	24.30	
		55		2.30	3.70	5.60	7.80	10.40	13.70	17.70	22.40	
		P	10	3.30	3.80	4.20	4.70	5.20	5.70	6.20	6.80	7.30
			15	3.40	3.90	4.40	4.90	5.40	6.00	6.50	7.10	7.70
			20	3.40	3.90	4.50	5.10	5.70	6.20	6.80	7.50	8.10
			25	3.40	4.00	4.60	5.20	5.90	6.50	7.20	7.80	8.50
		30	3.30	4.00	4.70	5.40	6.00	6.80	7.50	8.20	9.00	
		35	3.20	4.00	4.70	5.50	6.20	7.00	7.80	8.60	9.40	
		40	3.00	3.90	4.70	5.60	6.40	7.20	8.10	9.00	9.90	
		45	2.90	3.80	4.70	5.60	6.50	7.50	8.40	9.40	10.40	
		50		3.70	4.70	5.70	6.70	7.70	8.70	9.80	10.80	
		55		3.50	4.60	5.70	6.80	7.90	9.00	10.20	11.40	
3SS1-1500	Q	10	7.40	10.30	13.80	18.00	23.00	28.90	35.70	43.60	52.70	
		15	6.70	9.40	12.80	16.80	21.50	27.20	33.80	41.40	50.00	
		20	5.90	8.50	11.70	15.60	20.10	25.50	31.80	39.10	47.40	
		25	5.20	7.70	10.70	14.40	18.80	23.90	29.90	36.80	44.80	
		30	4.40	6.80	9.70	13.20	17.30	22.30	28.00	34.60	42.20	
		35	3.70	6.00	8.70	12.00	15.90	20.60	26.10	32.40	39.70	
		40	3.10	5.30	7.90	10.90	14.60	19.00	24.30	30.30	37.20	
		45	2.40	4.50	7.00	10.00	13.30	17.50	22.30	28.20	34.70	
		50		3.80	6.20	9.00	12.10	16.00	20.60	26.20	32.30	
		55		3.20	5.40	8.10	11.20	14.60	18.90	23.90	30.00	
		P	10	4.50	5.20	5.90	6.60	7.40	8.20	9.10	10.10	11.20
			15	4.50	5.30	6.10	6.90	7.70	8.60	9.50	10.60	11.70
			20	4.50	5.40	6.30	7.10	8.00	8.90	9.90	11.00	12.20
			25	4.50	5.50	6.40	7.30	8.30	9.30	10.30	11.50	12.70
		30	4.40	5.50	6.50	7.50	8.60	9.60	10.70	11.90	13.20	
		35	4.30	5.50	6.60	7.70	8.80	9.90	11.10	12.40	13.70	
		40	4.20	5.40	6.70	7.90	9.10	10.30	11.50	12.80	14.20	
		45	4.00	5.40	6.70	8.00	9.30	10.60	11.90	13.30	14.80	
		50		5.30	6.80	8.20	9.50	11.00	12.40	13.80	15.40	
		55		5.20	6.80	8.30	9.80	11.30	12.80	14.40	16.00	

Notes:

1. Suction Gas Temperature 20°C
2. Liquid subcooling 0K
3. Suction Superheat 20K
4. Suction Superheat 20K + FAN
5. Suction Gas Temperature 20°C + FAN + DTC

Performance Data

60 Hz

Q=Capacity (kW) P=Power input (kW)

Model	Condensing Temperature °C	Evaporating Temperature °C													
		-25	-20	-15	-10	-5	0	5	7	10	12.5				
3SCH-1000	Q	10	16.00	20.40	25.60	31.80	39.20								
		15	15.00	19.20	24.10	30.00	37.00	45.20							
		20	14.10	18.00	22.70	28.30	34.90	42.70	51.70	55.70					
		25	13.20	16.90	21.30	26.60	32.90	40.30	48.80	52.60	58.80	64.30			
		30	12.30	15.80	20.00	25.00	30.90	37.90	46.00	49.60	55.40	60.70			
		35	11.50	14.80	18.70	23.40	29.00	35.60	43.30	46.70	52.20	57.10			
		40	10.20	13.80	17.50	21.90	27.20	33.40	40.60	43.80	49.00	53.70			
		45		12.40	16.40	20.50	25.40	31.20	38.00	41.00	45.90	50.30			
		50		11.50	14.80	19.10	23.70	29.10	35.50	38.30	42.90	47.00			
		55			13.70	17.80	22.00	27.10	33.00	35.70	40.00	43.80			
		60			12.70	16.10	20.50	25.10	30.70	33.10	37.10	40.70			
		62				15.60	19.90	24.40	29.70	32.10	36.00	39.50			
	3SCH-1000	P	10	5.00	5.20	5.30	5.20	5.00							
			15	5.40	5.70	5.90	5.90	5.80	5.60						
		20	5.70	6.10	6.40	6.60	6.60	6.50	6.30	6.10					
		25	6.10	6.50	6.90	7.20	7.40	7.40	7.30	7.20	7.00	6.80			
		30	6.30	6.90	7.40	7.80	8.10	8.30	8.30	8.30	8.20	8.10			
		35	6.50	7.20	7.80	8.40	8.80	9.10	9.30	9.30	9.30	9.30			
		40	6.70	7.50	8.20	8.90	9.50	9.90	10.30	10.40	10.50	10.50			
		45		7.80	8.60	9.40	10.10	10.70	11.20	11.40	11.60	11.70			
		50		8.00	9.00	9.90	10.70	11.50	12.10	12.40	12.70	12.90			
		55			9.30	10.30	11.30	12.20	13.00	13.30	13.70	14.10			
		60			9.60	10.80	11.90	12.90	13.90	14.30	14.80	15.20			
		62				10.90	12.10	13.20	14.30	14.70	15.20	15.70			
3SSH-1500		Q	10	22.50	28.20	35.00	43.00	52.40							
			15	21.20	26.60	33.10	40.70	49.70	60.10						
		20	19.90	25.00	31.20	38.50	47.00	57.00	68.40	73.40					
		25	18.70	23.50	29.40	36.30	44.40	53.90	64.80	69.60	77.30	84.20			
		30	17.50	22.10	27.60	34.20	41.90	50.90	61.20	65.80	73.10	79.70			
		35	16.30	20.70	26.00	32.20	39.50	47.90	57.70	62.10	69.00	75.20			
		40	14.70	19.40	24.30	30.20	37.10	45.10	54.30	58.40	64.90	70.80			
		45		17.60	22.80	28.30	34.70	42.30	51.00	54.80	61.00	66.50			
		50		16.20	20.70	26.40	32.50	39.50	47.70	51.30	57.10	62.30			
		55			19.20	24.60	30.20	36.80	44.40	47.80	53.20	58.10			
		60			17.70	22.30	28.10	34.20	41.30	44.40	49.50	54.00			
		62				21.60	27.20	33.20	40.00	43.10	48.00	52.40			
	3SSH-1500	P	10	7.10	7.40	7.70	7.80	7.70							
			15	7.70	8.10	8.50	8.70	8.80	8.70						
		20	8.10	8.70	9.20	9.60	9.80	9.90	9.80	9.70					
		25	8.50	9.20	9.90	10.40	10.80	11.10	11.10	11.10	11.00	10.90			
		30	8.80	9.70	10.50	11.10	11.70	12.10	12.40	12.40	12.50	12.40			
		35	9.10	10.10	11.00	11.80	12.50	13.10	13.60	13.70	13.90	14.00			
		40	9.30	10.40	11.40	12.40	13.30	14.10	14.80	15.00	15.30	15.50			
		45		10.70	11.90	13.00	14.10	15.00	15.90	16.20	16.60	16.90			
		50		11.00	12.30	13.60	14.80	16.00	17.10	17.40	18.00	18.40			
		55			12.80	14.20	15.60	17.00	18.20	18.70	19.40	19.90			
		60			13.30	14.90	16.40	17.90	19.40	20.00	20.80	21.40			
		62				15.10	16.80	18.40	19.90	20.50	21.30	22.00			

Notes:

1. Suction Gas Temperature 20°C
2. SH 20K
3. Liquid subcooling 0K

Performance Data

Q=Capacity (kW) P=Power input (kW)

60 Hz

Model	Condensing Temperature °C	Evaporating Temperature °C									
		-45	-40	-35	-30	-25	-20	-15	-10	-5	
3SC1-100E	Q	20	5.20	7.30	10.00	13.20	17.10	21.70	27.10	33.30	40.40
		25	4.60	6.60	9.10	12.10	15.80	20.10	25.10	31.00	37.70
		30	3.70	5.90	8.20	11.00	14.40	18.50	23.20	28.70	34.90
		35	3.10	5.20	7.30	9.90	13.10	16.80	21.20	26.30	32.20
		40	2.60	4.00	6.50	8.90	11.80	15.20	19.20	23.90	29.40
		45	2.10	3.40	5.00	7.80	10.40	13.50	17.20	21.50	26.60
		50		2.80	4.20	6.80	9.10	11.90	15.30	19.20	23.80
	55		2.30	3.50	4.90	7.80	10.30	13.30	16.80	20.90	
	P	20	3.40	4.20	4.90	5.70	6.40	7.10	7.70	8.20	8.60
		25	3.40	4.20	5.00	5.90	6.70	7.50	8.20	8.80	9.30
		30	3.40	4.20	5.10	6.00	6.90	7.80	8.60	9.40	10.10
		35	3.40	4.20	5.20	6.10	7.10	8.10	9.00	9.90	10.70
		40	3.30	4.20	5.20	6.20	7.30	8.30	9.30	10.30	11.30
		45	3.20	4.20	5.20	6.20	7.40	8.50	9.60	10.70	11.80
50			4.10	5.10	6.30	7.40	8.60	9.80	11.10	12.20	
55		4.00	5.10	6.20	7.50	8.70	10.00	11.30	12.60		
3SS1-150E	Q	20	7.80	10.60	13.90	18.00	22.80	28.50	35.20	42.80	51.60
		25	6.90	9.60	12.80	16.70	21.20	26.60	32.80	40.00	48.30
		30	5.70	8.70	11.70	15.30	19.60	24.60	30.50	37.20	44.90
		35	4.80	7.80	10.70	14.10	18.00	22.70	28.10	34.40	41.60
		40	4.10	6.30	9.60	12.80	16.50	20.80	25.80	31.70	38.40
		45	3.30	5.40	7.80	11.60	15.00	18.90	23.50	28.90	35.10
		50		4.60	6.80	10.30	13.40	17.10	21.30	26.20	31.90
	55		3.80	5.80	8.00	11.90	15.20	19.10	23.50	28.60	
	P	20	5.10	6.00	7.00	8.00	8.90	9.80	10.50	11.10	11.50
		25	5.10	6.10	7.10	8.20	9.30	10.30	11.20	12.00	12.70
		30		6.10	7.20	8.40	9.60	10.80	11.90	12.90	13.70
		35		6.20	7.30	8.50	9.80	11.10	12.40	13.60	14.70
		40			7.40	8.70	10.00	11.50	12.90	14.20	15.50
		45				8.80	10.20	11.80	13.30	14.80	16.30
50					9.00	10.50	12.00	13.70	15.40	17.00	
55					10.70	12.30	14.10	15.90	17.70		

Notes:

- Suction Gas Temperature 20°C
- Light Blue Suction Gas Temperature 0°C
- Dark Blue Suction Gas Temperature 0°C + Fan
- Liquid subcooling 0K

Performance Data

Q=Capacity (kW) P=Power input (kW)

60 Hz

Model	Condensing Temperature °C	Evaporating Temperature °C									
		-30	-25	-20	-15	-10	-5	0	5	7	
3SCH-100E	Q	20	13.60	17.40	21.90	27.30	33.50	40.80	49.00	58.40	62.40
		25	12.60	16.20	20.40	25.50	31.30	38.10	45.80	54.60	58.40
		30	11.60	14.90	18.90	23.60	29.10	35.40	42.70	50.80	54.40
		35	10.50	13.70	17.40	21.80	26.90	32.70	39.40	47.00	50.40
		40	9.40	12.40	15.90	19.90	24.60	30.00	36.20	43.20	46.30
		45	8.40	11.20	14.40	18.10	22.30	27.30	32.90	39.30	42.10
		50	7.40	9.90	12.80	16.20	20.00	24.50	29.60	35.40	38.00
	P	55	8.60	11.30	14.30	17.70	21.70	26.30	31.50	33.80	
		20	5.80	6.40	6.90	7.40	7.70	7.90	7.90	7.70	7.50
		25	6.00	6.70	7.40	7.90	8.40	8.70	8.90	8.80	8.80
		30	6.10	6.90	7.70	8.40	9.00	9.50	9.80	10.00	9.90
		35	6.30	7.20	8.00	8.90	9.60	10.30	10.70	11.00	11.10
		40	6.30	7.30	8.30	9.20	10.10	10.90	11.50	12.00	12.10
		45	6.30	7.40	8.50	9.50	10.60	11.50	12.30	12.90	13.10
50	6.30	7.50	8.60	9.80	10.90	12.00	12.90	13.70	14.00		
3SSH-150E	Q	55	7.40	8.70	10.00	11.20	12.40	13.50	14.50	14.80	
		20	19.20	24.10	29.90	36.80	44.90	54.30	65.00	77.30	82.60
		25	17.70	22.30	27.90	34.40	42.00	50.90	61.00	72.50	77.60
		30	16.20	20.60	25.90	32.00	39.20	47.40	56.90	67.80	72.50
		35	14.80	19.00	23.90	29.60	36.30	44.00	52.90	63.00	67.40
		40	13.40	17.30	21.90	27.20	33.40	40.60	48.80	58.10	62.20
		45	12.00	15.70	20.00	24.80	30.50	37.10	44.60	53.20	57.00
	50	10.70	14.10	18.00	22.40	27.60	33.60	40.40	48.30	51.70	
	P	55	12.50	16.00	20.00	24.70	30.10	36.20	43.30	46.40	
		20	8.10	8.90	9.70	10.40	10.90	11.40	11.80	12.00	12.00
		25	8.50	9.40	10.30	11.10	11.80	12.50	13.00	13.40	13.50
		30	8.80	9.80	10.90	11.80	12.70	13.50	14.10	14.70	14.90
		35	9.00	10.20	11.40	12.50	13.50	14.40	15.20	15.90	16.20
		40	9.10	10.50	11.80	13.00	14.20	15.30	16.20	17.10	17.50
45		9.20	10.70	12.10	13.50	14.80	16.10	17.20	18.30	18.70	
50	9.20	10.80	12.40	13.90	15.40	16.80	18.10	19.30	19.80		
55	10.90	12.60	14.30	15.90	17.50	18.90	20.30	20.90			

Notes:

- 1. Suction Gas Temperature 20°C
- 2. Liquid subcooling 0K

Performance Data

60 Hz

Q=Capacity (kW) P=Power input (kW)

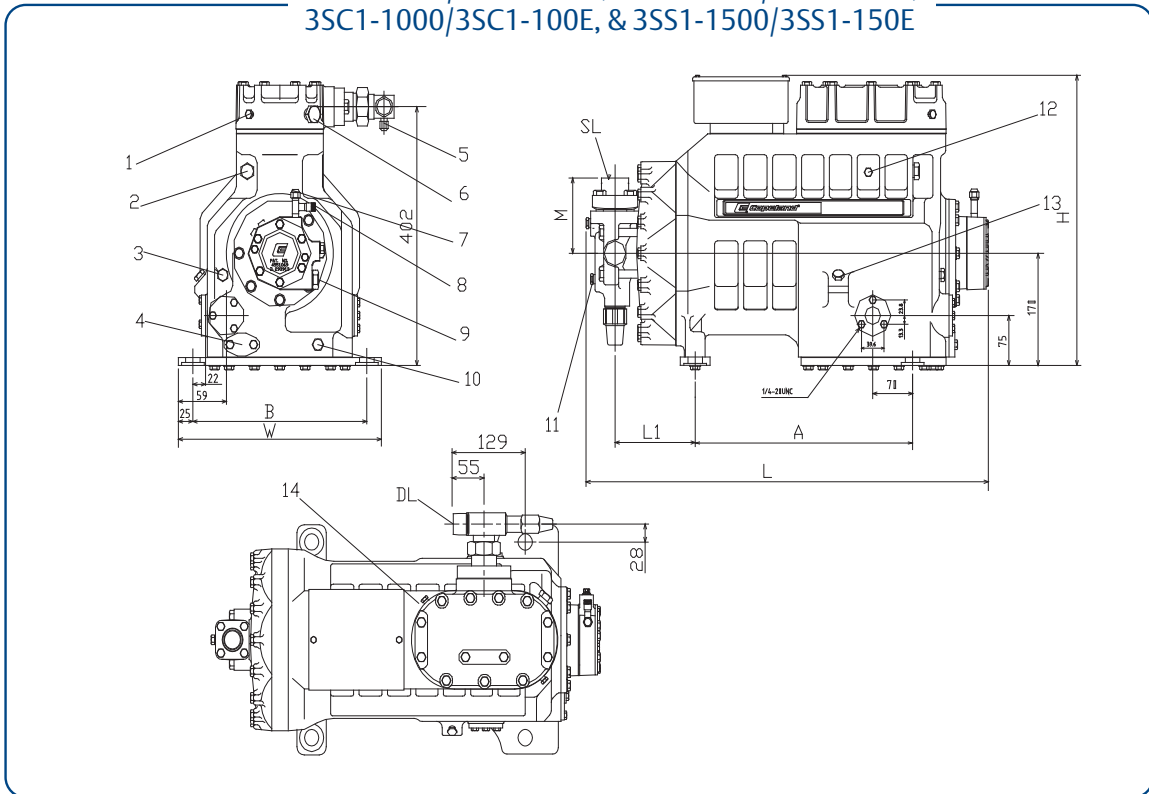
Model	Condensing Temperature °C	Evaporating Temperature °C										
		-20	-15	-10	-5	0	5	7	10	12.5		
3SC1-100E	Q	20	10.44	13.68	17.40	22.08	27.60	34.08	36.96			
		25	9.96	12.96	16.56	20.88	26.04	32.28	34.92	39.36	43.44	
		30	9.48	12.24	15.60	19.68	24.48	30.36	32.88	37.08	40.92	
		35	8.88	11.40	14.64	18.48	23.04	28.32	30.84	34.68	38.28	
		40	8.28	10.68	13.56	17.16	21.48	26.40	28.68	32.40	35.76	
		45	7.56	9.84	12.60	15.84	19.92	24.60	26.64	30.12	33.24	
		50	6.84	9.00	11.52	14.64	18.36	22.80	24.72	27.84	30.84	
		55	5.52	8.16	10.56	13.44	16.92	21.00	22.80	25.80	28.44	
		60	4.92	7.44	9.60	12.36	15.48	19.32	21.00	23.76	26.16	
		65	4.32	5.88	8.76	11.28	14.28	17.76	19.32	21.84	24.12	
		P	20	4.08	4.56	4.92	5.40	5.76	6.12	6.24		
			25	4.32	4.68	5.16	5.64	6.12	6.48	6.72	6.96	7.08
			30	4.44	4.92	5.40	5.88	6.48	6.96	7.08	7.32	7.56
			35	4.44	5.04	5.64	6.12	6.72	7.32	7.56	7.80	8.04
			40	4.56	5.16	5.76	6.36	7.08	7.68	7.92	8.28	8.64
		45	4.56	5.28	5.88	6.60	7.32	8.04	8.28	8.76	9.12	
		50	4.56	5.28	6.12	6.84	7.56	8.40	8.76	9.24	9.60	
		55	4.56	5.40	6.12	6.96	7.92	8.76	9.12	9.60	10.08	
		60	4.44	5.40	6.24	7.20	8.16	9.12	9.48	10.08	10.56	
		65	4.44	5.28	6.36	7.32	8.40	9.36	9.84	10.44	11.04	
3SS1-150E	Q	20	13.80	17.88	23.04	29.04	36.36	45.00	48.84			
		25	13.20	17.04	21.72	27.48	34.32	42.36	45.96	51.84	57.12	
		30	12.36	15.96	20.40	25.80	32.16	39.72	43.20	48.60	53.64	
		35	11.64	15.00	19.20	24.12	30.12	37.20	40.32	45.48	50.04	
		40	10.80	13.92	17.88	22.44	28.08	34.56	37.56	42.36	46.68	
		45	9.96	12.96	16.56	20.88	26.04	32.04	34.80	39.24	43.20	
		50	9.12	11.88	15.24	19.32	24.00	29.64	32.16	36.24	39.96	
		55	7.44	10.92	14.04	17.76	22.20	27.36	29.64	33.48	36.84	
		60	6.72	10.08	12.96	16.32	20.40	25.20	27.24	30.72	33.84	
		65	6.00	8.16	11.88	15.00	18.72	23.16	25.08	28.20	30.96	
		P	20	5.28	5.88	6.36	6.84	7.20	7.56	7.68		
			25	5.52	6.12	6.72	7.32	7.80	8.16	8.40	8.52	8.64
			30	5.64	6.36	7.08	7.68	8.28	8.76	9.00	9.24	9.36
			35	5.88	6.60	7.32	8.04	8.76	9.36	9.60	9.96	10.20
			40	5.88	6.84	7.68	8.40	9.24	9.96	10.20	10.56	10.92
		45	6.00	6.96	7.92	8.76	9.72	10.44	10.80	11.28	11.64	
		50	6.00	7.08	8.04	9.12	10.08	11.04	11.40	11.88	12.36	
		55	6.12	7.20	8.28	9.36	10.44	11.52	11.88	12.60	13.08	
		60	6.00	7.20	8.52	9.72	10.92	12.12	12.48	13.20	13.68	
		65	6.00	7.32	8.64	9.96	11.28	12.60	13.08	13.80	14.40	

Notes:

1. Suction Gas Temperature 20°C
2. Suction Gas Temperature 0°C
3. Liquid subcooling 0K

Dimensional Drawing

3SCH-1000/3SCH-100E, 3SSH-1500/3SSH-150E,
3SC1-1000/3SC1-100E, & 3SS1-1500/3SS1-150E

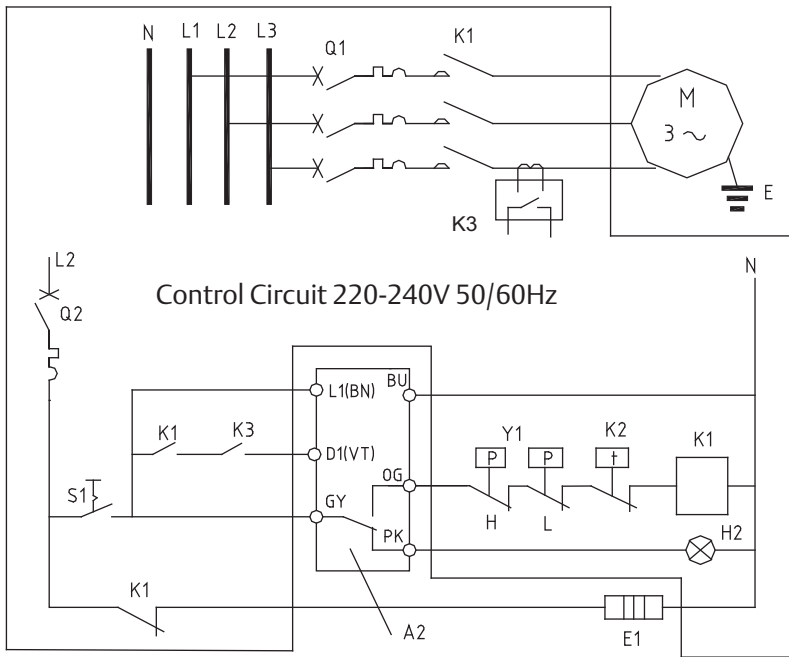


SL – Suction line (rotalock) DL – Discharge line (rotalock)

1. Plug low pressure connection	1/8"-27NPTF	8. Oil pressure connection	7/16"-20UNF
2. Plug low pressure connection	1/2"-14NPTF	9. Oil Pressure Switch sensor connection	3/4"-16UNF
3. Plug oil-pressure control L. P.	1/4"-18NPTF	10. Plug -crankcase heater	3/8"-18NPSL
4. Magnetic plug	1/8"-27NPTF	11. Plug low-pressure connection	1/8"-27NPTF
5. Nut high pressure connection	7/16"-20UNF	12. DTC valve plug connection	1/4"-18NPTF
6. Plug high pressure connection	1/2"-14NPTF	13. Plug oil charge	1/4"-18NPTF
7. Connection oil-pressure control H. P.	1/4"	14. Plug high pressure connection	1/8"-27NPTF

Model	SL Ø (Suction Line)	DL Ø (Discharge Line)	A (Mounting Length)	B (Mounting Width)	L (Length)	W (Width)	H (Height)
3SCH-1000 / 3SCH-100E	1 3/8"	1 1/8"	381 mm	305 mm	680mm	370 mm	443mm
3SSH-1500 / 3SSH-150E	1 5/8"	1 1/8"	381 mm	305 mm	710 mm	370 mm	443 mm
3SC1-1000 / 3SC1-100E	1 3/8"	1 1/8"	381 mm	305 mm	653 mm	370 mm	443 mm
3SS1-1500 / 3SS1-150E	1 3/8"	1 1/8"	381 mm	305 mm	680 mm	370 mm	443 mm

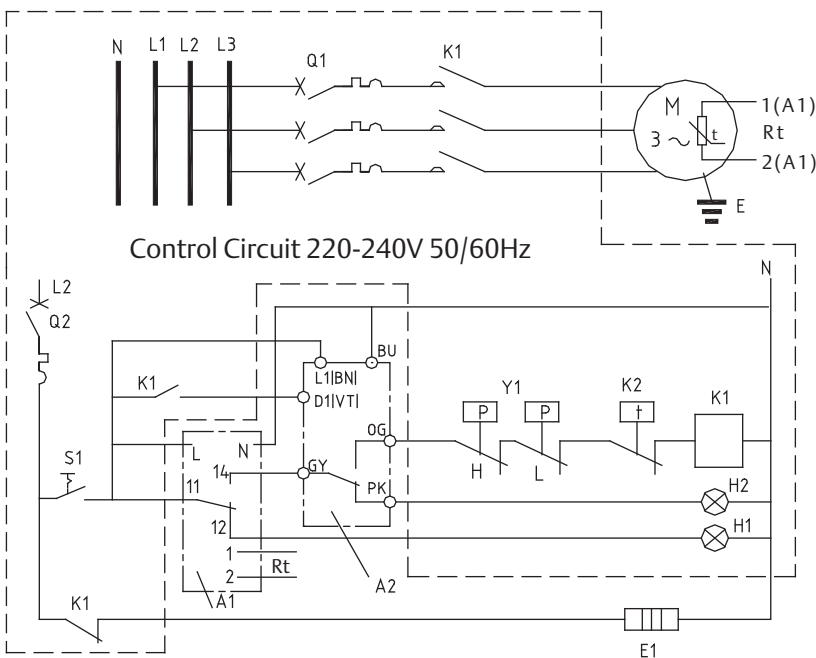
Electrical Diagram with Motor Protector Code - F



Electrical Diagram Coding:

- A1: Motor protector module
- A2: Oil differential Switch OPS2
- D1: Operating recognition connection
- E: Grounding Connection
- E1: Crankcase heater
- H1: Alarm indicator for motor protection
- H2: Alarm indicator for oil differential pressure
- K1: Contactor
- K2: Thermostat
- K3: Current sensing relay
- L1, L2, L3: Voltage Connection
380-420V-3-50/60Hz-Y
220-240V-3-60Hz-Delta
440-480V-3-60Hz-Y
- M: Compressor motor
- N: Neutral connection
- Q1: Mini-breaker
- Q2: Mini-breaker
- Rt: PTC Thermistors
- S1: Control Switch
- Y1: H/L pressure switches

Electrical Diagram for Motor Protector Code - W

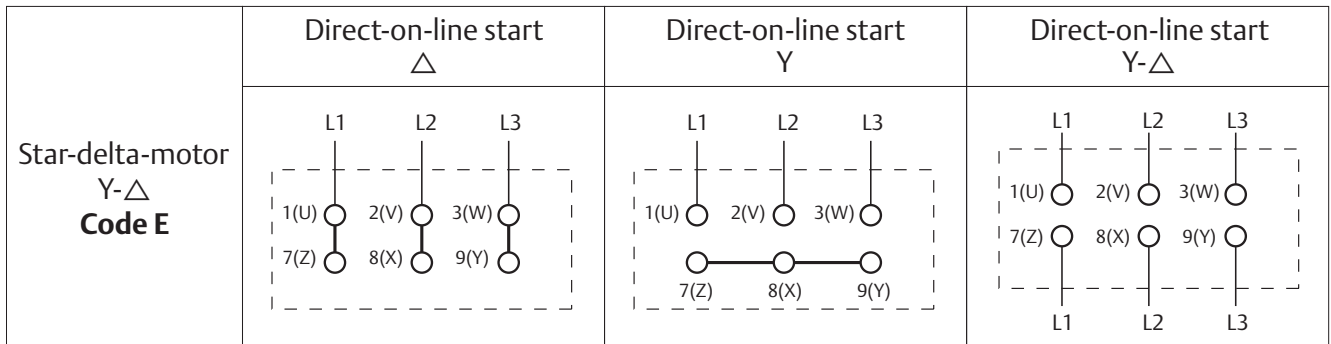


Color code

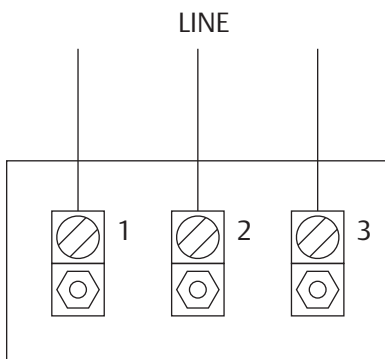
- VT: violet
- OG: orange
- GY: grey
- BN: brown
- BU: blue
- PK: pink

Terminal Jumper Schematics

Dual Voltage Motor



Terminal Schematics (Code T)



Motor Current Data (A)

Star Connection (Y)

R22 (400V-3-50Hz/380V-3-60Hz) $t_c=40^\circ\text{C(CT)}$

Model	Evaporating temperature $^\circ\text{C}$													
	-45	-40	-35	-30	-25	-20	-15	-10	-5	0	5	7	10	12.5
3SCH-1000					8.6/10.2	11.7/13.8	14.8/17.5	18.6/21.9	23.0/27.2	28.3/33.4	34.4/40.6	37.1/43.8	41.5/49.0	45.5/53.7
3SSH-1500					12.4/14.7	16.4/19.4	20.6/24.3	25.6/30.2	31.4/37.1	38.2/45.1	46.0/54.3	49.5/58.4	55.0/64.9	60.0/70.8
3SC1-1000	2.0/2.4	3.3/3.9	4.8/5.7	6.8/8.0	9.2/10.8	12.0/14.2	15.4/18.2	19.4/22.8	23.9/28.2					
3SS1-1500	2.6/3.1	4.5/5.3	6.7/7.9	9.4/11.1	12.6/14.8	16.3/19.2	20.6/24.3	25.7/30.3	31.5/37.2					

Star Connection (Y)

R404A/507 (400V-3-50Hz/380V-3-60Hz) $t_c=40^\circ\text{C(CT)}$

Model	Evaporating temperature $^\circ\text{C}$													
	-45	-40	-35	-30	-25	-20	-15	-10	-5	0	5	7	10	12.5
3SCH-100E				8.0/9.4	10.5/12.4	13.5/15.9	16.9/19.9	20.9/24.6	25.4/30.0	30.7/36.2	36.6/43.2	39.2/46.3		
3SSH-150E				11.4/13.4	14.7/17.3	18.6/21.9	23.1/27.2	28.3/33.4	34.4/40.6	41.3/48.8	49.2/58.1	52.7/62.2		
3SC1-100E	2.2/2.6	3.4/4.0	5.5/6.5	7.5/8.9	9.9/11.8	12.9/15.2	16.3/19.2	20.3/23.9	24.9/29.4					
3SS1-150E	3.4/4.1	5.3/6.3	8.1/9.6	10.8/12.8	14.0/16.5	17.6/20.8	21.9/25.8	26.8/31.7	32.5/38.4					

Star Connection (Y)

R134a (400V-3-50Hz/380V-3-60Hz) $t_c=40^\circ\text{C(CT)}$

Model	Evaporating temperature $^\circ\text{C}$													
	-45	-40	-35	-30	-25	-20	-15	-10	-5	0	5	7	10	12.5
3SC1-100E						6.9/8.3	8.9/10.7	11.3/13.6	14.3/17.2	17.9/21.5	22.0/26.4	23.9/28.7	27.0/32.4	29.8/35.8
3SS1-150E						9.0/10.8	11.6/13.9	14.9/17.9	18.7/22.4	23.4/28.1	29.8/35.8	31.3/37.6	35.3/42.4	38.9/46.7

Delta Connection

R22 (230V-3-60Hz) $t_c=40^\circ\text{C(CT)}$

Model	Evaporating temperature $^\circ\text{C}$													
	-45	-40	-35	-30	-25	-20	-15	-10	-5	0	5	7	10	12.5
3SCH-1000					17.9	24.2	30.6	38.3	47.6	58.5	71.1	76.7	85.8	94.0
3SSH-1500					25.7	34.0	42.5	52.9	64.9	78.9	95.0	102.2	113.6	123.9
3SC1-1000	4.2	6.8	10.0	14.0	18.9	24.9	31.9	39.9	49.4					
3SS1-1500	5.4	9.3	13.8	19.4	25.9	33.6	42.5	53.0	65.1					

Delta Connection

R404A/507 (230V-3-60Hz) $t_c=40^\circ\text{C(CT)}$

Model	Evaporating temperature $^\circ\text{C}$													
	-45	-40	-35	-30	-25	-20	-15	-10	-5	0	5	7	10	12.5
3SCH-100E				16.5	21.7	27.8	34.8	43.1	52.5	63.4	75.6	81.0		
3SSH-150E				23.5	30.3	38.3	47.6	58.5	71.1	85.4	101.7	108.9		
3SC1-100E	4.6	7.0	11.4	15.6	20.7	26.6	33.6	41.8	51.5					
3SS1-150E	7.2	11.0	16.8	22.4	28.9	36.4	45.2	55.5	67.2					

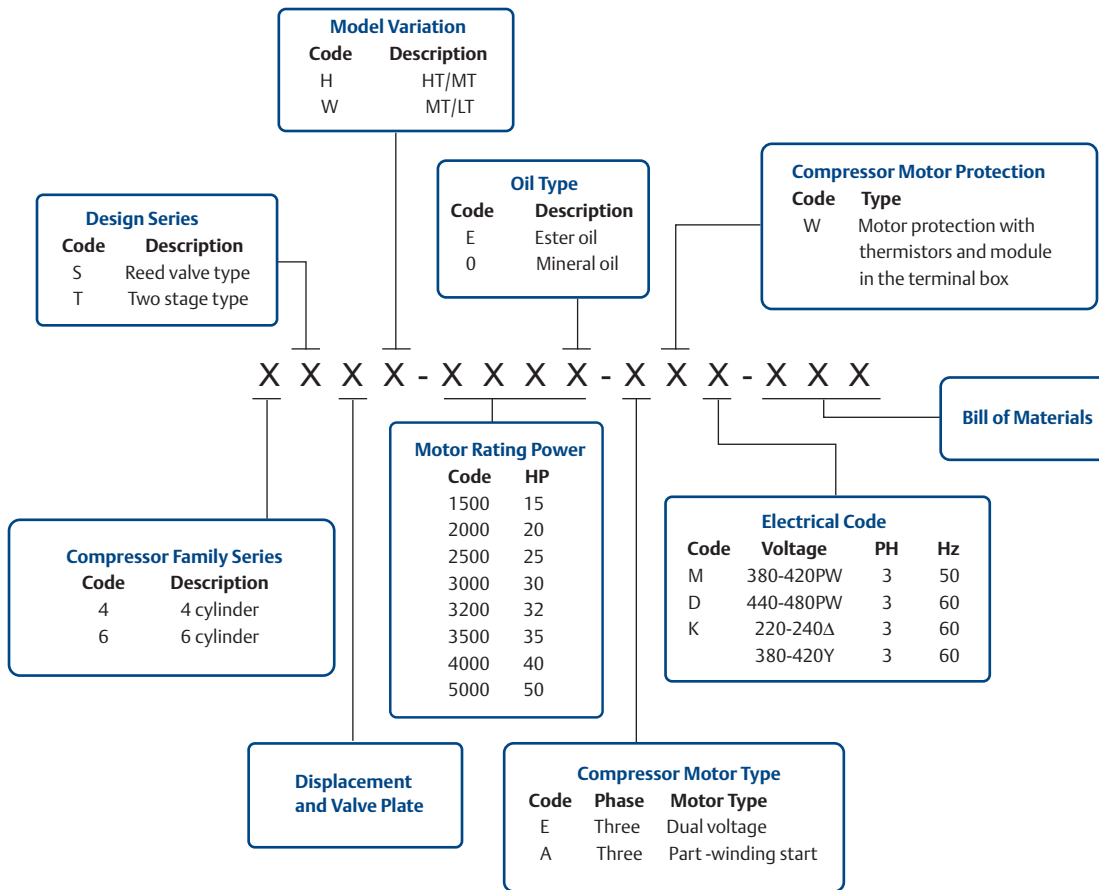
Delta Connection

R134a (230V-3-60Hz) $t_c=40^\circ\text{C(CT)}$

Model	Evaporating temperature $^\circ\text{C}$													
	-45	-40	-35	-30	-25	-20	-15	-10	-5	0	5	7	10	12.5
3SC1-100E						14.5	18.7	23.7	30.0	37.6	46.2	50.2	56.7	62.6
3SS1-150E						18.9	24.4	31.3	39.3	49.1	62.6	65.7	74.1	81.7

4S/6S Series

Model Nomenclature & Bill of Materials



Bill of Materials (BOM)

4S Series	000
Mounting Parts	√
Rotalock/Service valve	√
Crankcase Heater	√
Electronic Oil Pressure Switch (OPS2)	√
Motor Protection Module	√
Discharge Temp Control Valve (DTC)	*accessory

Note: * To be ordered separately
 DTC Valve part number
 510-0549-01 KIT-DTC VALVE
 (SENSING ON CYL. HEAD)(SUITABLE FOR 50Hz MOTOR)
 510-0549-00 KIT-DTC VALVE
 (SENSING ON BODY)(SUITABLE FOR 60Hz MOTOR)

6S Series	010	000
Mounting Parts	√	√
Rotalock/Service valve	√	√
Crankcase Heater	√	√
Electronic Oil Pressure Switch (OPS2)	√	√
Motor Protection Module	√	√
Discharge Temp Control Valve (DTC)	√	*accessory

Note: * To be ordered separately
 DTC Valve part number
 510-0547-00 for 6SLW-2500(E)
 510-0548-00 for 6STW-3200(E)
 510-0577-00 for 6SUW-4000(E)

Performance Data

50 Hz

Q=Capacity (kW) P=Power input (kW)

Model	Condensing Temperature °C	Evaporating Temperature °C										
		-45	-40	-35	-30	-25	-20	-15	-10	-5		
4SLW-1500	Q	10	8.30	11.40	15.10	19.70	25.20	31.70	39.30	48.10	58.10	
		15	7.80	10.70	14.40	18.80	24.10	30.50	37.90	46.40	56.20	
		20	7.10	10.00	13.50	17.80	23.00	29.10	36.30	44.60	54.10	
		25	6.50	9.20	12.60	16.70	21.80	27.70	34.60	42.60	51.80	
		30	5.80	8.40	11.60	15.60	20.30	26.10	32.70	40.50	49.30	
		35	5.20	7.60	10.60	14.30	18.90	24.30	30.80	38.20	46.70	
		40	4.50	6.80	9.70	13.00	17.30	22.40	28.70	35.80	44.00	
		45	3.80	5.90	8.60	12.00	15.70	20.60	26.30	33.30	41.10	
		50		5.10	7.60	10.60	14.10	18.60	24.10	30.70	38.20	
		55		4.30	6.50	9.30	12.80	16.70	21.70	27.80	35.10	
		P	10	4.90	5.50	6.10	6.70	7.10	7.50	7.70	7.80	7.80
			15	5.00	5.80	6.50	7.20	7.80	8.30	8.80	9.00	9.20
			20	5.20	6.00	6.90	7.70	8.40	9.10	9.70	10.20	10.60
			25	5.30	6.20	7.20	8.10	9.00	9.90	10.70	11.30	11.90
			30	5.40	6.40	7.50	8.50	9.50	10.60	11.50	12.40	13.10
			35	5.40	6.50	7.70	8.80	10.00	11.20	12.30	13.30	14.30
			40	5.30	6.50	7.80	9.10	10.50	11.80	13.00	14.20	15.40
			45	5.20	6.60	7.90	9.30	10.80	12.30	13.70	15.10	16.40
		50		6.50	8.00	9.50	11.10	12.70	14.30	15.90	17.40	
		55		6.40	8.00	9.60	11.40	13.10	14.90	16.60	18.30	
4STW-2000	Q	10	9.30	13.00	17.50	23.10	29.90	37.80	47.10	57.80	69.90	
		15	8.60	12.10	16.50	21.90	28.40	36.00	45.00	55.30	67.00	
		20	7.90	11.30	15.40	20.60	26.80	34.20	42.80	52.70	64.00	
		25	7.20	10.40	14.30	19.30	25.30	32.30	40.60	50.10	61.00	
		30	6.60	9.50	13.20	17.90	23.50	30.40	38.30	47.40	57.90	
		35	5.90	8.70	12.20	16.50	21.80	28.20	36.00	44.70	54.80	
		40	5.20	7.80	11.20	15.10	20.10	26.20	33.60	41.90	51.60	
		45	4.60	6.90	10.10	13.90	18.40	24.10	30.90	39.10	48.30	
		50		6.10	8.90	12.50	16.60	21.90	28.30	36.20	44.90	
		55		5.20	7.70	11.10	15.20	19.70	25.70	32.90	41.50	
		P	10	5.10	5.90	6.80	7.60	8.50	9.20	9.90	10.60	11.10
			15	5.30	6.20	7.20	8.10	9.10	10.00	10.80	11.60	12.30
			20	5.50	6.50	7.60	8.60	9.70	10.70	11.70	12.60	13.50
			25	5.70	6.80	7.90	9.10	10.30	11.40	12.60	13.60	14.60
			30	5.80	7.00	8.20	9.50	10.80	12.10	13.40	14.60	15.80
			35	6.00	7.20	8.60	9.90	11.40	12.80	14.20	15.60	16.90
			40	6.10	7.40	8.90	10.40	11.90	13.50	15.00	16.50	18.00
			45	6.20	7.60	9.10	10.80	12.40	14.10	15.80	17.50	19.10
		50		7.80	9.40	11.10	12.90	14.70	16.50	18.40	20.20	
		55		7.90	9.60	11.50	13.40	15.30	17.30	19.30	21.20	

Notes:

1. Suction Gas Temperature 20°C
2. Liquid subcooling 0K
3. Suction SH 20K
4. Suction SH 20K + Fan
5. Suction Gas Temperature 20°C + Fan + Liq. Inj.

Performance Data

Q=Capacity (kW) P=Power input (kW)

50 Hz

Model	Condensing Temperature °C	Evaporating Temperature °C													
		-25	-20	-15	-10	-5	0	5	7	10	12.5				
4SAH-2000	Q	10	21.40	26.90	33.40	41.10	50.10	60.40							
		15	20.20	25.50	31.80	39.20	47.70	57.70							
		20	19.10	24.10	30.10	37.20	45.40	54.90	65.80	70.60					
		25	17.90	22.70	28.50	35.20	43.10	52.10	62.60	67.20	74.50	81.10			
		30	16.80	21.40	26.80	33.20	40.70	49.30	59.30	63.70	70.70	77.00			
		35	15.20	20.00	25.20	31.20	38.30	46.50	56.00	60.20	66.80	72.80			
		40	13.90	18.20	23.50	29.20	36.00	43.70	52.70	56.60	63.00	68.60			
		45	12.70	16.70	21.90	27.30	33.60	40.90	49.40	53.10	59.10	64.50			
		50	11.20	15.00	19.80	25.30	31.20	38.10	46.10	49.60	55.20	60.30			
		55			17.70	23.00	28.90	35.40	42.80	46.10	51.40	56.10			
		60				20.50	26.60	32.60	39.50	42.60	47.50	51.90			
		62				19.70	25.70	31.50	38.20	41.20	46.00	50.30			
	4SAH-2000	P	10	5.90	6.20	6.30	6.20	5.90	5.30						
			15	6.40	6.70	7.00	7.10	7.00	6.60						
		20	6.80	7.30	7.70	7.90	8.00	7.80	7.40	7.20					
		25	7.20	7.80	8.30	8.70	8.90	8.90	8.80	8.60	8.30	8.00			
		30	7.50	8.20	8.90	9.40	9.80	10.00	10.10	10.00	9.80	9.60			
		35	7.80	8.60	9.40	10.10	10.70	11.10	11.30	11.30	11.30	11.20			
		40	8.10	9.00	9.90	10.70	11.40	12.00	12.40	12.50	12.60	12.60			
		45	8.30	9.30	10.30	11.30	12.20	12.90	13.50	13.70	13.90	14.10			
		50	8.50	9.60	10.70	11.80	12.80	13.80	14.60	14.80	15.20	15.40			
		55			11.10	12.30	13.50	14.60	15.50	15.90	16.40	16.70			
		60				12.80	14.10	15.30	16.50	16.90	17.50	17.90			
		62				13.00	14.30	15.60	16.80	17.30	17.90	18.40			
4SHH-2500		Q	10	27.00	33.70	41.60	50.90	61.90	74.50						
			15	25.40	31.90	39.60	48.70	59.30	71.50						
		20	23.80	30.10	37.60	46.40	56.60	68.50	82.10	88.10					
		25	22.20	28.40	35.60	44.10	54.00	65.40	78.50	84.20	93.50	102.00			
		30	20.80	26.70	33.70	41.80	51.30	62.20	74.80	80.30	89.20	97.10			
		35	18.80	25.00	31.70	39.50	48.60	59.00	71.00	76.30	84.80	92.40			
		40	17.20	22.90	29.80	37.20	45.90	55.80	67.20	72.20	80.30	87.50			
		45	15.80	21.20	27.90	34.90	43.10	52.50	63.30	68.10	75.70	82.60			
		50	14.00	19.20	25.40	32.70	40.40	49.20	59.40	63.90	71.10	77.50			
		55			23.00	29.90	37.60	45.90	55.50	59.60	66.40	72.40			
		60				27.00	34.80	42.60	51.40	55.40	61.60	67.20			
		62				26.10	33.70	41.20	49.80	53.60	59.70	65.20			
	4SHH-2500	P	10	8.00	8.40	8.50	8.40	8.10	7.50						
			15	8.30	8.90	9.20	9.40	9.30	8.90						
		20	8.70	9.30	9.90	10.30	10.40	10.30	9.90	9.70					
		25	9.00	9.80	10.60	11.20	11.50	11.70	11.60	11.40	11.10	10.80			
		30	9.30	10.30	11.20	12.00	12.60	13.00	13.10	13.10	13.00	12.80			
		35	9.60	10.80	11.90	12.80	13.60	14.20	14.60	14.70	14.80	14.70			
		40	10.00	11.30	12.50	13.60	14.60	15.40	16.00	16.20	16.50	16.60			
		45	10.30	11.70	13.00	14.30	15.50	16.50	17.40	17.70	18.10	18.30			
		50	10.60	12.10	13.60	15.00	16.40	17.60	18.70	19.10	19.60	20.00			
		55			14.10	15.60	17.20	18.60	19.90	20.30	21.00	21.50			
		60				16.20	17.90	19.50	21.00	21.50	22.30	23.00			
		62				16.40	18.20	19.80	21.40	22.00	22.90	23.50			
4SJH-3000		Q	10	31.70	39.80	49.30	60.50	73.70	88.80						
			15	29.70	37.50	46.80	57.70	70.50	85.20						
		20	27.70	35.30	44.30	54.90	67.20	81.50	97.80	105.00					
		25	25.80	33.20	41.90	52.10	63.90	77.70	93.40	100.50	111.50	121.50			
		30	23.90	31.00	39.40	49.20	60.60	73.80	88.90	95.50	106.00	116.00			
		35	21.10	28.90	37.00	46.40	57.30	69.80	84.30	90.70	101.00	110.00			
		40	19.20	26.00	34.50	43.50	53.90	65.90	79.60	85.70	95.40	104.00			
		45	17.30	23.80	32.10	40.60	50.50	61.80	74.90	80.60	89.80	98.00			
		50	14.90	21.20	28.90	37.70	47.00	57.70	70.00	75.50	84.10	91.90			
		55			25.80	34.20	43.60	53.60	65.20	70.20	78.40	85.70			
		60				30.50	40.10	49.50	60.20	64.90	72.50	79.30			
		62				29.30	38.80	47.80	58.20	62.80	70.20	76.80			
	4SJH-3000	P	10	9.20	9.70	10.00	10.00	9.70	9.20						
			15	9.60	10.30	10.80	11.10	11.20	10.90						
		20	10.00	10.90	11.70	12.20	12.50	12.60	12.30	12.00					
		25	10.40	11.50	12.50	13.30	13.90	14.20	14.20	14.10	13.90	13.60			
		30	10.80	12.10	13.20	14.30	15.10	15.70	16.00	16.10	16.00	15.90			
		35	11.10	12.60	14.00	15.20	16.30	17.20	17.80	18.00	18.10	18.20			
		40	11.50	13.10	14.70	16.10	17.40	18.60	19.50	19.80	20.10	20.30			
		45	11.80	13.60	15.30	17.00	18.50	19.90	21.00	21.40	21.90	22.30			
		50	12.10	14.00	15.90	17.70	19.50	21.10	22.50	23.00	23.70	24.20			
		55			16.40	18.40	20.30	22.20	23.90	24.50	25.30	26.00			
		60				19.00	21.10	23.20	25.10	25.80	26.80	27.60			
		62				19.20	21.40	23.60	25.60	26.30	27.40	28.30			

Notes:

- 1. Suction Gas Temperature 20°C
- 2. Liquid subcooling 0K
- 3. Suction Superheat 20K
- 4. Suction Superheat 10K + Fan

Performance Data

Q=Capacity (kW) P=Power input (kW)

50 Hz

Model	Condensing Temperature °C	Evaporating Temperature °C																				
		-45	-40	-35	-30	-25	-20	-15	-10	-5												
4SLW-150E		10	11.40	15.10	19.70	25.40	32.20															
	Q	15	10.30	13.90	18.40	23.80	30.20	37.90														
		20	9.20	12.80	17.00	22.20	28.30	35.60	44.10													
		25	7.70	11.70	15.70	20.60	26.40	33.20	41.20	50.50												
		30	6.70	10.60	14.50	19.00	24.50	30.80	38.30	47.00	57.00											
		35	5.80	8.80	13.20	17.50	22.50	28.50	35.40	43.50	52.80											
		40	4.90	7.70	11.90	15.90	20.60	26.10	32.50	40.00	48.60											
		45	4.00	6.70	9.70	14.40	18.70	23.70	29.50	36.40	44.30											
		50		5.70	8.40	12.80	16.70	21.20	26.50	32.80	40.00											
		55		4.70	7.10	9.90	14.70	18.80	23.50	27.60	34.70											
		P	10	5.40	6.20	7.10	7.80	8.60														
	15		5.60	6.60	7.50	8.40	9.30	10.10														
	20		5.80	6.80	7.90	8.90	9.90	10.90	11.70													
	25		5.80	7.00	8.20	9.30	10.50	11.60	12.60	13.50												
	30		5.80	7.10	8.40	9.70	11.00	12.20	13.40	14.50	15.40											
	35		5.70	7.10	8.50	10.00	11.40	12.80	14.10	15.40	16.50											
	40		5.50	7.10	8.60	10.20	11.80	13.30	14.80	16.30	17.60											
45	5.30		6.90	8.60	10.40	12.10	13.80	15.50	17.10	18.60												
50			6.70	8.50	10.40	12.30	14.20	16.00	17.80	19.50												
55			6.40	8.40	10.40	12.40	14.50	16.50	18.50	20.40												
4STW-200E		10	13.50	18.10	23.70	30.60	38.80															
	Q	15	12.40	16.80	22.20	28.80	36.50	45.60														
		20	11.40	15.60	20.70	26.90	34.20	42.90	52.80													
		25	9.70	14.30	19.20	25.00	31.90	40.00	49.40	60.20												
		30	8.60	13.00	17.60	23.10	29.50	37.20	46.00	56.10	67.70											
		35	7.50	10.90	16.00	21.10	27.20	34.20	42.50	52.00	62.80											
		40	6.40	9.60	14.50	19.20	24.70	31.30	38.90	47.70	57.80											
		45	5.40	8.30	11.80	17.20	22.30	28.30	35.30	43.40	52.70											
		50		7.10	10.20	15.30	19.90	25.30	31.70	39.10	47.60											
		55		5.90	8.60	11.80	17.40	22.30	28.00	32.90	41.40											
		P	10	6.70	7.80	8.80	9.70	10.70														
	15		6.80	7.90	9.10	10.20	11.30	12.30														
	20		6.80	8.10	9.40	10.70	11.90	13.10	14.20													
	25		6.90	8.20	9.70	11.10	12.50	13.80	15.10	16.40												
	30		6.80	8.30	9.90	11.50	13.00	14.50	16.00	17.50	18.90											
	35		6.80	8.40	10.10	11.80	13.50	15.20	16.90	18.50	20.10											
	40		6.70	8.40	10.20	12.00	13.90	15.80	17.60	19.50	21.30											
45	6.50		8.30	10.20	12.20	14.20	16.20	18.30	20.40	22.40												
50			8.20	10.20	12.30	14.40	16.70	18.90	21.10	23.40												
55			7.90	10.10	12.30	14.60	17.00	19.40	21.80	24.30												

Notes:

- Suction Gas Temperature 20°C
- Suction Gas Temperature 0°C
- Suction Gas Temperature 0°C + Fan
- Suction SH 20K
- Liquid subcooling 0K

Performance Data

Q=Capacity (kW) P=Power input (kW)

50 Hz

Model	Condensing Temperature °C	Evaporating Temperature °C											
		-35	-30	-25	-20	-15	-10	-5	0	5	7		
4SAH-200E	Q	20	12.70	16.70	21.50	27.30	34.10	41.90	50.90	61.20	72.80	77.80	
		25	11.50	15.30	19.90	25.30	31.70	39.10	47.50	57.20	68.10	72.80	
		30	10.30	13.90	18.20	23.30	29.20	36.20	44.10	53.20	63.40	67.80	
		35	9.20	12.60	16.60	21.30	26.80	33.30	40.70	49.10	58.70	62.80	
		40		11.30	15.00	19.30	24.40	30.40	37.20	45.10	54.00	57.80	
		45		9.90	13.40	17.40	22.00	27.50	33.80	41.00	49.20	52.80	
		50		8.70	11.80	15.40	19.70	24.60	30.30	36.90	44.50	47.80	
		55		7.50	10.30	13.50	17.30	21.70	26.90	32.90	39.70	42.70	
		P	20	6.00	6.90	7.70	8.30	8.90	9.30	9.50	9.50	9.20	9.00
			25	6.20	7.10	8.00	8.80	9.50	10.10	10.50	10.70	10.60	10.50
			30	6.30	7.30	8.30	9.30	10.10	10.90	11.40	11.80	12.00	12.00
			35	6.30	7.50	8.60	9.60	10.70	11.50	12.30	12.80	13.20	13.30
			40		7.50	8.80	9.90	11.10	12.10	13.10	13.80	14.40	14.60
			45		7.60	8.90	10.20	11.50	12.70	13.80	14.70	15.50	15.80
		50		7.50	8.90	10.40	11.80	13.10	14.40	15.60	16.60	16.90	
		55		7.40	8.90	10.50	12.00	13.50	15.00	16.30	17.50	18.00	
4SHH-250E	Q	20	15.90	20.80	26.90	34.10	42.60	52.60	64.00	77.00	91.80	98.20	
		25	14.50	19.30	25.00	31.80	39.90	49.20	60.00	72.30	86.20	92.20	
		30	13.20	17.70	23.10	29.50	37.00	45.80	55.90	67.40	80.40	86.10	
		35	11.90	16.10	21.10	27.10	34.10	42.30	51.70	62.40	74.60	79.90	
		40		14.60	19.20	24.70	31.20	38.70	47.40	57.30	68.60	73.50	
		45		13.00	17.30	22.30	28.20	35.10	43.00	52.10	62.50	67.00	
		50		11.50	15.40	19.90	25.20	31.40	38.60	46.90	56.30	60.40	
		55		10.00	13.50	17.50	22.20	27.70	34.10	41.50	50.00	53.70	
		P	20	7.80	8.80	9.80	10.70	11.40	12.00	12.30	12.30	12.10	11.90
			25	8.00	9.20	10.30	11.40	12.30	13.00	13.50	13.80	13.90	13.80
			30	8.10	9.50	10.80	12.00	13.00	14.00	14.70	15.30	15.60	15.70
			35	8.20	9.70	11.10	12.50	13.70	14.90	15.90	16.70	17.20	17.40
			40		9.80	11.40	12.90	14.40	15.70	16.90	17.90	18.80	19.00
			45		9.90	11.60	13.30	14.90	16.40	17.90	19.10	20.20	20.60
		50		9.90	11.80	13.60	15.40	17.10	18.70	20.20	21.50	22.00	
		55		9.90	11.80	13.80	15.70	17.60	19.50	21.10	22.70	23.30	
4SJH-300E	Q	20	19.60	26.00	33.60	42.50	52.80	64.70	78.10	93.30	110.50	117.50	
		25	17.80	23.90	31.10	39.40	49.10	60.20	72.80	87.00	103.00	110.00	
		30	16.10	21.80	28.60	36.40	45.50	55.80	67.60	80.80	95.60	102.00	
		35	14.30	19.80	26.10	33.40	41.80	51.50	62.30	74.60	88.40	94.40	
		40		17.70	23.60	30.50	38.20	47.10	57.20	68.50	81.20	86.70	
		45		15.70	21.20	27.50	34.70	42.80	52.00	62.40	74.00	79.10	
		50		13.70	18.80	24.60	31.10	38.50	46.90	56.30	66.90	71.50	
		55		11.70	16.40	21.70	27.60	34.30	41.80	50.30	59.90	64.00	
		P	20	8.90	10.20	11.40	12.50	13.40	14.10	14.60	14.80	14.80	14.70
			25	9.10	10.60	12.00	13.30	14.40	15.30	16.00	16.50	16.70	16.70
			30	9.20	10.90	12.50	14.00	15.30	16.50	17.40	18.10	18.60	18.70
			35	9.20	11.10	12.90	14.60	16.10	17.50	18.70	19.70	20.30	20.60
			40		11.20	13.20	15.10	16.90	18.50	19.90	21.10	22.00	22.30
			45		11.20	13.40	15.50	17.50	19.40	21.00	22.40	23.60	24.00
		50		11.10	13.50	15.80	18.10	20.10	22.00	23.70	25.10	25.60	
		55		10.90	13.50	16.10	18.50	20.70	22.90	24.80	26.50	27.10	

Notes:

1. Suction Gas Temperature 20°C
2. Suction Gas Temperature 20°C + Fan
3. Liquid subcooling OK

Performance Data

Q=Capacity (kW) P=Power input (kW)

50 Hz

Model	Condensing Temperature °C	Evaporating Temperature °C												
		-25	-20	-15	-10	-5	0	5	7	10	12.5	15		
4SAH-200E	Q	10	19.30	24.50	30.80	38.40	47.30	57.70						
		15	18.30	23.30	29.40	36.70	45.20	55.20	66.90					
		20	17.20	22.10	27.90	34.90	43.10	52.70	63.80	68.80	76.70			
		25	16.20	20.80	26.30	33.00	40.90	50.10	60.70	65.40	73.00	79.80	87.10	
		30	15.10	19.50	24.70	31.10	38.50	47.30	57.50	61.90	69.20	75.70	82.70	
		35	13.30	18.10	23.10	29.10	36.20	44.50	54.10	58.40	65.20	71.40	78.00	
		40	12.10	16.10	21.40	27.10	33.70	41.50	50.60	54.70	61.20	67.00	73.30	
		45	10.90	14.60	19.80	25.00	31.20	38.60	47.10	50.90	57.00	62.50	68.40	
		50	9.70	13.20	17.30	22.90	28.70	35.50	43.50	47.10	52.80	58.00	63.50	
		55		11.70	15.60	20.80	26.20	32.50	39.90	43.20	48.50	53.30	58.40	
		60			13.80	18.10	23.60	29.40	36.20	39.20	44.10	48.60	53.30	
		65				15.90	21.00	26.30	32.50	35.30	39.70	43.80	48.20	
	4SAH-200E	P	10	5.10	5.40	5.60	5.60	5.50	5.10					
		15	5.50	5.90	6.30	6.50	6.50	6.30	5.90					
		20	5.90	6.40	6.90	7.20	7.40	7.50	7.20	7.10	6.70			
		25	6.20	6.90	7.50	8.00	8.30	8.50	8.50	8.40	8.30	8.00	7.70	
		30	6.50	7.30	8.00	8.60	9.20	9.50	9.70	9.70	9.70	9.60	9.40	
		35	6.70	7.60	8.50	9.20	9.90	10.50	10.90	11.00	11.10	11.10	11.00	
		40	7.00	7.90	8.90	9.80	10.70	11.40	12.00	12.10	12.40	12.50	12.50	
		45	7.10	8.20	9.20	10.30	11.30	12.20	12.90	13.20	13.50	13.80	14.00	
		50	7.20	8.40	9.50	10.70	11.80	12.90	13.80	14.20	14.70	15.00	15.30	
		55		8.50	9.80	11.10	12.30	13.50	14.70	15.10	15.70	16.10	16.50	
		60			10.00	11.40	12.80	14.10	15.40	15.90	16.60	17.20	17.70	
		65				11.60	13.10	14.60	16.10	16.60	17.50	18.10	18.70	
4SHH-250E		Q	10	22.60	29.10	36.90	46.40	57.50	70.70					
		15	21.60	27.90	35.50	44.60	55.40	68.00	82.80					
		20	20.50	26.50	33.90	42.60	53.00	65.10	79.30	85.60	95.60			
		25	19.30	25.10	32.10	40.50	50.40	62.10	75.60	81.60	91.20	99.90	109.00	
		30	18.10	23.60	30.30	38.30	47.70	58.80	71.70	77.40	86.60	94.80	103.50	
		35	15.90	22.10	28.40	36.00	44.90	55.40	67.60	73.00	81.70	89.50	97.90	
		40	14.50	19.60	26.40	33.50	41.90	51.80	63.30	68.40	76.60	84.00	92.00	
		45	13.10	17.90	24.40	31.10	38.90	48.10	58.90	63.70	71.40	78.30	85.80	
		50	11.80	16.20	21.40	28.50	35.80	44.40	54.40	58.80	66.00	72.50	79.40	
		55		14.50	19.30	26.00	32.70	40.50	49.80	53.90	60.50	66.50	72.90	
		60			17.20	22.60	29.50	36.70	45.10	48.80	54.90	60.40	66.30	
		65				20.00	26.30	32.80	40.40	43.70	49.20	54.20	59.60	
	4SHH-250E	P	10	6.70	7.30	7.70	7.90	7.90	7.50					
		15	7.10	7.80	8.40	8.80	9.00	8.90	8.50					
		20	7.50	8.30	9.00	9.60	10.00	10.20	10.00	9.90	9.50			
		25	7.80	8.70	9.60	10.40	11.00	11.40	11.50	11.40	11.30	11.10	10.70	
		30	8.00	9.10	10.20	11.10	11.90	12.50	12.80	12.90	12.90	12.80	12.70	
		35	8.30	9.50	10.70	11.80	12.70	13.50	14.10	14.30	14.50	14.50	14.50	
		40	8.50	9.80	11.10	12.40	13.50	14.50	15.30	15.60	15.90	16.10	16.30	
		45	8.70	10.10	11.50	12.90	14.20	15.40	16.50	16.90	17.30	17.70	17.90	
		50	8.80	10.40	11.90	13.40	14.90	16.30	17.60	18.00	18.70	19.10	19.50	
		55		10.60	12.30	13.90	15.60	17.20	18.60	19.20	19.90	20.50	21.00	
		60			12.60	14.40	16.20	18.00	19.60	20.20	21.10	21.90	22.50	
		65				14.80	16.80	18.70	20.60	21.30	22.30	23.10	23.90	
4SJH-300E		Q	10	26.90	34.70	44.20	55.50	68.80	84.40					
		15	25.80	33.40	42.50	53.50	66.30	81.30	98.60					
		20	24.50	31.90	40.70	51.20	63.60	77.90	94.40	101.50	113.50			
		25	23.00	30.20	38.70	48.80	60.60	74.30	90.00	97.00	108.00	118.00	129.00	
		30	21.50	28.40	36.60	46.20	57.40	70.40	85.30	91.90	102.50	112.00	122.00	
		35	18.70	26.50	34.30	43.40	54.00	66.30	80.40	86.60	96.60	105.50	115.00	
		40	16.90	23.40	31.90	40.50	50.50	62.00	75.30	81.10	90.40	98.80	107.50	
		45	15.00	21.10	29.40	37.40	46.80	57.60	70.00	75.40	84.10	91.90	100.00	
		50	13.10	18.90	25.60	34.30	43.00	53.00	64.50	69.50	77.50	84.70	92.40	
		55		16.60	22.80	31.10	39.10	48.30	58.80	63.40	70.80	77.40	84.40	
		60			20.00	26.70	35.10	43.50	53.00	57.20	63.90	69.90	76.30	
		65				23.30	31.00	38.60	47.20	50.90	56.90	62.30	68.00	
	4SJH-300E	P	10	7.90	8.60	9.00	9.10	8.90	8.30					
		15	8.50	9.40	10.10	10.50	10.60	10.30	9.60					
		20	9.00	10.10	11.00	11.70	12.10	12.10	11.80	11.60	11.10			
		25	9.30	10.70	11.80	12.80	13.40	13.80	13.80	13.70	13.40	13.10	12.60	
		30	9.60	11.20	12.50	13.70	14.70	15.30	15.70	15.70	15.60	15.50	15.20	
		35		11.50	13.10	14.60	15.80	16.70	17.40	17.50	17.70	17.70	17.60	
		40			13.60	15.30	16.80	18.00	18.90	19.20	19.60	19.80	19.90	
		45			14.00	15.90	17.60	19.10	20.40	20.80	21.30	21.70	21.90	
		50				16.40	18.40	20.10	21.60	22.20	22.90	23.40	23.90	
		55				16.70	19.00	21.00	22.80	23.50	24.40	25.00	25.60	
		60					19.50	21.70	23.80	24.60	25.70	26.50	27.30	
		65					19.80	22.30	24.70	25.60	26.90	27.90	28.80	

Notes:

- Suction Gas Temperature 20°C
- Liquid subcooling 0K
- Suction Superheat 20K
- Suction Superheat 20K + Fan

Performance Data

Q=Capacity (kW) P=Power input (kW)

60 Hz

Model	Condensing Temperature °C	Evaporating Temperature °C									
		-45	-40	-35	-30	-25	-20	-15	-10	-5	
4SLW-1500	Q	10	9.80	13.40	17.80	23.20	29.70	37.40	46.30	56.70	68.60
		15	9.20	12.60	17.00	22.20	28.50	35.90	44.70	54.70	66.30
		20	8.40	11.80	16.00	21.00	27.10	34.40	42.80	52.60	63.80
		25	7.70	10.90	14.90	19.70	25.70	32.60	40.80	50.30	61.10
		30	6.90	10.00	13.70	18.40	24.00	30.80	38.60	47.70	58.20
		35	6.10	9.00	12.50	16.90	22.20	28.60	36.30	45.10	55.20
		40	5.30	8.00	11.40	15.40	20.40	26.50	33.90	42.30	51.90
		45	4.50	7.00	10.20	14.10	18.60	24.30	31.10	39.30	48.50
		50		6.00	8.90	12.60	16.60	22.00	28.40	36.30	45.00
	55		5.00	7.60	11.00	15.10	19.60	25.60	32.80	41.40	
	P	10	5.80	6.60	7.30	8.00	8.60	9.00	9.30	9.40	9.30
		15	6.10	7.00	7.80	8.60	9.40	10.00	10.50	10.90	11.00
		20	6.20	7.30	8.30	9.20	10.20	11.00	11.70	12.30	12.70
		25	6.40	7.50	8.60	9.80	10.90	11.90	12.80	13.60	14.20
		30	6.40	7.70	8.90	10.20	11.50	12.70	13.80	14.80	15.70
		35	6.40	7.80	9.20	10.60	12.10	13.40	14.80	16.00	17.10
		40	6.40	7.90	9.40	11.00	12.50	14.10	15.60	17.10	18.40
		45	6.30	7.90	9.50	11.20	13.00	14.70	16.40	18.10	19.70
50			7.80	9.60	11.40	13.30	15.30	17.20	19.10	20.90	
55		7.70	9.60	11.60	13.60	15.70	17.80	19.90	22.00		
4STW-2000	Q	10	11.00	15.30	20.70	27.30	35.30	44.70	55.60	68.20	82.50
		15	10.20	14.30	19.50	25.80	33.50	42.50	53.10	65.20	79.00
		20	9.30	13.30	18.20	24.30	31.60	40.30	50.50	62.20	75.60
		25	8.50	12.30	16.90	22.70	29.80	38.10	47.90	59.10	72.00
		30	7.70	11.30	15.60	21.10	27.70	35.90	45.20	56.00	68.40
		35	7.00	10.30	14.40	19.50	25.80	33.30	42.40	52.80	64.60
		40	6.20	9.20	13.20	17.80	23.70	30.90	39.60	49.50	60.80
		45	5.40	8.20	11.90	16.40	21.60	28.40	36.40	46.10	57.00
		50		7.20	10.50	14.80	19.60	25.90	33.40	42.70	53.00
	55		6.10	9.10	13.00	17.90	23.30	30.40	38.80	48.90	
	P	10	6.10	7.10	8.20	9.20	10.20	11.10	12.00	12.70	13.30
		15	6.40	7.50	8.60	9.80	10.90	12.00	13.00	13.90	14.70
		20	6.60	7.80	9.10	10.40	11.60	12.90	14.00	15.20	16.10
		25	6.80	8.10	9.50	10.90	12.30	13.70	15.10	16.40	17.50
		30	7.00	8.40	9.90	11.40	13.00	14.50	16.10	17.50	18.90
		35	7.20	8.70	10.30	12.00	13.60	15.40	17.00	18.70	20.30
		40	7.30	8.90	10.70	12.40	14.30	16.10	18.00	19.80	21.60
		45	7.40	9.10	11.00	12.90	14.90	16.90	18.90	20.90	22.90
50			9.30	11.30	13.40	15.50	17.60	19.90	22.00	24.20	
55		9.50	11.60	13.80	16.00	18.40	20.70	23.10	25.50		

Notes:

- Suction Gas Temperature 20°C
- Liquid subcooling 0K
- Suction SH 20K
- Suction SH 20K + Fan
- Suction Gas Temperature 20°C + Fan + Liq. Inj.

Performance Data

Q=Capacity (kW) P=Power input (kW)

60 Hz

Model	Condensing Temperature °C	Evaporating Temperature °C													
		-25	-20	-15	-10	-5	0	5	7	10	12.5				
4SAH-2000	Q	10	25.20	31.70	39.50	48.50	59.10	71.30							
		15	23.90	30.10	37.50	46.20	56.30	68.10							
		20	22.50	28.50	35.60	43.90	53.60	64.80	77.70	83.30					
		25	21.10	26.80	33.60	41.50	50.80	61.50	73.80	79.30	87.90	95.70			
		30	19.80	25.20	31.60	39.20	48.00	58.20	70.00	75.10	83.40	90.80			
		35	17.90	23.60	29.70	36.90	45.20	54.90	66.10	71.00	78.90	85.90			
		40	16.40	21.40	27.70	34.50	42.40	51.60	62.20	66.80	74.30	81.00			
		45	15.00	19.70	25.80	32.20	39.60	48.30	58.30	62.70	69.70	76.10			
		50	13.20	17.70	23.30	29.90	36.90	45.00	54.40	58.50	65.20	71.10			
		55			20.90	27.10	34.10	41.70	50.50	54.40	60.60	66.20			
		60				24.20	31.40	38.50	46.60	50.30	56.10	61.30			
		62				23.20	30.30	37.20	45.10	48.60	54.30	59.30			
	4SAH-2000	P	10	7.10	7.40	7.50	7.40	7.10	6.40						
			15	7.70	8.10	8.40	8.50	8.30	7.90						
		20	8.20	8.70	9.20	9.50	9.60	9.40	8.90	8.60					
		25	8.60	9.30	9.90	10.40	10.70	10.80	10.50	10.40	10.00	9.50			
		30	9.00	9.90	10.70	11.30	11.80	12.10	12.10	12.00	11.80	11.50			
		35	9.40	10.40	11.30	12.10	12.80	13.30	13.50	13.60	13.50	13.40			
		40	9.70	10.80	11.90	12.90	13.70	14.40	14.90	15.00	15.20	15.20			
		45	10.00	11.20	12.40	13.50	14.60	15.50	16.20	16.40	16.70	16.90			
		50	10.30	11.60	12.90	14.20	15.40	16.50	17.50	17.80	18.20	18.50			
		55			13.40	14.80	16.20	17.50	18.60	19.10	19.60	20.00			
		60				15.40	16.90	18.40	19.80	20.20	21.00	21.50			
		62				15.60	17.20	18.70	20.20	20.70	21.50	22.10			
4SHH-2500		Q	10	31.80	39.70	49.10	60.10	73.00	87.90						
			15	29.90	37.60	46.70	57.40	69.90	84.40						
		20	28.10	35.50	44.40	54.80	66.80	80.80	96.90	104.00					
		25	26.30	33.50	42.10	52.10	63.70	77.10	92.60	99.40	110.50	120.00			
		30	24.50	31.50	39.70	49.40	60.50	73.40	88.30	94.80	105.00	114.50			
		35	22.10	29.60	37.40	46.60	57.30	69.70	83.80	90.00	100.00	109.00			
		40	20.30	27.00	35.20	43.90	54.10	65.80	79.30	85.20	94.70	103.00			
		45	18.60	25.00	32.90	41.20	50.90	62.00	74.70	80.40	89.40	97.40			
		50	16.50	22.60	30.00	38.50	47.60	58.10	70.10	75.40	83.90	91.50			
		55			27.20	35.30	44.40	54.20	65.40	70.40	78.30	85.50			
		60				31.90	41.10	50.20	60.70	65.30	72.70	79.40			
		62				30.80	39.80	48.60	58.80	63.30	70.40	76.90			
	4SHH-2500	P	10	9.60	10.10	10.30	10.20	9.70	9.00						
			15	10.00	10.70	11.10	11.30	11.10	10.70						
		20	10.40	11.20	11.90	12.30	12.50	12.40	11.90	11.60					
		25	10.80	11.80	12.70	13.40	13.80	14.00	13.90	13.70	13.40	13.00			
		30	11.20	12.40	13.50	14.40	15.10	15.60	15.70	15.70	15.60	15.40			
		35	11.60	13.00	14.20	15.40	16.30	17.10	17.50	17.60	17.60	17.70			
		40	12.00	13.50	15.00	16.30	17.50	18.50	19.20	19.50	19.70	19.90			
		45	12.30	14.00	15.60	17.20	18.60	19.80	20.90	21.20	21.70	21.90			
		50	12.70	14.50	16.30	18.00	19.60	21.10	22.40	22.90	23.50	23.90			
		55			16.90	18.80	20.60	22.30	23.80	24.40	25.20	25.80			
		60				19.40	21.40	23.40	25.20	25.90	26.80	27.60			
		62				19.70	21.80	23.80	25.70	26.40	27.40	28.20			
4SJH-3000		Q	10	37.40	46.90	58.20	71.40	86.90	105.00						
			15	35.00	44.30	55.30	68.10	83.20	100.50						
		20	32.70	41.70	52.30	64.80	79.30	96.10	115.50	124.00					
		25	30.40	39.10	49.40	61.40	75.50	91.60	110.00	118.50	131.50	143.50			
		30	28.20	36.60	46.50	58.10	71.50	87.10	105.00	112.50	125.50	136.50			
		35	24.90	34.10	43.60	54.70	67.60	82.40	99.50	107.00	119.00	130.00			
		40	22.60	30.70	40.70	51.30	63.60	77.70	94.00	101.00	112.50	123.00			
		45	20.40	28.10	37.90	47.90	59.50	72.90	88.30	95.10	106.00	115.50			
		50	17.60	25.00	34.10	44.50	55.50	68.10	82.70	89.00	99.30	108.50			
		55			30.40	40.40	51.40	63.30	76.90	82.90	92.50	101.00			
		60				36.00	47.40	58.40	71.10	76.60	85.60	93.60			
		62				34.60	45.70	56.40	68.70	74.10	82.80	90.60			
	4SJH-3000	P	10	11.10	11.70	12.00	12.00	11.70	11.00						
			15	11.50	12.40	13.00	13.40	13.40	13.10						
		20	12.00	13.10	14.00	14.70	15.00	15.10	14.70	14.40					
		25	12.50	13.80	15.00	15.90	16.60	17.00	17.00	16.90	16.60	16.30			
		30	12.90	14.50	15.90	17.10	18.10	18.80	19.20	19.30	19.20	19.10			
		35	13.40	15.10	16.80	18.30	19.60	20.60	21.30	21.50	21.70	21.80			
		40	13.80	15.70	17.60	19.30	20.90	22.20	23.30	23.70	24.10	24.30			
		45	14.10	16.30	18.40	20.30	22.20	23.80	25.20	25.70	26.30	26.80			
		50	14.50	16.80	19.10	21.20	23.30	25.30	27.00	27.60	28.40	29.10			
		55			19.70	22.10	24.40	26.60	28.60	29.40	30.40	31.20			
		60				22.80	25.40	27.80	30.10	31.00	32.20	33.20			
		62				23.10	25.70	28.30	30.70	31.60	32.90	33.90			

Notes:

- Suction Gas Temperature 20°C
- Liquid subcooling 0K
- Suction Superheat 20K
- Suction Superheat 10K + Fan

Performance Data

Q=Capacity (kW) P=Power input (kW)

60 Hz

Model	Condensing Temperature °C	Evaporating Temperature °C									
		-45	-40	-35	-30	-25	-20	-15	-10	-5	
4SLW-150E	Q	10	13.40	17.80	23.30	29.90	38.00				
		15	12.10	16.40	21.70	28.00	35.70	44.70			
		20	10.90	15.10	20.10	26.20	33.40	42.00	52.00		
		25	9.10	13.80	18.60	24.30	31.10	39.20	48.60	59.50	
		30	7.90	12.50	17.10	22.40	28.90	36.40	45.20	55.50	67.30
		35	6.80	10.40	15.60	20.60	26.60	33.60	41.80	51.30	62.30
		40	5.70	9.10	14.10	18.80	24.30	30.80	38.30	47.20	57.40
		45	4.70	7.90	11.50	17.00	22.00	27.90	34.80	42.90	52.30
		50		6.70	9.90	15.10	19.70	25.00	31.30	38.70	47.20
	55		5.50	8.40	11.70	17.40	22.10	27.70	32.60	41.00	
	P	10	6.40	7.50	8.50	9.40	10.30				
		15	6.70	7.90	9.00	10.10	11.20	12.10			
		20	6.90	8.20	9.50	10.70	11.90	13.00	14.00		
		25	7.00	8.40	9.80	11.20	12.60	13.90	15.10	16.20	
		30	7.00	8.50	10.10	11.70	13.20	14.70	16.10	17.30	18.50
35		6.90	8.50	10.30	12.00	13.70	15.40	17.00	18.50	19.80	
40		6.70	8.50	10.40	12.30	14.10	16.00	17.80	19.50	21.10	
45		6.40	8.30	10.40	12.40	14.50	16.50	18.50	20.40	22.30	
55			7.70	10.10	12.50	14.90	17.40	19.80	22.20	24.50	
4STW-200E	Q	10	15.90	21.30	28.00	36.10	45.70				
		15	14.70	19.80	26.20	33.90	43.10	53.80			
		20	13.40	18.40	24.40	31.70	40.40	50.60	62.30		
		25	11.40	16.90	22.60	29.50	37.70	47.20	58.30	71.10	
		30	10.10	15.40	20.70	27.20	34.90	43.80	54.30	66.20	79.90
		35	8.80	12.90	18.90	24.90	32.00	40.40	50.10	61.30	74.10
		40	7.60	11.30	17.10	22.60	29.20	36.90	45.90	56.30	68.20
		45	6.40	9.80	13.90	20.30	26.30	33.40	41.70	51.20	62.20
		50		8.30	12.00	18.00	23.40	29.90	37.40	46.10	56.20
	55		7.00	10.10	13.90	20.50	26.30	33.10	38.90	48.80	
	P	10	8.00	9.30	10.60	11.70	12.80				
		15	8.10	9.50	10.90	12.30	13.60	14.80			
		20	8.20	9.70	11.30	12.80	14.30	15.70	17.00		
		25	8.20	9.90	11.60	13.30	15.00	16.60	18.20	19.70	
		30	8.20	10.00	11.90	13.70	15.60	17.40	19.20	21.00	22.60
35		8.20	10.10	12.10	14.10	16.20	18.20	20.20	22.20	24.10	
40		8.00	10.10	12.20	14.40	16.60	18.90	21.10	23.40	25.60	
45		7.80	10.00	12.30	14.60	17.00	19.50	21.90	24.40	26.90	
55			9.80	12.20	14.70	17.30	20.00	22.70	25.40	28.10	

Notes:

1. Suction Gas Temperature 20°C
2. Suction Gas Temperature 0°C
3. Suction Gas Temperature 0°C + Fan
4. Suction SH 20K
5. Liquid subcooling 0K

Performance Data

Q=Capacity (kW) P=Power input (kW)

60 Hz

Model	Condensing Temperature °C	Evaporating Temperature °C										
		-35	-30	-25	-20	-15	-10	-5	0	5	7	
4SAH-200E	Q	20	14.90	19.70	25.40	32.20	40.20	49.50	60.10	72.20	85.80	91.80
		25	13.60	18.00	23.40	29.80	37.40	46.10	56.10	67.50	80.30	85.90
		30	12.20	16.40	21.50	27.50	34.50	42.70	52.00	62.70	74.80	80.10
		35	10.90	14.80	19.60	25.10	31.70	39.30	48.00	58.00	69.30	74.20
		40		13.30	17.60	22.80	28.80	35.80	43.90	53.20	63.70	68.20
		45		11.80	15.80	20.50	26.00	32.40	39.90	48.40	58.10	62.30
		50		10.30	13.90	18.20	23.20	29.00	35.80	43.60	52.50	56.40
	55		8.80	12.10	16.00	20.40	25.70	31.80	38.80	46.90	50.40	
	P	20	7.20	8.30	9.20	10.00	10.70	11.20	11.40	11.40	11.10	10.80
		25	7.40	8.60	9.60	10.60	11.50	12.10	12.60	12.80	12.80	12.60
		30	7.50	8.80	10.00	11.20	12.20	13.00	13.70	14.20	14.40	14.40
		35	7.60	8.90	10.30	11.60	12.80	13.80	14.70	15.40	15.90	16.00
		40		9.00	10.50	12.00	13.30	14.60	15.70	16.60	17.30	17.50
		45		9.10	10.70	12.30	13.80	15.20	16.50	17.70	18.60	18.90
50			9.00	10.80	12.50	14.10	15.80	17.30	18.70	19.90	20.30	
55		8.90	10.70	12.60	14.40	16.20	18.00	19.60	21.00	21.50		
4SHH-250E	Q	20	18.80	24.60	31.70	40.30	50.30	62.00	75.50	90.90	108.50	116.00
		25	17.20	22.70	29.50	37.50	47.00	58.10	70.80	85.30	101.50	109.00
		30	15.60	20.80	27.20	34.80	43.70	54.00	65.90	79.50	94.90	101.50
		35	14.00	19.00	24.90	32.00	40.30	49.90	60.90	73.60	88.00	94.20
		40		17.20	22.70	29.20	36.80	45.70	55.90	67.60	80.90	86.70
		45		15.40	20.40	26.30	33.30	41.40	50.80	61.50	73.70	79.10
		50		13.60	18.20	23.50	29.80	37.10	45.50	55.30	66.40	71.30
	55		11.80	15.90	20.60	26.20	32.70	40.30	49.00	59.00	63.40	
	P	20	9.30	10.60	11.80	12.90	13.70	14.30	14.70	14.80	14.50	14.30
		25	9.60	11.00	12.40	13.60	14.70	15.60	16.20	16.60	16.70	16.60
		30	9.80	11.40	12.90	14.30	15.60	16.80	17.70	18.40	18.70	18.80
		35	9.90	11.60	13.30	15.00	16.50	17.90	19.00	20.00	20.70	20.90
		40		11.80	13.70	15.50	17.20	18.90	20.30	21.50	22.50	22.80
		45		11.90	14.00	16.00	17.90	19.70	21.40	22.90	24.20	24.70
50			11.90	14.10	16.30	18.40	20.50	22.40	24.20	25.80	26.40	
55		11.90	14.20	16.50	18.90	21.10	23.30	25.40	27.30	28.00		
4SJH-300E	Q	20	23.10	30.70	39.60	50.10	62.30	76.30	92.20	110.00	130.00	138.50
		25	21.00	28.20	36.70	46.50	58.00	71.10	85.90	102.50	121.50	129.50
		30	19.00	25.70	33.70	43.00	53.70	65.90	79.70	95.40	113.00	120.50
		35	16.90	23.30	30.80	39.40	49.40	60.70	73.60	88.10	104.50	111.50
		40		20.90	27.90	35.90	45.10	55.60	67.50	80.80	95.80	102.50
		45		18.50	25.00	32.40	40.90	50.50	61.40	73.60	87.40	93.30
		50		16.10	22.20	29.00	36.70	45.50	55.40	66.50	79.00	84.40
	55		13.80	19.40	25.60	32.60	40.50	49.40	59.40	70.70	75.50	
	P	20	10.80	12.30	13.70	15.00	16.00	16.90	17.50	17.80	17.70	17.60
		25	10.90	12.70	14.40	15.90	17.20	18.40	19.20	19.80	20.00	20.00
		30	11.00	13.00	15.00	16.70	18.30	19.70	20.90	21.70	22.30	22.40
		35	11.00	13.30	15.40	17.50	19.30	21.00	22.40	23.60	24.40	24.70
		40		13.40	15.80	18.10	20.20	22.20	23.90	25.30	26.40	26.80
		45		13.40	16.10	18.60	21.00	23.20	25.20	26.90	28.40	28.80
50			13.30	16.20	19.00	21.60	24.10	26.40	28.40	30.10	30.70	
55		13.10	16.20	19.30	22.10	24.90	27.40	29.70	31.80	32.50		

Notes:

1. Suction Gas Temperature 20°C
2. Suction Gas Temperature 20°C + Fan
3. Liquid subcooling 0K

Performance Data

Q=Capacity (kW) P=Power input (kW)

50 Hz

Model	Condensing Temperature °C	Evaporating Temperature °C										
		-45	-40	-35	-30	-25	-20	-15	-10	-5		
6SLW-2500	Q	10	11.40	16.40	22.30	29.40	37.60	47.00	57.50	69.30	82.40	
		15	10.60	15.30	21.10	27.80	35.80	44.90	55.10	66.60	79.40	
		20	9.70	14.20	19.60	26.20	33.80	42.60	52.60	63.80	76.20	
		25	8.80	13.00	18.10	24.40	31.80	40.30	50.00	60.80	72.90	
		30	7.90	11.80	16.60	22.50	29.50	37.90	47.20	57.70	69.50	
		35	7.00	10.60	15.10	20.60	27.30	35.10	44.40	54.50	65.90	
		40	6.10	9.40	13.70	18.70	25.00	32.50	41.40	51.20	62.20	
		45	5.30	8.20	12.20	17.10	22.70	29.80	38.10	47.90	58.50	
		50		7.00	10.60	15.20	20.50	27.10	35.00	44.40	54.60	
		55		5.90	9.10	13.40	18.60	24.40	31.90	40.60	50.70	
		P	10	7.00	7.90	8.90	9.90	10.90	11.70	12.30	12.70	12.60
			15	7.20	8.30	9.50	10.70	11.80	12.80	13.70	14.20	14.50
			20	7.50	8.70	10.10	11.40	12.70	13.90	15.00	15.80	16.30
			25	7.70	9.10	10.60	12.10	13.60	15.00	16.30	17.30	18.00
			30	7.90	9.40	11.00	12.70	14.40	16.00	17.50	18.70	19.70
			35	8.00	9.70	11.50	13.30	15.20	17.00	18.70	20.10	21.30
			40	8.10	9.90	11.80	13.80	15.90	17.90	19.80	21.40	22.90
		45	8.20	10.10	12.10	14.30	16.50	18.70	20.70	22.70	24.40	
		50		10.10	12.30	14.60	17.00	19.40	21.70	23.80	25.70	
		55		10.10	12.40	14.90	17.40	20.00	22.50	24.80	27.00	
6STW-3200	Q	10	15.00	20.40	27.00	35.10	44.60	55.80	68.80	83.60	100.50	
		15	13.70	18.80	25.20	32.90	42.10	52.80	65.40	79.80	96.20	
		20	12.30	17.20	23.30	30.70	39.50	49.90	61.90	75.80	91.70	
		25	11.00	15.70	21.30	28.40	36.90	46.90	58.50	71.90	87.20	
		30	9.70	14.10	19.50	26.10	34.20	43.90	55.10	67.90	82.70	
		35	8.40	12.60	17.80	23.90	31.60	40.70	51.60	64.00	78.10	
		40	7.20	11.20	16.10	21.80	29.00	37.60	48.20	60.00	73.60	
		45	6.10	9.80	14.40	20.00	26.40	34.60	44.30	56.00	69.00	
		50		8.40	12.70	18.00	24.10	31.60	40.80	52.10	64.50	
		55		7.20	11.10	16.00	22.00	28.80	37.40	47.70	60.00	
		P	10	9.20	10.30	11.50	12.50	13.60	14.70	15.80	16.90	18.10
			15	9.20	10.60	11.90	13.20	14.50	15.80	17.20	18.60	20.00
			20	9.20	10.70	12.20	13.70	15.30	16.90	18.50	20.10	21.80
			25	9.10	10.80	12.50	14.30	16.00	17.80	19.70	21.60	23.60
			30	9.10	11.00	12.80	14.80	16.70	18.80	20.90	23.00	25.30
			35	9.00	11.10	13.10	15.20	17.40	19.70	22.00	24.40	26.90
			40	9.00	11.20	13.40	15.70	18.10	20.50	23.10	25.80	28.50
		45	9.00	11.30	13.70	16.20	18.80	21.40	24.20	27.10	30.10	
		50		11.50	14.10	16.70	19.50	22.30	25.30	28.40	31.70	
		55		11.80	14.50	17.30	20.20	23.20	26.40	29.80	33.30	
6SUW-4000	Q	10	17.70	24.20	32.40	42.30	54.30	68.50	85.00	104.00	126.00	
		15	16.50	22.90	30.90	40.60	52.20	66.00	82.00	100.50	122.00	
		20	15.30	21.50	29.10	38.60	49.90	63.20	78.80	96.70	117.50	
		25	13.90	19.90	27.20	36.30	47.30	60.10	75.20	92.50	112.50	
		30	12.50	18.30	25.20	33.80	44.20	56.80	71.30	88.00	107.00	
		35	11.10	16.60	23.00	31.20	41.10	52.90	67.10	83.10	101.50	
		40	9.70	14.80	21.20	28.50	37.80	49.00	62.70	77.90	95.50	
		45	8.30	13.00	19.00	26.20	34.40	45.00	57.50	72.50	89.30	
		50		11.20	16.70	23.40	30.90	40.70	52.50	66.80	82.70	
		55		9.40	14.40	20.50	28.00	36.40	47.30	60.30	75.90	
		P	10	10.20	12.00	13.60	15.00	16.30	17.20	17.90	18.30	18.20
			15	10.50	12.40	14.20	15.90	17.40	18.70	19.70	20.40	20.80
			20	10.80	12.80	14.80	16.70	18.50	20.00	21.40	22.50	23.30
			25	11.00	13.20	15.40	17.50	19.50	21.40	23.10	24.60	25.80
			30	11.30	13.60	16.00	18.30	20.50	22.70	24.70	26.60	28.20
			35	11.50	13.90	16.50	19.00	21.50	23.90	26.30	28.50	30.50
			40	11.60	14.20	16.90	19.70	22.40	25.10	27.80	30.30	32.70
		45	11.70	14.40	17.30	20.20	23.20	26.20	29.20	32.10	34.90	
		50		14.60	17.60	20.70	23.90	27.20	30.50	33.70	36.90	
		55		14.60	17.80	21.10	24.60	28.10	31.70	35.30	38.80	

Notes:

- Suction Gas Temperature 20°C
- Liquid subcooling 0K
- Limited SH 20K

- Suction SH 20K + Fan
- Suction Gas Temperature 20°C + Fan + Liq. Inj.

Performance Data

Q=Capacity (kW) P=Power input (kW)

50 Hz

Model	Condensing Temperature °C	Evaporating Temperature °C													
		-25	-20	-15	-10	-5	0	5	7	10	12.5				
6SHH-3500	10	40.20	49.90	61.50	75.10	90.90	109.00								
	15	38.00	47.40	58.50	71.60	86.80	104.50								
	20	35.70	44.80	55.60	68.10	82.70	99.60	119.00	127.50						
	25	33.50	42.30	52.60	64.60	78.60	94.80	113.50	121.50	134.50	146.50				
	30	31.30	39.70	49.60	61.10	74.50	89.90	107.50	115.50	128.00	139.00				
	35	28.30	37.20	46.60	57.60	70.30	85.00	102.00	109.50	121.50	132.00				
	40	25.90	33.80	43.60	54.10	66.10	80.10	96.10	103.00	114.50	124.50				
	45	23.60	31.10	40.70	50.50	62.00	75.20	90.30	97.00	107.50	117.50				
	50	20.80	27.90	36.80	47.10	57.80	70.30	84.50	90.80	101.00	110.00				
	55			33.00	42.80	53.70	65.30	78.70	84.60	94.10	102.50				
	60				38.30	49.60	60.40	72.90	78.40	87.20	95.10				
	62				36.80	47.90	58.50	70.60	75.90	84.50	92.20				
	6SHH-3500	10	12.40	12.90	13.20	13.10	12.80	12.00							
		15	13.00	13.70	14.30	14.50	14.50	14.10							
20		13.60	14.60	15.40	15.90	16.20	16.10	15.70	15.40						
25		14.20	15.40	16.40	17.30	17.80	18.10	18.00	17.90	17.60	17.20				
30		14.80	16.20	17.40	18.50	19.40	20.00	20.30	20.40	20.30	20.10				
35		15.30	16.90	18.40	19.80	21.00	21.90	22.60	22.70	22.90	22.90				
40		15.80	17.60	19.40	21.00	22.40	23.70	24.70	25.10	25.40	25.70				
45		16.30	18.30	20.20	22.10	23.80	25.40	26.80	27.30	27.90	28.30				
50		16.80	18.90	21.00	23.20	25.20	27.10	28.80	29.40	30.20	30.90				
55				21.80	24.10	26.40	28.60	30.60	31.40	32.50	33.30				
60					25.00	27.60	30.00	32.40	33.30	34.60	35.60				
62					25.40	28.00	30.60	33.10	34.00	35.40	36.50				
6SJH-4000		10	47.00	59.00	73.10	89.70	109.00	131.50							
		15	44.10	55.60	69.30	85.30	104.00	125.50							
	20	41.10	52.30	65.50	80.90	98.90	119.50	143.50	154.00						
	25	38.20	49.00	61.70	76.50	93.70	113.50	136.50	146.50	162.50	177.00				
	30	35.30	45.70	57.80	72.10	88.60	107.50	129.50	139.00	154.50	168.50				
	35	31.00	42.40	54.00	67.60	83.40	101.50	122.50	132.00	146.50	160.00				
	40	27.90	37.80	50.20	63.20	78.30	95.60	115.50	124.50	138.50	151.00				
	45	24.80	34.30	46.50	58.80	73.10	89.60	108.50	117.00	130.00	142.00				
	50	20.90	30.00	41.40	54.40	67.90	83.50	101.50	109.50	122.00	133.50				
	55			36.40	49.00	62.80	77.50	94.40	102.00	114.00	124.50				
	60				43.30	57.70	71.50	87.40	94.40	105.50	115.50				
	62				41.50	55.70	69.10	84.60	91.40	102.50	112.00				
	6SJH-4000	10	14.00	14.70	15.20	15.20	14.90	14.00							
		15	14.70	15.70	16.50	16.90	16.90	16.50							
20		15.40	16.70	17.80	18.60	19.00	19.00	18.50	18.20						
25		16.10	17.70	19.00	20.10	20.90	21.30	21.30	21.20	20.80	20.40				
30		16.70	18.60	20.20	21.70	22.80	23.70	24.10	24.10	24.10	23.90				
35		17.30	19.40	21.40	23.10	24.70	25.90	26.80	27.00	27.20	27.20				
40		17.80	20.20	22.40	24.50	26.40	28.00	29.30	29.70	30.20	30.50				
45		18.30	20.90	23.40	25.80	28.00	30.10	31.80	32.40	33.10	33.70				
50		18.70	21.50	24.30	27.00	29.60	32.00	34.10	34.90	35.90	36.70				
55				25.10	28.10	31.00	33.80	36.30	37.30	38.60	39.60				
60					29.10	32.30	35.40	38.40	39.50	41.10	42.30				
62					29.40	32.80	36.10	39.20	40.30	42.00	43.40				
6SKH-5000		10	51.80	65.70	82.40	102.50	126.00	153.00							
		15	49.60	63.10	79.30	98.60	121.50	147.50							
	20	47.20	60.20	75.90	94.60	116.50	142.00	171.00	184.00						
	25	44.70	57.30	72.30	90.20	111.00	135.50	163.50	176.00	195.50	213.00				
	30	42.10	54.20	68.60	85.70	105.50	129.00	155.50	167.50	186.50	203.00				
	35	37.90	51.00	64.70	81.00	100.00	122.00	147.50	158.50	176.50	192.50				
	40	35.10	46.40	60.80	76.20	94.10	115.00	139.00	149.50	166.50	181.50				
	45	32.40	43.00	56.90	71.30	88.10	107.50	130.00	140.00	156.00	170.50				
	50	29.00	38.80	51.50	66.40	82.10	100.50	121.50	130.50	145.50	159.00				
	55			46.40	60.30	76.00	92.90	112.50	121.00	134.50	147.00				
	60				54.00	70.00	85.50	103.50	111.00	124.00	135.00				
	62				52.00	67.70	82.50	99.70	107.50	119.50	130.50				
	6SKH-5000	10	15.80	16.80	17.50	17.70	17.40	16.50							
		15	16.70	18.10	19.10	19.80	20.00	19.60							
20		17.50	19.20	20.60	21.70	22.40	22.60	22.10	21.80						
25		18.30	20.30	22.10	23.60	24.70	25.30	25.50	25.40	25.00	24.50				
30		19.10	21.30	23.40	25.30	26.80	27.90	28.60	28.70	28.70	28.50				
35		19.70	22.30	24.70	26.90	28.80	30.40	31.60	31.90	32.20	32.30				
40		20.30	23.10	25.80	28.40	30.70	32.70	34.30	34.90	35.50	35.90				
45		20.90	23.90	26.90	29.80	32.40	34.90	37.00	37.70	38.60	39.30				
50		21.50	24.70	27.90	31.00	34.10	36.90	39.40	40.30	41.60	42.50				
55				28.80	32.20	35.60	38.70	41.70	42.80	44.30	45.50				
60					33.30	36.90	40.50	43.80	45.10	46.90	48.30				
62					33.70	37.50	41.10	44.60	45.90	47.80	49.30				

Notes:

- 1. Suction Gas Temperature 20°C
- 2. Liquid subcooling 0K
- 3. Suction Superheat 20K
- 4. Suction Superheat 10K + Fan

Performance Data

Q=Capacity (kW) P=Power input (kW)

50 Hz

Model	Condensing Temperature °C	Evaporating Temperature °C									
		-45	-40	-35	-30	-25	-20	-15	-10	-5	
6SLW-250E	Q	10	17.50	23.10	30.20	38.70	48.80				
		15	15.90	21.30	28.00	36.10	45.70	56.80			
		20	14.40	19.50	25.90	33.60	42.60	53.10	65.10		
		25	12.10	17.80	23.80	31.00	39.50	49.40	60.70	73.50	
		30	10.60	16.00	21.70	28.50	36.40	45.70	56.20	68.30	81.80
		35	9.10	13.30	19.60	25.90	33.30	41.90	51.80	63.00	75.60
		40	7.70	11.60	17.60	23.40	30.30	38.20	47.30	57.60	69.30
		45	6.30	9.90	14.20	20.90	27.20	34.40	42.80	52.30	63.00
		50		8.30	12.10	18.50	24.10	30.70	38.20	46.90	56.60
	55		6.70	10.10	14.10	21.10	26.90	33.70	39.30	48.90	
	P	10	8.10	9.60	11.00	12.40	13.70				
		15	8.30	9.80	11.50	13.00	14.50	15.90			
		20	8.40	10.10	11.80	13.60	15.30	16.90	18.30		
		25	8.40	10.30	12.20	14.10	16.00	17.80	19.50	20.90	
		30	8.40	10.40	12.40	14.50	16.60	18.60	20.50	22.30	23.80
		35	8.30	10.40	12.60	14.90	17.10	19.40	21.50	23.50	25.30
		40	8.20	10.40	12.70	15.20	17.60	20.00	22.40	24.70	26.70
45		8.10	10.40	12.80	15.40	18.00	20.60	23.20	25.70	28.10	
50			10.30	12.80	15.60	18.40	21.20	24.00	26.70	29.30	
55		10.10	12.80	15.70	18.60	21.60	24.70	27.60	30.50		
6STW-320E	Q	10	19.70	26.80	35.60	46.10	58.30				
		15	17.90	24.80	33.10	43.10	54.80	68.20			
		20	16.30	22.80	30.70	40.10	51.20	64.00	78.60		
		25	13.40	20.80	28.30	37.20	47.70	59.80	73.60	89.30	
		30	11.90	19.00	25.90	34.30	44.10	55.50	68.50	83.40	
		35	10.40	15.40	23.60	31.40	40.50	51.20	63.40	77.30	
		40	9.00	13.60	21.30	28.50	37.00	46.80	58.20	71.20	
		45	7.70	11.80	16.80	25.50	33.30	42.40	53.00	65.00	
		50		10.00	14.40	22.60	29.60	37.90	47.60	58.70	
	55		8.20	12.00	16.70	25.90	33.30	42.10	49.20		
	P	10	9.90	11.70	13.30	14.80	16.20				
		15	10.10	12.00	13.80	15.50	17.10	18.60			
		20	10.20	12.30	14.30	16.20	18.10	19.80	21.30		
		25	10.30	12.50	14.70	16.90	19.00	20.90	22.80	24.50	
		30	10.30	12.70	15.10	17.40	19.80	22.00	24.20	26.20	28.00
		35	10.20	12.70	15.30	17.90	20.50	23.00	25.50	27.80	30.00
		40	9.90	12.70	15.50	18.30	21.10	23.90	26.60	29.30	31.80
45		9.60	12.50	15.50	18.60	21.60	24.70	27.70	30.70	33.50	
50			12.20	15.40	18.70	22.00	25.30	28.60	31.90	35.10	
55		11.70	15.10	18.60	22.10	25.70	29.40	33.00	36.50		
6SUW-4000	Q	10	24.50	32.60	42.60	54.40	68.40				
		15	22.60	30.50	40.10	51.50	64.90	80.50			
		20	20.70	28.30	37.50	48.40	61.10	75.90	93.00		
		25	17.70	26.10	34.80	45.10	57.20	71.20	87.30	106.00	
		30	15.60	23.80	32.10	41.80	53.20	66.30	81.50	98.80	
		35	13.70	20.10	29.30	38.40	49.00	61.30	75.50	91.70	
		40	11.80	17.80	26.60	35.00	44.80	56.20	69.30	84.40	
		45	10.00	15.50	21.80	31.60	40.60	51.00	63.00	76.90	
		50		13.40	19.10	28.20	36.30	45.80	56.70	69.30	
	55		11.40	16.40	22.00	32.10	40.50	50.30	58.40		
	P	10	12.00	14.10	16.10	17.90	19.50				
		15	12.20	14.50	16.70	18.80	20.70	22.30			
		20	12.40	14.90	17.30	19.60	21.80	23.90	25.70		
		25	12.50	15.10	17.80	20.40	22.90	25.30	27.50	29.50	
		30	12.50	15.30	18.20	21.00	23.80	26.60	29.20	31.60	33.80
		35	12.50	15.40	18.50	21.60	24.70	27.80	30.80	33.60	36.30
		40	12.40	15.50	18.70	22.00	25.40	28.80	32.20	35.50	38.60
45		12.30	15.40	18.80	22.40	26.00	29.80	33.50	37.20	40.80	
50			15.30	18.90	22.60	26.50	30.60	34.70	38.80	42.80	
55		15.20	18.80	22.80	26.90	31.30	35.70	40.20	44.70		

Notes:

- 1. Suction Gas Temperature 20°C
- 2. Suction Gas Temperature 0°C
- 3. Suction Gas Temperature 0°C + Fan

- 4. Limited SH 20K
- 5. Liquid subcooling OK

Performance Data

Q=Capacity (kW) P=Power input (kW)

50 Hz

Model	Condensing Temperature °C	Evaporating Temperature °C										
		-35	-30	-25	-20	-15	-10	-5	0	5	7	
6SHH-350E	Q	20	25.20	32.70	41.90	52.80	65.70	80.70	98.00	117.50	140.00	149.50
		25	23.10	30.30	39.00	49.30	61.40	75.50	91.70	110.50	131.50	140.50
		30	21.00	27.80	36.00	45.70	57.00	70.20	85.40	103.00	122.50	131.00
		35	18.90	25.30	33.00	42.00	52.60	64.90	79.00	95.20	113.50	121.50
		40		22.90	30.00	38.40	48.10	59.50	72.50	87.50	104.50	112.00
		45		20.40	27.00	34.70	43.60	54.00	66.00	79.80	95.40	102.50
		50		17.90	23.90	30.90	39.10	48.50	59.40	71.90	86.20	92.50
	55		15.40	20.90	27.20	34.50	42.90	52.70	64.00	76.90	82.60	
	P	20	11.80	13.40	14.80	16.10	17.30	18.20	18.70	19.00	18.80	18.60
		25	12.10	13.80	15.50	17.10	18.50	19.70	20.60	21.20	21.40	21.40
		30	12.30	14.20	16.10	17.90	19.60	21.10	22.30	23.30	24.00	24.10
		35	12.30	14.40	16.50	18.60	20.50	22.30	23.90	25.30	26.30	26.60
		40		14.60	16.90	19.10	21.30	23.40	25.30	27.00	28.50	28.90
		45		14.60	17.10	19.60	22.00	24.40	26.60	28.70	30.40	31.10
50			14.60	17.20	19.90	22.60	25.20	27.70	30.10	32.20	33.00	
55		14.40	17.20	20.10	23.00	25.90	28.70	31.40	33.90	34.80		
6SJH-400E	Q	20	29.00	38.20	49.10	62.00	77.00	94.40	114.50	137.00	163.00	174.00
		25	26.40	35.30	45.70	57.90	72.10	88.50	107.50	128.50	153.00	163.50
		30	23.90	32.30	42.20	53.60	66.90	82.30	99.80	120.00	142.50	152.50
		35	21.30	29.30	38.60	49.30	61.70	75.90	92.20	111.00	132.00	141.00
		40		26.40	35.00	44.90	56.30	69.40	84.40	101.50	121.00	129.50
		45		23.50	31.40	40.50	50.80	62.70	76.40	92.00	110.00	117.50
		50		20.60	27.80	36.00	45.30	56.00	68.30	82.40	98.40	105.50
	55		17.90	24.40	31.60	39.80	49.30	60.10	72.60	86.90	93.20	
	P	20	13.20	15.30	17.30	19.10	20.70	22.00	23.00	23.50	23.60	23.50
		25	13.40	15.70	17.90	20.00	21.90	23.60	25.00	25.90	26.50	26.50
		30	13.60	16.00	18.50	20.90	23.10	25.10	26.80	28.20	29.20	29.50
		35	13.70	16.40	19.00	21.60	24.20	26.50	28.60	30.40	31.80	32.30
		40		16.60	19.50	22.30	25.10	27.80	30.20	32.40	34.30	34.90
		45		16.70	19.80	22.90	25.90	28.90	31.70	34.30	36.50	37.40
50			16.70	20.00	23.30	26.60	29.80	33.00	35.90	38.60	39.60	
55		16.50	20.00	23.50	27.00	30.60	34.00	37.30	40.40	41.50		
6SKH-500E	Q	20	34.50	44.90	57.50	72.50	90.10	110.50	134.50	161.50	192.00	205.00
		25	31.30	41.40	53.40	67.50	84.10	103.50	125.50	151.00	180.00	192.50
		30	28.20	37.80	49.10	62.40	78.00	96.00	117.00	140.50	167.50	179.50
		35	25.10	34.30	44.90	57.30	71.70	88.50	108.00	130.00	155.00	166.00
		40		30.70	40.60	52.10	65.40	80.90	98.60	119.00	142.50	152.50
		45		27.30	36.40	46.90	59.10	73.10	89.30	108.00	129.00	138.50
		50		23.90	32.30	41.80	52.70	65.40	80.00	96.80	116.00	124.50
	55		20.70	28.20	36.60	46.30	57.50	70.50	85.50	102.50	110.50	
	P	20	15.90	18.30	20.70	22.80	24.60	26.00	26.80	26.90	26.20	25.70
		25	16.20	18.90	21.50	23.90	26.10	28.00	29.30	30.00	30.00	29.80
		30	16.50	19.30	22.20	24.90	27.50	29.80	31.70	33.00	33.60	33.70
		35	16.60	19.60	22.70	25.80	28.80	31.50	33.80	35.70	37.00	37.30
		40		19.90	23.20	26.50	29.80	32.90	35.80	38.20	40.00	40.60
		45		20.00	23.50	27.10	30.70	34.20	37.50	40.40	42.80	43.70
50			20.00	23.60	27.50	31.40	35.30	39.00	42.40	45.40	46.40	
55		19.80	23.60	27.70	31.90	36.10	40.20	44.10	47.60	48.90		

Notes:

1. Suction Gas Temperature 20°C
2. Suction Gas Temperature 20°C + Fan
3. Liquid subcooling 0K

Performance Data

Q=Capacity (kW) P=Power input (kW)

50 Hz

Model	Condensing Temperature °C	Evaporating Temperature °C													
		-25	-20	-15	-10	-5	0	5	7	10	12.5	15			
6SHH-350E	Q	10	34.90	44.60	56.50	70.70	87.50	107.00							
		15	33.00	42.30	53.70	67.20	83.30	102.00	124.00						
		20	31.10	40.00	50.80	63.70	79.00	96.90	118.00	127.00	142.00				
		25	29.10	37.60	47.90	60.10	74.60	91.70	111.50	120.00	134.50	147.00	160.50		
		30	27.20	35.20	44.90	56.50	70.20	86.30	105.00	113.50	126.50	138.50	151.50		
		35	23.80	32.80	42.00	52.90	65.80	80.90	98.60	106.50	119.00	130.50	142.50		
		40	21.70	29.00	39.00	49.20	61.30	75.50	92.00	99.40	111.00	122.00	133.50		
		45	19.70	26.50	36.10	45.60	56.80	70.00	85.50	92.30	103.50	113.50	124.00		
		50	17.80	24.10	31.70	41.90	52.30	64.60	78.90	85.20	95.50	105.00	114.50		
		55		21.70	28.70	38.30	47.90	59.10	72.30	78.20	87.60	96.20	105.50		
		60			25.70	33.40	43.40	53.70	65.70	71.10	79.70	87.50	95.90		
		65				29.80	39.00	48.30	59.20	64.00	71.90	78.90	86.60		
	6SHH-350E	P	10	9.50	10.40	11.00	11.40	11.40	10.90						
			15	10.30	11.40	12.30	13.00	13.00	13.20	12.70					
		20	11.10	12.30	13.50	14.40	15.10	15.40	15.20	15.00	14.60				
		25	11.70	13.20	14.60	15.80	16.70	17.40	17.60	17.60	17.40	17.10	16.60		
		30	12.30	14.00	15.50	17.00	18.20	19.20	19.80	19.90	20.00	19.90	19.60		
		35	12.80	14.70	16.40	18.10	19.60	20.90	21.80	22.10	22.40	22.50	22.50		
		40	13.30	15.30	17.20	19.10	20.90	22.40	23.70	24.10	24.60	24.90	25.10		
		45	13.70	15.80	17.90	20.00	22.00	23.80	25.40	25.90	26.70	27.20	27.50		
		50	14.10	16.30	18.50	20.80	23.00	25.10	27.00	27.60	28.60	29.20	29.80		
		55		16.70	19.10	21.50	23.90	26.20	28.40	29.20	30.30	31.10	31.90		
		60			19.50	22.00	24.60	27.20	29.60	30.50	31.80	32.80	33.70		
		65				22.50	25.30	28.00	30.70	31.70	33.20	34.30	35.40		
6SJH-400E		Q	10	40.40	52.00	66.10	83.10	103.00	127.00						
			15	38.60	49.80	63.40	79.70	99.10	122.00	148.00					
		20	36.70	47.50	60.50	76.10	94.60	116.50	141.50	152.50	170.50				
		25	34.60	45.00	57.40	72.30	90.00	110.50	134.50	145.00	162.00	177.50	194.00		
		30	32.50	42.30	54.20	68.30	85.10	104.50	127.50	137.50	153.50	168.00	183.50		
		35	28.50	39.60	50.80	64.20	80.00	98.40	120.00	129.50	144.50	158.00	173.00		
		40	26.00	35.10	47.30	59.90	74.70	92.00	112.00	121.00	135.00	148.00	162.00		
		45	23.50	32.00	43.70	55.50	69.30	85.40	104.00	112.50	126.00	138.00	150.50		
		50	20.90	28.90	38.30	50.90	63.70	78.60	96.00	103.50	116.00	127.00	139.00		
		55		25.70	34.40	46.30	58.00	71.80	87.70	94.80	106.00	116.50	127.50		
		60			30.50	40.00	52.30	64.80	79.30	85.70	96.10	105.50	115.50		
		65				35.20	46.50	57.70	70.70	76.50	85.90	94.30	103.50		
	6SJH-400E	P	10	11.90	12.80	13.50	13.70	13.40	12.50						
			15	12.70	13.90	14.90	15.60	15.70	15.40	14.30					
		20	13.40	14.90	16.30	17.30	17.90	18.00	17.50	17.10	16.40				
		25	14.00	15.80	17.40	18.80	19.90	20.40	20.50	20.30	19.90	19.40	18.60		
		30	14.50	16.50	18.50	20.20	21.70	22.70	23.30	23.30	23.30	23.00	22.60		
		35		17.10	19.40	21.40	23.30	24.80	25.80	26.10	26.40	26.40	26.30		
		40			20.10	22.50	24.70	26.70	28.20	28.70	29.30	29.60	29.80		
		45			20.70	23.40	26.00	28.40	30.40	31.00	31.90	32.50	33.00		
		50				24.20	27.10	29.80	32.30	33.20	34.40	35.30	36.00		
		55				24.80	28.10	31.20	34.00	35.10	36.60	37.70	38.80		
		60					28.80	32.30	35.60	36.80	38.60	40.00	41.30		
		65					29.40	33.20	36.90	38.30	40.40	42.00	43.50		
6SKH-500E		Q	10	48.70	63.70	81.90	103.50	129.00	159.00						
			15	45.30	59.70	77.20	98.00	122.50	151.00	184.00					
		20	41.80	55.70	72.50	92.40	115.50	143.00	174.50	188.00	210.00				
		25	38.30	51.70	67.70	86.70	109.00	135.00	164.50	177.50	198.50	217.00	237.00		
		30	34.90	47.70	62.90	81.00	102.00	126.50	155.00	167.50	187.50	205.00	224.00		
		35	31.40	43.60	58.20	75.30	95.30	118.50	145.50	157.00	176.00	193.00	211.00		
		40	27.90	39.60	53.40	69.60	88.40	110.50	135.50	146.50	164.50	180.50	197.50		
		45	24.50	35.60	48.70	63.90	81.60	102.00	126.00	136.50	153.00	168.00	184.00		
		50	21.10	31.70	44.00	58.20	74.80	94.00	116.00	126.00	141.50	156.00	171.00		
		55		27.80	39.30	52.60	68.00	85.90	106.50	115.50	130.50	143.50	157.50		
		60			34.70	47.10	61.30	77.80	97.00	105.50	119.00	131.00	144.50		
		65				41.60	54.70	69.80	87.40	95.20	107.50	119.00	131.00		
	6SKH-500E	P	10	14.20	15.30	16.10	16.50	16.60	16.20						
			15	15.30	16.60	17.70	18.50	18.90	18.90	18.40					
		20	16.20	17.80	19.30	20.40	21.20	21.60	21.50	21.40	21.00				
		25	17.00	18.90	20.70	22.20	23.40	24.20	24.60	24.70	24.60	24.30	24.00		
		30	17.60	19.90	22.00	23.90	25.50	26.70	27.60	27.80	28.00	28.10	28.00		
		35	18.00	20.60	23.10	25.40	27.40	29.10	30.50	30.90	31.40	31.70	31.90		
		40	18.10	21.10	24.00	26.70	29.20	31.40	33.20	33.90	34.70	35.20	35.70		
		45	18.00	21.40	24.70	27.80	30.70	33.40	35.80	36.60	37.70	38.60	39.30		
		50	17.60	21.30	25.00	28.60	32.00	35.20	38.10	39.10	40.60	41.70	42.70		
		55		20.90	25.10	29.10	33.00	36.70	40.10	41.40	43.20	44.60	45.90		
		60			24.70	29.30	33.70	37.90	41.80	43.30	45.50	47.20	48.80		
		65				29.00	33.90	38.70	43.20	45.00	47.50	49.50	51.50		

Notes:

- 1. Suction Gas Temperature 20°C
- 2. Liquid subcooling 0K
- 3. Suction Superheat 20K
- 4. Suction Superheat 20K + Fan

Performance Data

Q=Capacity (kW) P=Power input (kW)

60 Hz

Model	Condensing Temperature °C	Evaporating Temperature °C										
		-45	-40	-35	-30	-25	-20	-15	-10	-5		
6SLW-2500	Q	10	13.50	19.30	26.40	34.70	44.40	55.40	67.90	81.80	97.20	
		15	12.50	18.10	24.90	32.90	42.20	52.90	65.10	78.60	93.70	
		20	11.50	16.70	23.10	30.90	39.90	50.30	62.10	75.30	90.00	
		25	10.40	15.40	21.40	28.70	37.50	47.50	58.90	71.80	86.10	
		30	9.30	14.00	19.60	26.50	34.80	44.70	55.70	68.10	82.00	
		35	8.30	12.50	17.80	24.30	32.20	41.40	52.30	64.30	77.80	
		40	7.20	11.10	16.10	22.00	29.50	38.30	48.90	60.50	73.50	
		45	6.20	9.70	14.30	20.20	26.80	35.20	44.90	56.50	69.00	
		50		8.30	12.60	18.00	24.20	32.00	41.30	52.40	64.50	
		55		7.00	10.80	15.80	21.90	28.80	37.60	47.90	59.90	
		P	10	8.40	9.50	10.80	12.00	13.10	14.10	14.80	15.20	15.20
			15	8.70	10.00	11.40	12.80	14.20	15.40	16.40	17.10	17.40
			20	9.00	10.50	12.10	13.70	15.30	16.70	18.00	18.90	19.50
			25	9.20	10.90	12.70	14.50	16.30	18.00	19.50	20.70	21.60
			30	9.50	11.30	13.20	15.30	17.30	19.20	21.00	22.50	23.60
			35	9.60	11.60	13.70	16.00	18.20	20.30	22.40	24.10	25.60
			40	9.80	11.90	14.20	16.60	19.00	21.40	23.70	25.70	27.50
		45	9.80	12.10	14.50	17.10	19.80	22.40	24.90	27.20	29.30	
		50		12.10	14.80	17.60	20.40	23.20	26.00	28.60	30.90	
		55		12.10	14.90	17.90	20.90	24.00	27.00	29.80	32.40	
6STW-3200	Q	10	17.70	24.10	31.90	41.40	52.60	65.80	81.10	98.70	118.50	
		15	16.10	22.20	29.80	38.80	49.60	62.40	77.10	94.10	113.50	
		20	14.50	20.30	27.50	36.20	46.60	58.90	73.10	89.50	108.00	
		25	13.00	18.50	25.20	33.50	43.60	55.30	69.00	84.80	103.00	
		30	11.50	16.70	22.90	30.80	40.40	51.80	65.00	80.10	97.50	
		35	10.00	14.90	21.00	28.20	37.30	48.00	60.90	75.50	92.20	
		40	8.60	13.20	19.00	25.80	34.20	44.40	56.80	70.80	86.80	
		45	7.20	11.60	17.00	23.60	31.20	40.80	52.30	66.10	81.50	
		50		9.90	15.00	21.20	28.40	37.30	48.20	61.50	76.10	
		55		8.40	13.10	18.90	26.00	34.00	44.10	56.30	70.80	
		P	10	11.10	12.40	13.70	15.10	16.40	17.70	19.00	20.30	21.70
			15	11.10	12.70	14.20	15.80	17.40	19.00	20.60	22.30	24.00
			20	11.10	12.90	14.70	16.50	18.30	20.20	22.20	24.10	26.20
			25	11.00	13.00	15.10	17.10	19.20	21.40	23.60	25.90	28.30
			30	10.90	13.20	15.40	17.70	20.10	22.50	25.00	27.60	30.40
			35	10.90	13.30	15.80	18.30	20.90	23.60	26.40	29.30	32.30
			40	10.80	13.40	16.10	18.90	21.70	24.70	27.70	30.90	34.30
		45	10.80	13.60	16.50	19.40	22.50	25.70	29.00	32.50	36.20	
		50		13.80	16.90	20.00	23.30	26.80	30.40	34.10	38.00	
		55		14.10	17.30	20.70	24.20	27.90	31.70	35.70	39.90	
6SUW-4000	Q	10	20.90	28.60	38.40	50.20	64.40	81.20	100.50	123.00	149.00	
		15	19.50	27.00	36.50	48.00	61.80	78.10	97.10	119.00	144.00	
		20	18.00	25.30	34.40	45.50	58.80	74.60	93.00	114.50	138.50	
		25	16.40	23.50	32.10	42.80	55.60	70.80	88.60	109.00	132.50	
		30	14.80	21.60	29.70	39.90	52.20	66.80	83.90	103.50	126.50	
		35	13.10	19.60	27.10	36.80	48.50	62.40	78.80	97.80	119.50	
		40	11.40	17.50	25.00	33.60	44.70	57.80	73.40	91.60	112.50	
		45	9.70	15.40	22.30	30.90	40.60	53.10	67.80	85.10	105.00	
		50		13.30	19.70	27.60	36.50	48.10	61.90	78.20	97.30	
		55		11.20	17.00	24.20	33.10	43.00	55.90	71.20	89.10	
		P	10	12.30	14.40	16.30	18.00	19.50	20.70	21.50	21.90	21.90
			15	12.60	14.90	17.10	19.10	20.80	22.40	23.60	24.50	24.90
			20	12.90	15.40	17.80	20.00	22.20	24.00	25.70	27.00	28.00
			25	13.20	15.90	18.50	21.00	23.40	25.70	27.70	29.50	30.90
			30	13.50	16.30	19.10	21.90	24.60	27.20	29.70	31.90	33.80
			35	13.70	16.70	19.80	22.80	25.80	28.70	31.50	34.20	36.60
			40	13.90	17.00	20.30	23.60	26.90	30.10	33.30	36.40	39.30
		45	14.00	17.30	20.70	24.30	27.80	31.40	35.00	38.50	41.80	
		50		17.50	21.10	24.80	28.70	32.60	36.60	40.50	44.30	
		55		17.50	21.30	25.30	29.50	33.70	38.00	42.30	46.60	

Notes:

- 1. Suction Gas Temperature 20°C
- 2. Liquid subcooling 0K
- 3. Limited SH 20K
- 4. Suction SH 20K + Fan
- 5. Suction Gas Temperature 20°C + Fan + Liq. Inj.

Performance Data

Q=Capacity (kW) P=Power input (kW)

60 Hz

Model	Condensing Temperature °C	Evaporating Temperature °C													
		-25	-20	-15	-10	-5	0	5	7	10	12.5				
6SHH-3500	10	47.40	58.90	72.60	88.60	107.00	129.00								
	15	44.80	55.90	69.10	84.50	102.50	123.00								
	20	42.20	52.90	65.60	80.40	97.60	117.50	140.50	150.50						
	25	39.60	49.90	62.00	76.30	92.80	112.00	134.00	143.50	159.00	172.50				
	30	37.00	46.90	58.50	72.10	87.90	106.00	127.00	136.00	151.00	164.00				
	35	33.40	43.90	55.00	67.90	83.00	100.50	120.50	129.00	143.00	155.50				
	40	30.60	39.90	51.50	63.80	78.10	94.50	113.50	122.00	135.00	147.00				
	45	27.90	36.70	48.00	59.60	73.10	88.70	106.50	114.50	127.00	138.50				
	50	24.60	32.90	43.40	55.50	68.20	82.90	99.70	107.00	119.00	129.50				
	55			38.90	50.50	63.40	77.10	92.90	99.80	111.00	121.00				
	60				45.20	58.50	71.30	86.10	92.50	103.00	112.50				
	62				43.50	56.60	69.00	83.30	89.60	99.70	109.00				
	6SHH-3500	10	14.80	15.50	15.80	15.80	15.30	14.40							
		15	15.60	16.50	17.10	17.40	17.40	16.90							
20		16.30	17.50	18.40	19.10	19.40	19.30	18.80	18.40						
25		17.00	18.40	19.70	20.70	21.40	21.70	21.60	21.50	21.10	20.60				
30		17.70	19.40	20.90	22.20	23.30	24.00	24.40	24.40	24.30	24.10				
35		18.40	20.30	22.10	23.70	25.10	26.30	27.10	27.30	27.50	27.50				
40		19.00	21.10	23.20	25.20	26.90	28.40	29.70	30.10	30.50	30.80				
45		19.60	21.90	24.30	26.50	28.60	30.50	32.20	32.70	33.50	34.00				
50		20.10	22.70	25.30	27.80	30.20	32.50	34.50	35.30	36.30	37.10				
55				26.10	29.00	31.70	34.30	36.80	37.70	39.00	40.00				
60					30.00	33.10	36.00	38.90	40.00	41.50	42.70				
62					30.40	33.60	36.70	39.70	40.80	42.50	43.80				
6SJH-4000		10	55.50	69.60	86.30	106.00	128.50	155.00							
		15	52.00	65.70	81.80	100.50	122.50	148.00							
	20	48.50	61.70	77.30	95.50	116.50	141.00	169.00	181.50						
	25	45.10	57.80	72.80	90.30	110.50	134.00	161.00	173.00	192.00	209.00				
	30	41.70	53.90	68.30	85.00	104.50	127.00	153.00	164.50	182.50	199.00				
	35	36.60	50.00	63.80	79.80	98.40	120.00	144.50	155.50	173.00	188.50				
	40	32.90	44.60	59.30	74.60	92.30	113.00	136.50	146.50	163.50	178.00				
	45	29.20	40.50	54.80	69.40	86.20	105.50	128.00	138.00	153.50	168.00				
	50	24.70	35.40	48.80	64.20	80.20	98.60	119.50	129.00	144.00	157.50				
	55			43.00	57.80	74.10	91.50	111.50	120.00	134.00	147.00				
	60				51.10	68.10	84.40	103.00	111.50	124.50	136.50				
	62				48.90	65.70	81.60	99.80	108.00	120.50	132.00				
	6SJH-4000	10	16.80	17.70	18.20	18.30	17.80	16.80							
		15	17.70	18.90	19.80	20.30	20.30	19.80							
20		18.50	20.00	21.30	22.20	22.70	22.70	22.20	21.80						
25		19.30	21.20	22.80	24.20	25.10	25.60	25.60	25.40	25.00	24.40				
30		20.00	22.30	24.30	26.00	27.40	28.40	28.90	29.00	28.90	28.60				
35		20.80	23.30	25.60	27.80	29.60	31.10	32.10	32.40	32.60	32.70				
40		21.40	24.20	26.90	29.40	31.70	33.60	35.20	35.70	36.30	36.60				
45		21.90	25.00	28.10	31.00	33.70	36.10	38.10	38.80	39.80	40.40				
50		22.40	25.80	29.10	32.40	35.50	38.40	40.90	41.90	43.10	44.00				
55				30.10	33.70	37.20	40.50	43.60	44.70	46.30	47.50				
60					34.90	38.80	42.50	46.00	47.40	49.30	50.80				
62					35.30	39.30	43.30	47.00	48.40	50.40	52.00				
6SKH-5000		10	61.10	77.50	97.30	121.00	148.50	181.00							
		15	58.50	74.40	93.60	116.50	143.00	174.50							
	20	55.70	71.10	89.60	111.50	137.50	167.50	202.00	217.00						
	25	52.70	67.60	85.40	106.50	131.00	160.00	193.00	208.00	231.00	252.00				
	30	49.70	63.90	81.00	101.00	124.50	152.00	183.50	197.50	220.00	240.00				
	35	44.80	60.20	76.40	95.60	118.00	144.00	174.00	187.00	208.00	227.00				
	40	41.40	54.70	71.80	89.90	111.00	135.50	164.00	176.50	196.50	214.00				
	45	38.20	50.80	67.10	84.10	104.00	127.00	153.50	165.50	184.00	201.00				
	50	34.20	45.80	60.80	78.40	96.90	118.50	143.00	154.00	171.50	187.50				
	55			54.70	71.20	89.70	109.50	132.50	142.50	159.00	173.50				
	60				63.80	82.60	101.00	122.00	131.00	146.00	159.50				
	62				61.40	79.80	97.40	117.50	126.50	141.00	154.00				
	6SKH-5000	10	18.90	20.10	20.90	21.20	20.80	19.80							
		15	20.00	21.60	22.90	23.70	23.90	23.50							
20		21.00	23.00	24.80	26.10	26.90	27.10	26.60	26.20						
25		21.90	24.40	26.50	28.30	29.60	30.40	30.60	30.40	30.00	29.40				
30		22.80	25.60	28.10	30.30	32.20	33.50	34.30	34.50	34.40	34.20				
35		23.70	26.70	29.60	32.30	34.60	36.50	37.90	38.30	38.70	38.80				
40		24.40	27.80	31.00	34.10	36.80	39.30	41.20	41.80	42.60	43.10				
45		25.10	28.70	32.30	35.70	38.90	41.80	44.30	45.20	46.40	47.20				
50		25.80	29.60	33.50	37.30	40.90	44.20	47.30	48.40	49.90	51.00				
55				34.60	38.70	42.70	46.50	50.00	51.30	53.20	54.60				
60					40.00	44.30	48.60	52.60	54.10	56.20	57.90				
62					40.50	45.00	49.30	53.50	55.10	57.40	59.20				

Notes:

- 1. Suction Gas Temperature 20°C
- 2. Liquid subcooling 0K
- 3. Suction Superheat 20K
- 4. Suction Superheat 10K + Fan

Performance Data

Q=Capacity (kW) P=Power input (kW)

60 Hz

Model	Condensing Temperature °C	Evaporating Temperature °C												
		-45	-40	-35	-30	-25	-20	-15	-10	-5				
6SLW-250E	10	20.60	27.30	35.60	45.70	57.50								
	15	18.80	25.10	33.10	42.60	53.90	67.00							
	20	16.90	23.00	30.50	39.60	50.30	62.60	76.80						
	25	14.30	20.90	28.00	36.60	46.60	58.30	71.60	86.80					
	30	12.50	18.90	25.60	33.60	43.00	53.90	66.40	80.50	96.50				
	35	10.70	15.70	23.20	30.60	39.30	49.50	61.10	74.30	89.20				
	40	9.00	13.60	20.80	27.60	35.70	45.10	55.80	68.00	81.80				
	45	7.50	11.70	16.70	24.70	32.10	40.60	50.50	61.70	74.30				
	50		9.80	14.30	21.80	28.50	36.20	45.10	55.30	66.80				
	55		8.00	11.90	16.60	24.90	31.80	39.80	46.30	57.70				
	10	9.80	11.50	13.20	14.90	16.40								
	15	9.90	11.80	13.80	15.60	17.40	19.10							
	20	10.10	12.10	14.20	16.30	18.40	20.20	21.90						
	25	10.10	12.30	14.60	16.90	19.20	21.30	23.30	25.10					
30	10.10	12.40	14.90	17.40	19.90	22.30	24.60	26.70	28.50					
35	10.00	12.50	15.10	17.80	20.50	23.20	25.80	28.20	30.40					
40	9.90	12.50	15.30	18.20	21.10	24.10	26.90	29.60	32.10					
45	9.70	12.40	15.40	18.50	21.60	24.80	27.90	30.90	33.70					
50		12.30	15.40	18.70	22.00	25.40	28.80	32.10	35.20					
55		12.20	15.40	18.80	22.30	26.00	29.60	33.20	36.60					
6STW-320E	10	23.20	31.70	42.00	54.40	68.90								
	15	21.10	29.20	39.10	50.90	64.60	80.50							
	20	19.20	26.80	36.20	47.40	60.40	75.50	92.80						
	25	15.80	24.60	33.40	43.90	56.20	70.50	86.90	105.50					
	30	14.00	22.40	30.60	40.50	52.10	65.50	80.90	98.40	118.00				
	35	12.30	18.20	27.90	37.00	47.80	60.40	74.80	91.30	110.00				
	40	10.70	16.00	25.10	33.60	43.60	55.30	68.70	84.10	101.50				
	45	9.10	13.90	19.80	30.10	39.30	50.10	62.50	76.70	92.90				
	50		11.80	17.00	26.60	35.00	44.80	56.20	69.30	84.20				
	55		9.70	14.20	19.70	30.50	39.30	49.70	58.00	73.20				
	10	11.90	14.00	16.00	17.80	19.40								
	15	12.10	14.40	16.60	18.60	20.50	22.30							
	20	12.30	14.70	17.10	19.50	21.70	23.70	25.60						
	25	12.30	15.00	17.60	20.20	22.70	25.10	27.30	29.40					
30	12.30	15.20	18.10	20.90	23.70	26.40	29.00	31.40	33.60					
35	12.20	15.30	18.40	21.50	24.60	27.60	30.50	33.30	36.00					
40	12.00	15.20	18.60	21.90	25.30	28.70	32.00	35.10	38.20					
45	11.50	15.00	18.60	22.20	25.90	29.60	33.20	36.80	40.20					
50		14.60	18.50	22.40	26.30	30.40	34.30	38.30	42.10					
55		14.00	18.10	22.30	26.60	30.90	35.20	39.60	43.80					
6SUW-400E	10	28.90	38.50	50.20	64.20	80.80								
	15	26.70	36.00	47.30	60.70	76.50	94.90							
	20	24.40	33.40	44.20	57.10	72.10	89.60	109.50						
	25	20.80	30.80	41.10	53.30	67.50	84.00	103.00	125.00					
	30	18.50	28.10	37.90	49.30	62.70	78.30	96.20	116.50	140.00				
	35	16.10	23.70	34.60	45.40	57.90	72.30	89.10	108.00	130.00				
	40	13.90	20.90	31.40	41.30	52.90	66.30	81.80	99.50	120.00				
	45	11.80	18.30	25.70	37.30	47.90	60.20	74.40	90.70	109.50				
	50		15.80	22.50	33.30	42.90	54.00	66.90	81.80	98.80				
	55		13.40	19.30	26.00	37.80	47.80	59.30	69.00	85.90				
	10	14.40	17.00	19.30	21.50	23.30								
	15	14.70	17.40	20.10	22.60	24.80	26.80							
	20	14.80	17.80	20.70	23.50	26.20	28.60	30.80						
	25	15.00	18.10	21.30	24.40	27.50	30.30	33.00	35.30					
30	15.00	18.40	21.80	25.20	28.60	31.90	35.00	37.90	40.50					
35	15.00	18.50	22.10	25.90	29.60	33.30	36.90	40.30	43.50					
40	14.90	18.60	22.40	26.40	30.50	34.60	38.70	42.60	46.40					
45	14.70	18.50	22.60	26.80	31.20	35.70	40.20	44.70	49.00					
50		18.40	22.60	27.10	31.90	36.70	41.60	46.50	51.40					
55		18.20	22.60	27.30	32.30	37.50	42.80	48.20	53.60					

Notes:

1. Suction Gas Temperature 20°C
2. Suction Gas Temperature 0°C
3. Suction Gas Temperature 0°C + Fan
4. Limited SH
5. Liquid subcooling 20K

Performance Data

Q=Capacity (kW) P=Power input (kW)

60 Hz

Model	Condensing Temperature °C	Evaporating Temperature °C										
		-35	-30	-25	-20	-15	-10	-5	0	5	7	
6SHH-350E	Q	20	29.70	38.60	49.50	62.40	77.60	95.20	115.50	139.00	165.00	176.50
		25	27.20	35.70	46.00	58.20	72.50	89.10	108.00	130.00	155.00	165.50
		30	24.80	32.80	42.50	53.90	67.30	82.90	101.00	121.50	144.50	154.50
		35	22.30	29.90	38.90	49.60	62.10	76.60	93.20	112.50	134.00	143.50
		40		27.00	35.40	45.30	56.80	70.20	85.60	103.50	123.50	132.00
		45		24.00	31.80	40.90	51.50	63.70	77.90	94.10	112.50	120.50
		50		21.10	28.20	36.50	46.10	57.20	70.10	84.80	102.00	109.00
	55		18.20	24.60	32.10	40.70	50.60	62.20	75.50	90.80	97.50	
	P	20	14.20	16.00	17.80	19.40	20.70	21.80	22.50	22.70	22.50	22.30
		25	14.50	16.60	18.60	20.50	22.20	23.60	24.70	25.40	25.70	25.70
		30	14.70	17.00	19.30	21.40	23.50	25.30	26.80	28.00	28.70	28.90
		35	14.80	17.30	19.80	22.30	24.60	26.80	28.70	30.30	31.50	31.90
		40		17.50	20.20	22.90	25.60	28.10	30.40	32.40	34.10	34.70
		45		17.60	20.50	23.50	26.40	29.30	31.90	34.40	36.50	37.30
50			17.50	20.60	23.90	27.10	30.30	33.30	36.10	38.70	39.60	
55		17.30	20.70	24.10	27.60	31.10	34.40	37.60	40.60	41.70		
6SJH-400E	Q	20	34.20	45.00	57.90	73.10	90.90	111.50	135.00	162.00	192.50	205.00
		25	31.20	41.60	53.90	68.30	85.00	104.50	126.50	152.00	180.50	193.00
		30	28.10	38.10	49.80	63.30	79.00	97.10	118.00	141.50	168.00	180.00
		35	25.10	34.60	45.60	58.20	72.80	89.60	109.00	131.00	155.50	166.50
		40		31.10	41.30	53.00	66.40	81.90	99.60	120.00	143.00	153.00
		45		27.70	37.10	47.70	60.00	74.00	90.20	108.50	129.50	138.50
		50		24.30	32.90	42.50	53.50	66.10	80.60	97.20	116.00	124.50
	55		21.10	28.80	37.30	47.00	58.10	70.90	85.70	102.50	110.00	
	P	20	15.80	18.30	20.70	22.90	24.80	26.40	27.60	28.20	28.30	28.20
		25	16.10	18.80	21.50	24.00	26.30	28.30	30.00	31.10	31.80	31.90
		30	16.30	19.30	22.20	25.00	27.70	30.10	32.20	33.90	35.10	35.40
		35	16.40	19.60	22.80	26.00	29.00	31.80	34.30	36.50	38.20	38.70
		40		19.90	23.30	26.80	30.10	33.30	36.30	38.90	41.10	41.90
		45		20.00	23.70	27.40	31.10	34.70	38.00	41.10	43.80	44.80
50			20.00	23.90	27.90	31.90	35.80	39.50	43.10	46.30	47.50	
55		19.90	23.90	28.20	32.40	36.70	40.80	44.80	48.40	49.80		
6SKH-500E	Q	20	40.70	53.00	67.90	85.60	106.50	130.50	158.50	190.50	227.00	242.00
		25	37.00	48.80	63.00	79.70	99.20	122.00	148.00	178.50	212.00	227.00
		30	33.30	44.60	58.00	73.70	92.00	113.50	138.00	166.00	198.00	212.00
		35	29.70	40.40	53.00	67.60	84.70	104.50	127.00	153.50	183.00	196.00
		40		36.30	48.00	61.50	77.20	95.40	116.50	140.50	168.00	180.00
		45		32.20	43.00	55.40	69.70	86.30	105.50	127.50	152.50	163.50
		50		28.30	38.10	49.30	62.20	77.10	94.30	114.00	137.00	147.00
	55		24.40	33.30	43.20	54.70	67.90	83.20	101.00	121.00	130.00	
	P	20	19.10	22.00	24.80	27.30	29.50	31.10	32.10	32.30	31.50	30.80
		25	19.50	22.60	25.80	28.70	31.40	33.60	35.20	36.10	36.10	35.80
		30	19.80	23.10	26.60	29.90	33.10	35.80	38.00	39.60	40.40	40.40
		35	20.00	23.50	27.30	31.00	34.50	37.80	40.60	42.80	44.40	44.70
		40		23.80	27.80	31.80	35.80	39.50	42.90	45.80	48.00	48.70
		45		24.00	28.20	32.50	36.80	41.00	45.00	48.50	51.40	52.40
50			23.90	28.40	33.00	37.70	42.30	46.70	50.80	54.40	55.70	
55		23.80	28.40	33.20	38.30	43.30	48.20	52.90	57.20	58.70		

Notes:

1. Suction Gas Temperature 20°C
2. Suction Gas Temperature 20°C + Fan
3. Liquid subcooling 0K

Performance Data

Q=Capacity (kW) P=Power input (kW)

60 Hz

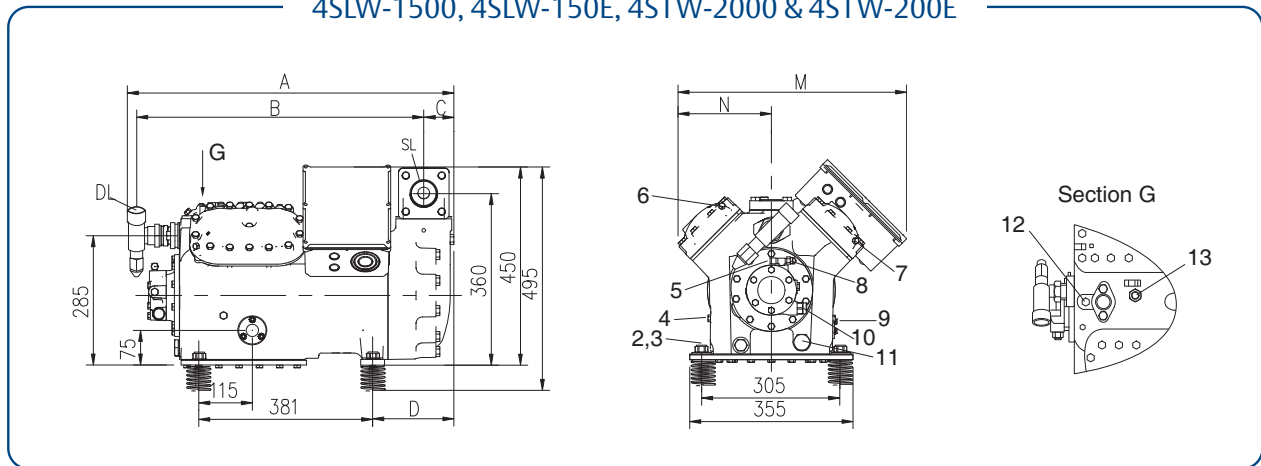
Model	Condensing Temperature °C	Evaporating Temperature °C																						
		-25	-20	-15	-10	-5	0	5	7	10	12.5	15												
6SHH-350E	Q	10	41.20	52.70	66.60	83.40	103.00	126.50																
		15	38.90	50.00	63.30	79.30	98.30	120.50	146.50															
		20	36.70	47.20	59.90	75.20	93.20	114.50	139.00	150.00	167.50													
		25	34.40	44.40	56.50	71.00	88.10	108.00	131.50	142.00	158.50	173.50	189.50											
		30	32.10	41.60	53.00	66.70	82.90	102.00	124.00	133.50	149.50	163.50	179.00											
		35	28.10	38.70	49.50	62.40	77.60	95.50	116.50	125.50	140.50	154.00	168.00											
		40	25.70	34.30	46.00	58.10	72.30	89.10	108.50	117.50	131.00	144.00	157.50											
		45	23.30	31.30	42.60	53.80	67.00	82.70	101.00	109.00	122.00	133.50	146.50											
		50	20.90	28.40	37.40	49.50	61.80	76.20	93.10	100.50	112.50	123.50	135.50											
		55		25.60	33.80	45.20	56.50	69.80	85.30	92.20	103.50	113.50	124.50											
		60			30.30	41.50	51.20	63.30	77.50	83.90	94.10	103.50	113.00											
		65				35.10	46.10	57.00	69.80	75.50	84.80	93.20	102.00											
	6SHH-350E	P	10	11.40	12.50	13.20	13.60	13.60	13.10															
			15	12.40	13.70	14.80	15.50	15.90	15.90	15.20														
		20	13.30	14.80	16.20	17.30	18.10	18.40	18.30	18.00	17.50													
		25	14.10	15.80	17.50	18.90	20.00	20.80	21.10	21.00	20.80	20.40	19.90											
		30	14.80	16.70	18.70	20.40	21.90	23.00	23.70	23.90	23.90	23.80	23.50											
		35	15.40	17.60	19.70	21.70	23.50	25.00	26.20	26.50	26.80	27.00	26.90											
		40	16.00	18.30	20.60	22.90	25.00	26.90	28.40	28.90	29.50	29.90	30.10											
		45	16.50	19.00	21.50	24.00	26.40	28.60	30.50	31.10	32.00	32.60	33.10											
		50	16.90	19.50	22.20	24.90	27.60	30.10	32.30	33.20	34.30	35.10	35.80											
		55		20.00	22.80	25.80	28.70	31.40	34.00	35.00	36.30	37.30	38.20											
		60			23.40	26.50	29.60	32.60	35.50	36.60	38.20	39.40	40.50											
		65				27.00	30.30	33.60	36.80	38.00	39.80	41.20	42.50											
6SJH-400E		Q	10	46.80	60.70	77.60	97.90	122.00	149.50															
			15	44.50	58.00	74.30	93.80	117.00	143.50	174.50														
		20	42.00	55.00	70.70	89.40	111.50	137.00	167.00	180.00	201.00													
		25	39.30	51.80	66.80	84.70	106.00	130.50	159.00	171.50	191.50	209.00	228.00											
		30	36.60	48.50	62.80	79.90	100.00	123.50	150.50	162.50	181.50	199.00	217.00											
		35	33.70	45.00	58.60	74.80	93.80	116.00	142.00	153.00	171.50	188.00	205.00											
		40	30.70	41.40	54.20	69.50	87.50	108.50	133.00	143.50	161.00	176.50	193.00											
		45	27.70	37.80	49.80	64.10	81.00	101.00	124.00	134.00	150.50	165.00	180.50											
		50	24.70	34.10	45.20	58.60	74.30	92.80	114.50	124.00	139.50	153.00	168.00											
		55		30.30	40.60	52.90	67.50	84.70	105.00	113.50	128.00	141.00	155.00											
		60			36.00	47.20	60.60	76.40	95.00	103.50	116.50	128.50	141.50											
		65				41.50	53.60	68.10	85.10	92.70	105.00	116.50	128.50											
	6SJH-400E	P	10	14.20	15.40	16.20	16.40	16.10	15.00															
			15	15.20	16.70	17.90	18.70	18.90	18.40	17.20														
		20	16.00	17.90	19.50	20.70	21.40	21.60	21.00	20.50	19.60													
		25	16.80	18.90	20.90	22.60	23.80	24.50	24.60	24.40	23.90	23.20	22.30											
		30	17.30	19.80	22.10	24.20	26.00	27.20	27.90	28.00	27.90	27.60	27.10											
		35	17.80	20.50	23.20	25.70	27.90	29.70	31.00	31.30	31.60	31.70	31.50											
		40	18.10	21.10	24.10	27.00	29.70	32.00	33.80	34.40	35.10	35.50	35.70											
		45	18.40	21.60	24.90	28.10	31.20	34.00	36.40	37.30	38.30	39.10	39.60											
		50	18.40	21.90	25.50	29.10	32.50	35.80	38.80	39.80	41.30	42.30	43.20											
		55		22.00	25.90	29.80	33.70	37.40	40.80	42.10	43.90	45.30	46.50											
		60			26.10	30.30	34.60	38.70	42.70	44.20	46.30	48.00	49.50											
		65				30.70	35.30	39.80	44.30	46.00	48.40	50.40	52.30											
6SKH-500E		Q	10	58.40	75.70	96.90	122.50	152.50	187.50															
			15	54.70	71.40	91.60	116.00	144.50	178.00	217.00														
		20	51.00	67.00	86.40	109.50	137.00	168.50	206.00	222.00	248.00													
		25	47.30	62.60	81.00	103.00	129.00	159.00	194.00	210.00	234.00	257.00	281.00											
		30	43.50	58.20	75.70	96.50	121.00	149.50	182.50	197.00	220.00	242.00	264.00											
		35	37.00	53.80	70.40	90.00	113.00	140.00	171.00	184.50	206.00	226.00	247.00											
		40	32.90	46.80	65.10	83.50	105.00	130.00	159.00	172.00	192.50	211.00	231.00											
		45	28.90	42.10	59.80	77.00	97.20	120.50	147.50	159.50	178.50	195.50	214.00											
		50	24.90	37.40	51.90	70.60	89.30	111.00	136.00	147.00	164.50	180.00	197.00											
		55		32.80	46.40	64.20	81.50	101.50	124.00	134.50	150.50	165.00	180.50											
		60			41.00	55.50	73.70	91.80	112.50	122.00	136.50	149.50	163.50											
		65				49.10	65.90	82.40	101.00	109.50	122.50	134.50	147.00											
	6SKH-500E	P	10	17.10	18.40	19.30	19.80	19.90	19.40															
			15	18.30	19.90	21.20	22.20	22.70	22.70	22.10														
		20	19.40	21.40	23.10	24.40	25.40	25.90	25.80	25.70	25.20													
		25	20.30	22.70	24.80	26.60	28.10	29.00	29.50	29.60	29.50	29.20	28.80											
		30	21.10	23.80	26.40	28.60	30.60	32.10	33.10	33.40	33.70	33.70	33.60											
		35	21.50	24.70	27.70	30.50	32.90	35.00	36.60	37.10	37.70	38.10	38.30											
		40	21.70	25.40	28.80	32.10	35.00	37.70	39.90	40.60	41.60	42.30	42.80											
		45	21.60	25.70	29.60	33.40	36.90	40.10	42.90	43.90	45.30	46.30	47.20											
		50	21.00	25.60	30.00	34.30	38.40	42.20	45.70	46.90	48.70	50.10	51.30											
		55		25.10	30.10	34.90	39.60	44.00	48.10	49.70	51.80	53.50	55.10											
		60			29.70	35.10	40.40	45.40	50.20	52.00	54.60	56.70	58.60											
		65				34.80	40.70	46.40	51.90	54.00	57.00	59.40	61.70											

Notes

4S Series

Dimensional Drawing

4SLW-1500, 4SLW-150E, 4STW-2000 & 4STW-200E



SL – Suction line (rotalock) DL – Discharge line (rotalock)

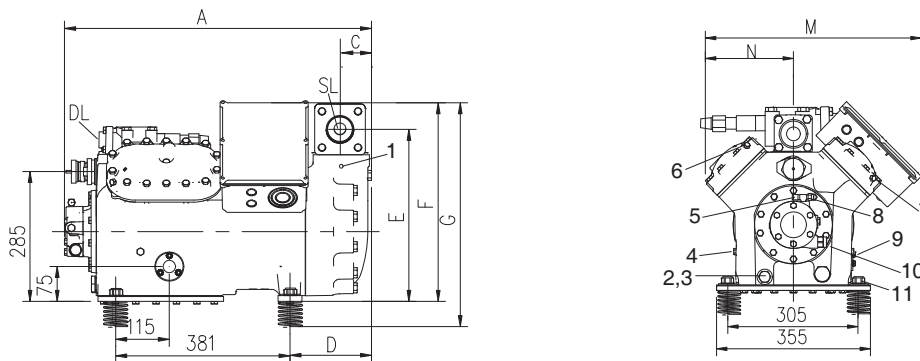
1. Plug low-pressure connection	1/8"-27NPTF	8. Connection oil-pressure control H. P.	1/4"≈6mm
2. Oil screen built in		9. Plug oil-pressure control L. P.	1/4"-18NPTF
3. Magnetic plug	1"-16UN	10. Oil Pressure Switch sensor connection	3/4"-16UNF
4. Plug oil charge	1/4"-18NPTF	11. Plug -crankcase heater	1/2"-14NPSL
5. Oil-pressure connection	7/16"-20UNF	12. DTC valve plug connection (used for 60Hz compressor)	1/2"-14NPTF
6. Plug high-pressure connection	1/8"-27NPTF	13. Liquid injection adapter connection	1/4" – 18NPTF
7. DTC valve plug connection (used for 50Hz compressor)	1/2"-14NPTF		

Model	A	B	C	D	M	N
4SLW-1500/4SLW-150E	680 mm	600 mm	55 mm	155 mm	485 mm	205 mm
4STW-2000/4STW-200E	725 mm	635 mm	65 mm	200 mm	490 mm	210 mm

4S Series

Dimensional Drawing

4SAH-2000, 4SAH-200E, 4SHH-2500, 4SHH-250E,
4SJH-3000 & 4SJH-300E



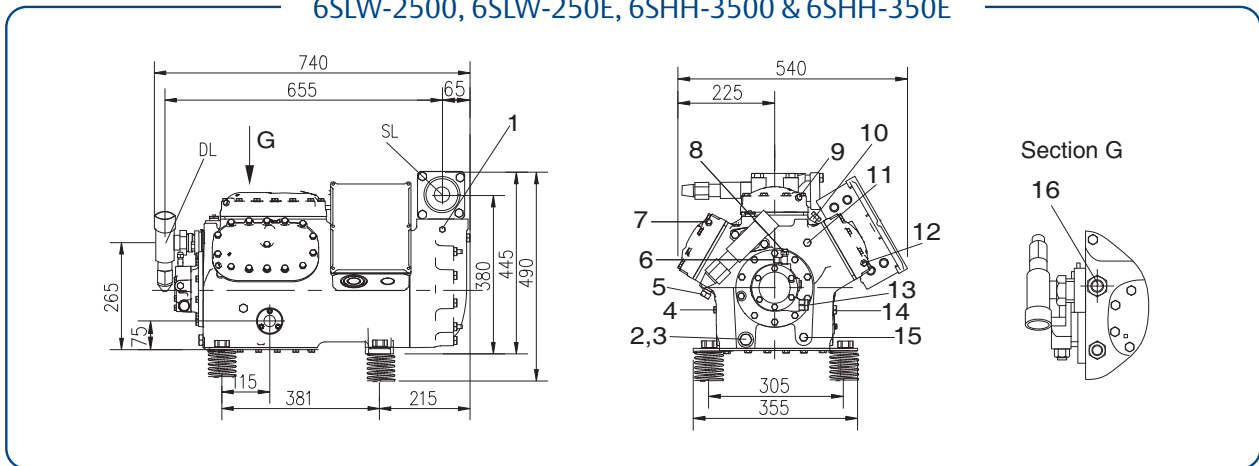
SL – Suction line (rotalock) DL – Discharge line (rotalock)

1. Plug low-pressure connection	1/8"-27NPTF	7. Plug high-pressure connection	1/8"-27NPTF
2. Oil screen built in		8. Connection oil-pressure control H. P.	1/4"≈6mm
3. Magnetic plug	1"-16UN	9. Plug oil-pressure control L. P.	1/4"-18NPTF
4. Plug oil charge	1/4"-18NPTF	10. Oil Pressure Switch sensor connection	3/4"-16UNF
5. Oil-pressure connection	7/16"-20UNF	11. Plug -crankcase heater	1/2"-14NPSL
6. Plug high-pressure connection	1/8"-27NPTF		

Model	A	C	D	E	F	G	M	N
4SAH-2000/4SAH-200E	650 mm	55 mm	155 mm	360 mm	450 mm	495 mm	485 mm	205 mm
4SHH-2500/4SHH-250E	670 mm	65 mm	180 mm	380 mm	450 mm	495 mm	490 mm	210 mm
4SJH-3000/4SJH-300E	690 mm	65 mm	200 mm	380 mm	450 mm	495 mm	515 mm	230 mm

Dimensional Drawing

6SLW-2500, 6SLW-250E, 6SHH-3500 & 6SHH-350E

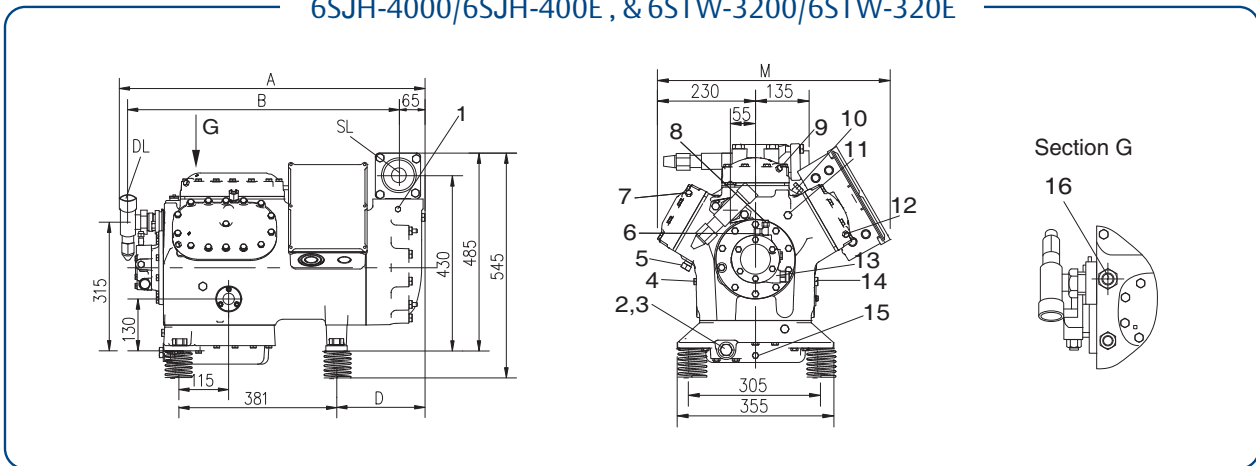


SL – Suction line(rotalock) DL – Discharge line(rotalock)

1. Plug low-pressure connection	1/8"-27NPTF	9. Plug high-pressure connection	1/8"-27NPTF
2. Oil screen built in		10. Liquid injection adapter connection	3/8"-18NPTF
3. Magnetic plug	1"-16UN	11. Plug high-pressure connection	1/4"-18NPTF
4. Plug oil charge	1/4"-18NPTF	12. Plug high-pressure connection	1/8"-27NPTF
5. Liquid injection adapter connection	1/4"-18NPTF	13. Oil Pressure Switch sensor connection	3/4"-16UNF
6. Oil-pressure connection	7/16"-20UNF	14. Plug oil-pressure control L. P.	1/4"-18NPTF
7. Plug high-pressure connection	1/8"-27NPTF	15. Plug -crankcase heater	12.7mm
8. Oil-pressure control H. P.	1/4"≈6mm		

Dimensional Drawing

6SJH-4000/6SJH-400E , & 6STW-3200/6STW-320E



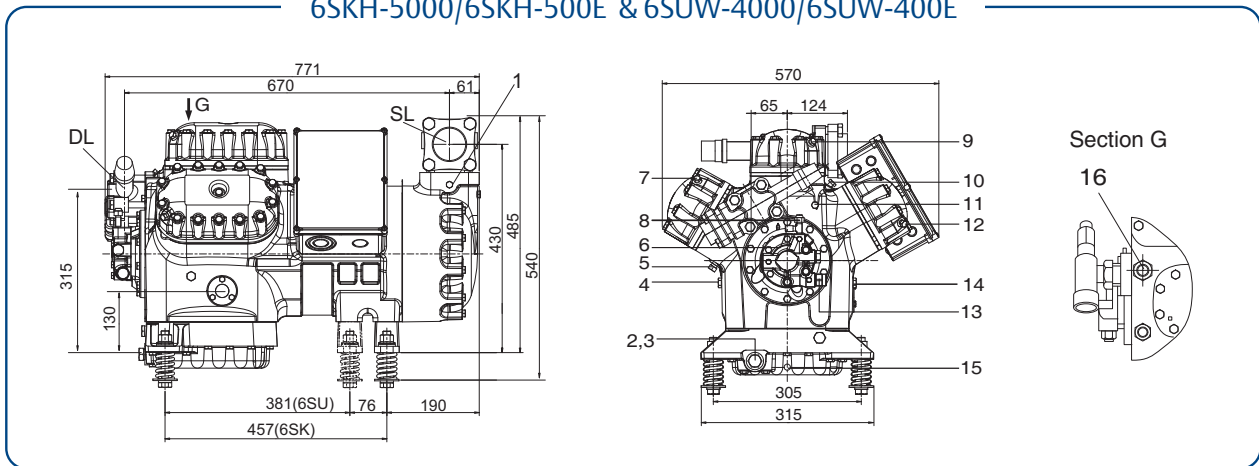
SL – Suction line (rotalock) DL – Discharge line (rotalock)

1. Plug low-pressure connection	1/8"-27NPTF	9. Plug high-pressure connection	1/8"-27NPTF
2. Oil screen built in		10. Liquid injection adapter connection	3/8"-18NPTF
3. Magnetic plug	1"-16UN	11. Plug high-pressure connection	1/4"-18NPTF
4. Plug oil charge	1/4"-18NPTF	12. Plug high-pressure connection	1/8"-27NPTF
5. Liquid injection adapter connection	1/4"-18NPTF	13. Oil Pressure Switch sensor connection	3/4"-16UNF
6. Oil-pressure connection	7/16"-20UNF	14. Plug oil-pressure control L. P.	1/4"-18NPTF
7. Plug high-pressure connection	1/8"-27NPTF	15. Plug -crankcase heater	12.7mm
8. Oil-pressure control H. P.	1/4" ≈ 6mm	16. DTC valve plug connection (used for 6STW compressor)	1/2"-14NPTF

Model	A	B	D	M
6STW-3200/6STW-320E	740 mm	655 mm	215 mm	540 mm
6SJH-4000/6SJH-400E	760 mm	675 mm	235 mm	565 mm

Dimensional Drawing

6SKH-5000/6SKH-500E & 6SUW-4000/6SUW-400E



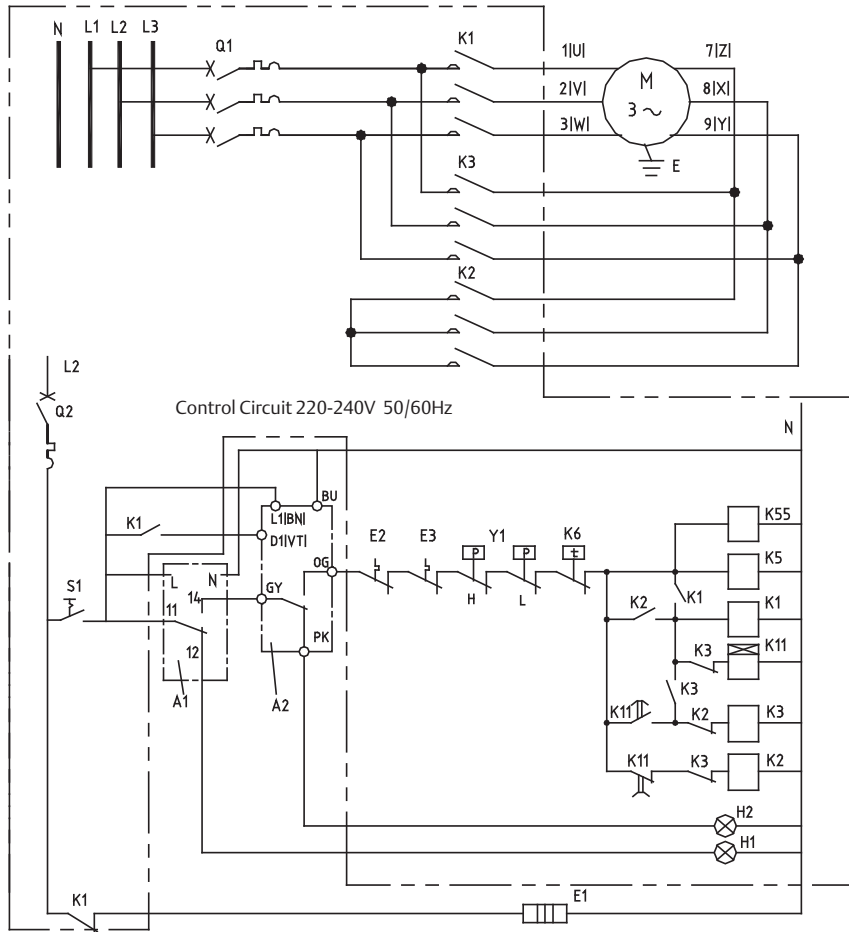
SL – Suction line (rotalock) DL – Discharge line (rotalock)

1. Plug low-pressure connection	1/8"-27NPTF	9. Plug high-pressure connection	1/8"-27NPTF
2. Oil screen built in		10. Liquid injection adapter connection	3/8"-18NPTF
3. Magnetic plug	1"-16UN	11. Plug high-pressure connection	1/4"-18NPTF
4. Plug oil charge	1/4"-18NPTF	12. Plug oil-pressure control L. P.	1/4"-18NPTF
5. Liquid injection adapter connection	1/4"-18NPTF	13. Oil Pressure Switch sensor connection	3/4"-16UNF
6. Oil-pressure connection	7/16"-20UNF	14. Plug oil-pressure control L. P.	1/4"-18NPTF
7. Plug high-pressure connection	1/8"-27NPTF	15. Plug -crankcase heater	Ø1/2"=12.7mm
8. Oil-pressure control H. P.	1/4"≈6mm	16. DTC valve plug connection (used for 6SUW compressor)	1/2"-14NPTF

4S/6S Series

Wiring Diagram

Electrical diagram For Y-Δ Start (EWK Model)



Electrical Diagram Coding

- A1: Motor protector module
- A2: Oil Differential Pressure Switch OPS2
- D1: Operating recognition Connection;
- E: Grounding Connection
- E1: Crankcase Heater
- E2-E3: Thermal protection switch for fan
- K11: Time delay relay 1-3s for Y/Δstart
- K12: Time delay relay 1s±0.1s for Part-winding Start
- K1-K4: contactor M1
- K5,K55: Fan contactor
- K6: Thermostat
- M: Compressor motor
- Q1: Mini-breaker
- Q2: Mini-breaker
- S1: Control Switch
- Y1: H/L pressure switches
- L1, L2, L3: Voltage Connection
 - 380-420V-3-50 Hz -PW
 - 380-420V-3-60Hz-Y
 - 220-240V-3-60Hz-Delta
 - 440-480V-3-60Hz-PW

Color code:

- VT: violet
- OG: orange
- GY: grey
- BN: brown
- BU: blue
- PK: pink

Terminal Jumper Schematics

	Direct-On-Line Start Δ	Direct-On-Line Start Y	Star-Delta-Start Y- Δ
Star-Delta-Motor Y- Δ Code E	<p>E.4.01.00</p>	<p>E.4.02.00</p>	<p>E.4.03.00</p>
Star-Winding Motor: Y-Y Code A	<p>Direct-On-Line Start Y-Y</p> <p>E.4.01.00</p>	<p>Part-Winding Start, first Start Step 1-2-3 Y-Y</p> <p>E.4.05.00</p>	

Motor Current Data (A)

Part Winding Connection (PW)

R22 (400V-3-50Hz) $t_c=40^\circ\text{C}(CT)$

Model	Evaporating temperature °C														
	-45	-40	-35	-30	-25	-20	-15	-10	-5	0	5	7	10	12.5	15
4SAH-2000					17.1	18.5	19.7	20.8	21.7	22.5	23.1	23.3	23.5	23.7	
4SHH-2500					20.4	22.1	23.7	25.2	26.6	27.8	28.7	29.0	29.3	29.4	
4SJH-3000					23.2	25.8	28.1	30.1	31.8	33.3	34.5	34.9	35.4	35.8	
4SLW-1500	10.2	12.6	14.8	16.9	19.0	20.9	22.8	24.6	26.3						
4STW-2000	14.4	16.0	17.7	19.6	21.5	23.4	25.5	27.7	30.0						

Part Winding Connection (PW)

R404A/507 (400V-3-50Hz) $t_c=40^\circ\text{C}(CT)$

Model	Evaporating temperature °C														
	-45	-40	-35	-30	-25	-20	-15	-10	-5	0	5	7	10	12.5	15
4SAH-200E				17.6	18.9	20.3	21.6	22.9	24.1	25.1	25.9	26.1			
4SHH-250E				21.9	23.7	25.5	27.3	29.0	30.6	32.1	33.3	33.7			
4SJH-300E				23.2	25.5	27.8	30.2	32.5	34.5	36.3	37.7	38.1			
4SLW-150E	13.7	15.3	17.2	19.1	21.2	23.4	25.5	27.6	29.6						
4STW-200E	16.2	18.0	20.1	22.4	24.9	27.5	30.2	32.9	35.7						

Part Winding Connection (PW)

R407C (400V-3-50Hz) $t_c=40^\circ\text{C}(CT)$

Model	Evaporating temperature °C														
	-45	-40	-35	-30	-25	-20	-15	-10	-5	0	5	7	10	12.5	15
4SAH-200E					15.7	17.0	18.2	19.3	20.3	21.2	21.9	22.2	22.6	22.8	23.1
4SHH-250E					19.0	20.9	22.6	24.2	25.6	26.9	28.1	28.5	29.1	29.5	29.9
4SJH-300E					20.9	26.4	26.1	28.3	30.2	31.9	33.2	33.7	34.3	34.7	35.1

Star Connection (Y)

R22 (380V-3-60Hz) $t_c=40^\circ\text{C}(CT)$

Model	Evaporating temperature °C														
	-45	-40	-35	-30	-25	-20	-15	-10	-5	0	5	7	10	12.5	15
4SAH-2000					21.6	23.3	24.9	26.2	27.4	28.3	29.1	29.3	29.6	29.8	
4SHH-2500					25.7	27.8	29.9	31.8	33.5	35.0	36.1	36.5	36.9	37.1	
4SJH-3000					29.3	32.5	35.3	37.9	40.1	41.9	43.4	43.9	44.6	45.1	
4SLW-1500	12.9	15.8	18.6	21.3	23.9	26.4	28.7	31.0	33.1						
4STW-2000	18.1	20.2	22.4	24.6	27.0	29.5	32.2	34.9	37.8						

Star Connection (Y)

R404A/507 (380V-3-60Hz) $t_c=40^\circ\text{C}(CT)$

Model	Evaporating temperature °C														
	-45	-40	-35	-30	-25	-20	-15	-10	-5	0	5	7	10	12.5	15
4SAH-200E				22.2	23.8	25.5	27.2	28.9	30.4	31.7	32.6	32.9			
4SHH-250E				27.6	29.8	32.1	34.3	36.5	38.6	40.4	41.9	42.5			
4SJH-300E				29.2	32.1	35.1	38.1	40.9	43.5	45.8	47.5	48.0			
4SLW-150E	17.3	19.3	21.6	24.1	26.7	29.4	32.2	34.8	37.3						
4STW-200E	20.4	22.7	25.4	28.3	31.4	34.6	38.0	41.5	44.9						

Star Connection (Y)

R407C (380V-3-60Hz) $t_c=40^\circ\text{C}(CT)$

Model	Evaporating temperature °C														
	-45	-40	-35	-30	-25	-20	-15	-10	-5	0	5	7	10	12.5	15
4SAH-200E					19.8	21.4	23.0	24.4	25.6	26.7	27.6	28.0	28.4	28.8	29.1
4SHH-250E					23.9	26.3	28.5	30.5	32.3	33.9	35.4	35.9	36.6	37.2	37.7
4SJH-300E					26.4	29.8	32.9	35.7	38.1	40.1	41.8	42.4	43.2	43.7	44.2

Motor Current Data (A)

Part Winding Connection (PW)

R22 (460V-3-60Hz) $t_c=40^\circ\text{C(CT)}$

Model	Evaporating temperature $^\circ\text{C}$														
	-45	-40	-35	-30	-25	-20	-15	-10	-5	0	5	7	10	12.5	15
4SAH-2000					17.1	18.5	19.7	20.8	21.7	22.5	23.1	23.3	23.5	23.7	
4SHH-2500					20.4	22.1	23.7	25.2	26.6	27.8	28.7	29.0	29.3	29.4	
4SJH-3000					23.2	25.8	28.1	30.1	31.8	33.3	34.5	34.9	35.4	35.8	
4SLW-1500	10.2	12.6	14.8	16.9	19.0	20.9	22.8	24.6	26.3						
4STW-2000	14.4	16.0	17.7	19.6	21.5	23.4	25.5	27.7	29.0						

Part Winding Connection (PW)

R404A/507 (460V-3-60Hz) $t_c=40^\circ\text{C(CT)}$

Model	Evaporating temperature $^\circ\text{C}$														
	-45	-40	-35	-30	-25	-20	-15	-10	-5	0	5	7	10	12.5	15
4SAH-200E				17.6	18.9	20.3	21.6	22.9	24.1	25.1	25.9	26.1			
4SHH-250E				21.9	23.7	25.5	27.3	29.0	30.6	32.1	33.3	33.7			
4SJH-300E				23.2	25.5	27.8	30.2	32.5	34.5	36.3	37.7	38.1			
4SLW-150E	14.0	15.4	16.9	18.5	20.2	21.8	23.5	25.0	26.3						
4STW-200E	16.2	18.0	20.1	22.4	24.9	27.5	30.2	32.9	35.7						

Part Winding Connection (PW)

R407C (460V-3-60Hz) $t_c=40^\circ\text{C(CT)}$

Model	Evaporating temperature $^\circ\text{C}$														
	-45	-40	-35	-30	-25	-20	-15	-10	-5	0	5	7	10	12.5	15
4SAH-200E					15.7	17.0	18.2	19.3	20.3	21.2	21.9	22.2	22.6	22.8	23.1
4SHH-250E					19.0	20.9	22.6	24.2	25.6	26.9	28.1	28.5	29.1	29.5	29.9
4SJH-300E					20.9	23.7	26.1	28.3	30.2	31.9	33.2	33.7	34.3	34.7	35.1

Delta Connection

R22 (230V-3-60Hz) $t_c=40^\circ\text{C(CT)}$

Model	Evaporating temperature $^\circ\text{C}$														
	-45	-40	-35	-30	-25	-20	-15	-10	-5	0	5	7	10	12.5	15
4SAH-2000					36.0	38.9	41.4	43.7	45.6	47.2	48.4	48.9	49.4	49.7	
4SHH-2500					42.8	46.4	49.8	53.0	55.9	58.3	60.2	60.8	61.5	61.8	
4SJH-3000					48.8	54.1	58.9	63.1	66.8	69.9	72.4	73.2	74.3	75.1	
4SLW-1500	21.5	26.4	31.1	35.6	39.9	44.0	47.9	51.6	55.2						
4STW-2000	30.2	33.6	37.3	41.1	45.1	49.2	53.6	58.2	60.9						

Delta Connection

R404A/507 (230V-3-60Hz) $t_c=40^\circ\text{C(CT)}$

Model	Evaporating temperature $^\circ\text{C}$														
	-45	-40	-35	-30	-25	-20	-15	-10	-5	0	5	7	10	12.5	15
4SAH-200E				37.0	39.7	42.6	45.4	48.2	50.7	52.8	54.4	54.9			
4SHH-250E				46.1	49.7	53.5	57.3	60.9	64.3	67.4	69.9	70.8			
4SJH-300E				48.7	53.5	58.5	63.4	68.2	72.5	76.3	79.2	80.1			
4SLW-150E	29.4	32.3	35.5	38.8	42.4	45.9	49.3	52.5	55.3						
4STW-200E	34.0	37.9	42.3	47.1	52.3	57.7	63.3	69.1	74.9						

Delta Connection

R407C (230V-3-60Hz) $t_c=40^\circ\text{C(CT)}$

Model	Evaporating temperature $^\circ\text{C}$														
	-45	-40	-35	-30	-25	-20	-15	-10	-5	0	5	7	10	12.5	15
4SAH-200E					32.9	35.7	38.3	40.6	42.7	44.5	46.1	46.6	47.4	47.9	48.5
4SHH-250E					39.8	43.8	47.5	50.8	53.8	56.5	58.9	59.8	61.0	61.9	62.8
4SJH-300E					44.0	49.7	54.9	59.5	63.5	66.9	69.7	70.7	72.0	72.9	73.6

Motor Current Data (A)

Part Winding Connection (PW)

R22 (400V-3-50Hz) $t_c=40^\circ\text{C}(CT)$

Model	Evaporating temperature $^\circ\text{C}$														
	-45	-40	-35	-30	-25	-20	-15	-10	-5	0	5	7	10	12.5	15
6SHH-3500					32.0	34.6	37.1	39.5	41.6	43.5	45.1	45.6	46.2	46.5	
6SJH-4000					37.2	40.1	43.0	45.7	48.3	50.5	52.3	52.9	53.6	54.0	
6SKH-5000					47.5	50.7	53.8	56.7	59.4	61.7	63.6	64.3	65.1	65.6	
6SLW-2500	18.1	20.6	23.1	25.6	28.2	30.7	33.3	35.9	38.5						
6STW-3200	23.1	25.6	28.3	31.2	34.2	37.5	40.9	44.6	48.4						
6SUW-4000	27.3	29.7	32.6	35.9	39.6	43.5	47.4	51.4	55.1						

Part Winding Connection (PW)

R404A/507 (400V-3-50Hz) $t_c=40^\circ\text{C}(CT)$

Model	Evaporating temperature $^\circ\text{C}$														
	-45	-40	-35	-30	-25	-20	-15	-10	-5	0	5	7	10	12.5	15
6SHH-350E				33.5	35.9	38.5	41.1	43.8	46.3	48.6	50.7	51.4			
6SJH-400E				35.3	38.7	42.2	45.9	49.6	53.1	56.2	59.0	60.0			
6SKH-500E				44.1	48.7	52.9	56.9	60.6	64.1	67.2	70.0	71.1			
6SLW-250E	20.1	22.4	25.1	28.1	31.3	34.7	38.2	41.6	44.9						
6STW-320E	25.1	27.9	31.1	34.5	38.1	41.9	45.8	49.7	53.5						
6SUW-400E	29.7	33.6	37.7	41.9	46.2	50.7	55.3	60.0	64.9						

Part Winding Connection (PW)

R407C (400V-3-50Hz) $t_c=40^\circ\text{C}(CT)$

Model	Evaporating temperature $^\circ\text{C}$														
	-45	-40	-35	-30	-25	-20	-15	-10	-5	0	5	7	10	12.5	15
6SHH-350E					29.6	32.5	35.2	37.6	39.8	41.8	43.5	44.2	45.0	45.7	46.3
6SJH-400E					33.3	36.8	40.0	43.0	45.6	48.0	50.0	50.7	51.7	52.5	53.2
6SKH-500E					45.3	48.5	51.7	54.8	57.7	60.4	62.7	63.5	64.5	65.3	65.8

Star Connection (Y)

R22 (380V-3-60Hz) $t_c=40^\circ\text{C}(CT)$

Model	Evaporating temperature $^\circ\text{C}$														
	-45	-40	-35	-30	-25	-20	-15	-10	-5	0	5	7	10	12.5	15
6SHH-3500					40.3	43.5	46.7	49.7	52.5	54.9	56.8	57.4	58.2	58.6	
6SJH-4000					46.9	50.5	54.2	57.6	60.8	63.6	65.9	66.6	67.5	68.1	
6SKH-5000					59.8	63.9	67.8	71.5	74.8	77.7	80.1	81.0	82.0	82.6	
6SLW-2500	22.8	25.9	29.1	32.3	35.5	38.7	41.9	45.2	48.5						
6STW-3200	29.1	32.2	35.6	39.3	43.1	47.2	51.6	56.2	61.0						
6SUW-4000	34.4	37.4	41.0	45.3	49.9	54.8	59.8	64.7	69.5						

Star Connection (Y)

R404A/507 (380V-3-60Hz) $t_c=40^\circ\text{C}(CT)$

Model	Evaporating temperature $^\circ\text{C}$														
	-45	-40	-35	-30	-25	-20	-15	-10	-5	0	5	7	10	12.5	15
6SHH-350E				42.2	45.2	48.5	51.8	55.1	58.3	61.2	63.9	64.8			
6SJH-400E				44.5	48.7	53.2	57.9	62.5	66.8	70.9	74.4	75.6			
6SKH-500E				55.6	61.3	66.7	71.7	76.4	80.7	84.7	88.3	89.6			
6SLW-250E	25.4	28.2	31.6	35.4	39.5	43.7	48.1	52.4	56.5						
6STW-320E	31.6	35.2	39.1	43.5	48.0	52.8	57.7	62.6	67.4						
6SUW-400E	37.4	42.4	47.5	52.8	58.3	63.9	69.7	75.7	81.8						

Star Connection (Y)

R407C (380V-3-60Hz) $t_c=40^\circ\text{C}(CT)$

Model	Evaporating temperature $^\circ\text{C}$														
	-45	-40	-35	-30	-25	-20	-15	-10	-5	0	5	7	10	12.5	15
6SHH-350E					37.3	41.0	44.3	47.4	50.2	52.6	54.8	55.6	56.7	57.6	58.3
6SJH-400E					41.9	46.4	50.5	54.2	57.5	60.4	63.0	63.9	65.2	66.1	67.0
6SKH-500E					57.1	61.1	65.1	69.0	72.7	76.1	79.0	80.0	81.3	82.2	83.0

Motor Current Data (A)

Part Winding Connection (PW)

R22 (460V-3-60Hz) $t_c = 40^\circ\text{C(CT)}$

Model	Evaporating temperature $^\circ\text{C}$														
	-45	-40	-35	-30	-25	-20	-15	-10	-5	0	5	7	10	12.5	15
6SHH-3500					32.0	34.6	37.1	39.5	41.6	43.5	45.1	45.6	46.2	46.5	
6SJH-4000					37.2	40.1	43.0	45.7	48.3	50.5	52.3	52.9	53.6	54.0	
6SKH-5000					47.5	50.7	53.8	56.7	59.4	61.7	63.6	64.3	65.1	65.6	
6SLW-2500	18.1	20.6	23.1	25.6	28.2	30.7	33.3	35.9	38.5						
6STW-3200	23.1	25.6	28.3	31.2	34.2	37.5	40.9	44.6	48.4						
6SUW-4000	27.3	29.7	32.6	35.9	39.6	43.5	47.4	51.4	55.1						

Part Winding Connection (PW)

R404A/507 (460V-3-60Hz) $t_c = 40^\circ\text{C(CT)}$

Model	Evaporating temperature $^\circ\text{C}$														
	-45	-40	-35	-30	-25	-20	-15	-10	-5	0	5	7	10	12.5	15
6SHH-350E				33.5	35.9	38.5	41.1	43.8	46.3	48.6	50.7	51.4			
6SJH-400E				35.3	38.7	42.2	45.9	49.6	53.1	56.2	59.0	60.0			
6SKH-500E				44.1	48.7	52.9	56.9	60.6	64.1	67.2	70.0	71.1			
6SLW-250E	20.1	22.4	25.1	28.1	31.3	34.7	38.2	41.6	44.9						
6STW-320E	25.1	27.9	31.1	34.5	38.1	41.9	45.8	49.7	53.5						
6SUW-400E	32.2	36.0	40.0	44.0	48.0	52.2	56.5	60.8	65.3						

Delta Connection

R22 (230V-3-60Hz) $t_c = 40^\circ\text{C(CT)}$

Model	Evaporating temperature $^\circ\text{C}$														
	-45	-40	-35	-30	-25	-20	-15	-10	-5	0	5	7	10	12.5	15
6SHH-3500					67.1	72.6	77.9	82.9	87.4	91.4	94.7	95.7	96.9	97.7	
6SJH-4000					78.2	84.2	90.3	96.1	101.4	106.1	109.8	111.1	112.5	113.4	
6SKH-5000					99.7	106.5	113.0	119.1	124.7	129.5	133.6	134.9	136.6	137.7	
6SLW-2500	38.0	43.2	48.5	53.8	59.1	64.5	69.9	75.3	80.8						
6STW-3200	48.5	53.7	59.4	65.5	71.9	78.7	86.0	93.6	101.6						
6SUW-4000	57.3	62.3	68.4	75.4	83.1	91.3	99.6	107.9	115.8						

Delta Connection

R404A/507 (230V-3-60Hz) $t_c = 40^\circ\text{C(CT)}$

Model	Evaporating temperature $^\circ\text{C}$														
	-45	-40	-35	-30	-25	-20	-15	-10	-5	0	5	7	10	12.5	15
6SHH-350E				70.3	75.4	80.8	86.4	91.9	97.2	102.1	106.4	108.0			
6SJH-400E				74.1	81.2	88.7	96.4	104.1	111.4	118.1	123.9	126.0			
6SKH-500E				92.7	102.2	111.2	119.6	127.3	134.5	141.1	147.1	149.3			
6SLW-250E	42.3	47.1	52.7	59.0	65.8	72.9	80.1	87.3	94.2						
6STW-320E	52.7	58.6	65.2	72.4	80.1	88.0	96.2	104.3	112.4						
6SUW-400E	67.7	75.7	83.9	92.3	100.9	109.6	118.6	127.8	137.1						

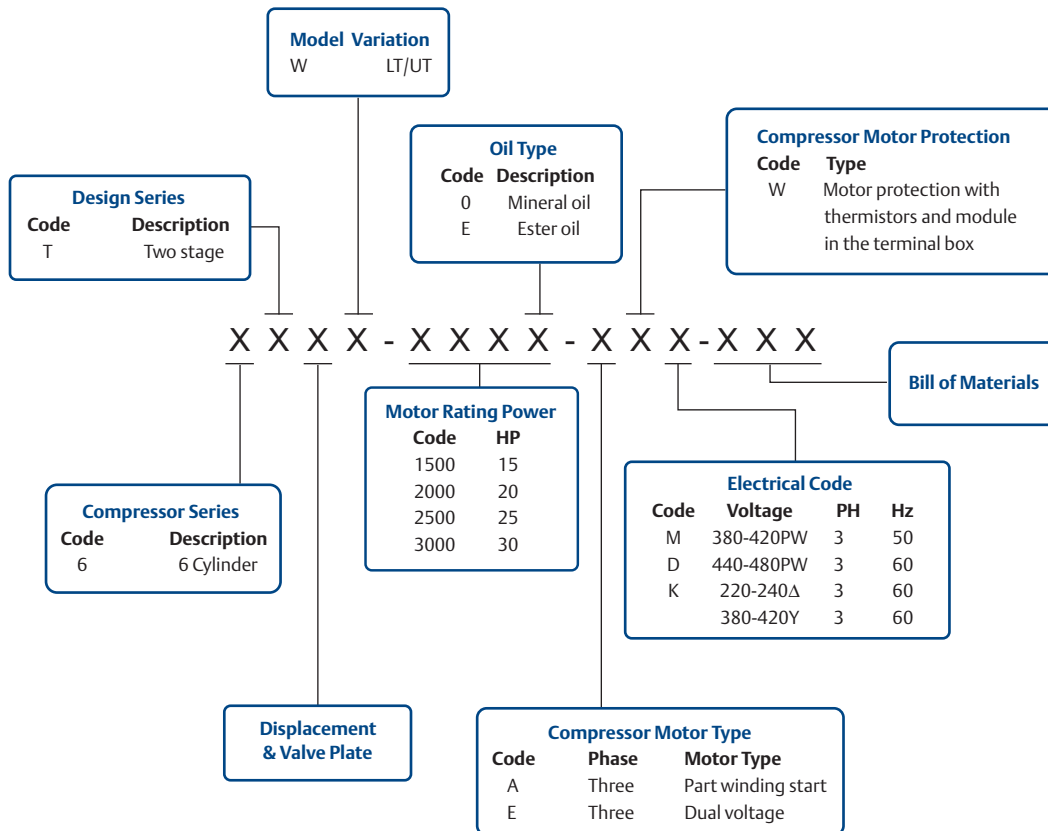
Delta Connection

R407C (230V-3-60Hz) $t_c = 40^\circ\text{C(CT)}$

Model	Evaporating temperature $^\circ\text{C}$														
	-45	-40	-35	-30	-25	-20	-15	-10	-5	0	5	7	10	12.5	15
6SHH-350E					62.2	68.3	73.9	79.0	83.6	87.7	91.4	92.7	94.5	96.0	97.2
6SJH-400E					69.9	77.3	84.1	90.3	95.8	100.7	105.0	106.5	108.6	110.2	111.6
6SKH-500E					95.1	101.8	108.5	115.1	121.2	126.8	131.6	133.3	135.5	137.1	138.3

6T Series

Model Nomenclature & Bill of Materials



Bill of Materials (BOM)

6T Series	000	030
Mounting Parts	√	√
Rotalock/Service valve	√	√
Crankcase heater	√	√
Electronic Oil Pressure Switch (OPS2)	√	√
Motor Protection Module	√	√
Subcooler Assembly	√	

Performance Data (with subcooler)

Q=Capacity (kW) P=Power input (kW)

50 Hz

Model	Condensing Temperature °C	Evaporating Temperature °C							
		-50	-45	-40	-35	-30	-25	-20	
6TAW-1500	Q	25	7.50	9.90	12.50	15.50	19.00	22.90	27.40
		30	7.20	9.60	12.30	15.30	18.80	22.70	27.10
		35	7.00	9.40	12.10	15.20	18.60	22.50	26.90
		40	6.80	9.30	12.00	15.00	18.40	22.20	26.60
		45	6.70	9.20	11.90	14.90	18.20	22.00	26.30
		50		9.10	11.80	14.80	18.10	21.80	26.00
		55		9.10	11.80	14.80	18.00	21.70	25.80
	P	25	5.60	6.50	7.30	8.20	9.10	9.90	10.70
		30	5.90	6.90	7.80	8.80	9.70	10.60	11.50
		35	6.20	7.20	8.30	9.30	10.30	11.30	12.30
		40	6.50	7.60	8.70	9.80	10.90	12.00	13.10
		45	6.80	8.00	9.20	10.40	11.60	12.80	13.90
		50		8.30	9.60	10.90	12.20	13.50	14.70
		55		8.50	9.90	11.30	12.70	14.10	15.50
6THW-2000	Q	25	9.40	12.30	15.60	19.40	23.70	28.70	34.30
		30	9.00	12.00	15.40	19.20	23.50	28.40	33.90
		35	8.70	11.80	15.20	18.90	23.20	28.10	33.60
		40	8.50	11.60	15.00	18.80	23.00	27.80	33.20
		45	8.30	11.40	14.80	18.60	22.80	27.50	32.80
		50		11.40	14.80	18.50	22.60	27.30	32.50
		55		11.40	14.70	18.40	22.50	27.10	32.20
	P	25	7.10	8.20	9.30	10.40	11.50	12.50	13.60
		30	7.50	8.70	9.90	11.10	12.30	13.40	14.60
		35	7.90	9.20	10.50	11.80	13.10	14.30	15.60
		40	8.20	9.60	11.00	12.50	13.90	15.20	16.60
		45	8.60	10.10	11.60	13.10	14.60	16.10	17.60
		50		10.50	12.10	13.70	15.40	17.00	18.60
		55		10.80	12.60	14.30	16.10	17.90	19.60
6TJW-2500	Q	25	10.90	14.30	18.10	22.50	27.50	33.20	39.80
		30	10.50	14.00	17.80	22.20	27.20	32.90	39.40
		35	10.10	13.70	17.60	22.00	26.90	32.60	38.90
		40	9.90	13.40	17.40	21.80	26.70	32.20	38.50
		45	9.70	13.30	17.20	21.60	26.40	31.90	38.10
		50		13.20	17.10	21.50	26.30	31.60	37.70
		55		13.20	17.10	21.40	26.10	31.40	37.40
	P	25	8.00	9.30	10.50	11.80	13.00	14.20	15.40
		30	8.50	9.90	11.20	12.60	13.90	15.30	16.60
		35	9.00	10.40	11.90	13.40	14.80	16.30	17.70
		40	9.40	11.00	12.60	14.20	15.70	17.30	18.90
		45	9.70	11.40	13.20	14.90	16.60	18.30	20.00
		50		11.90	13.80	15.60	17.50	19.40	21.20
		55		12.30	14.30	16.30	18.30	20.30	22.30
6TKW-3000	Q	25	13.50	17.70	22.50	28.00	34.20	41.30	49.40
		30	13.00	17.30	22.10	27.60	33.80	40.80	48.90
		35	12.60	17.00	21.80	27.30	33.40	40.40	48.30
		40	12.20	16.70	21.60	27.00	33.10	40.00	47.80
		45	12.00	16.50	21.40	26.80	32.80	39.60	47.30
		50		16.40	21.30	26.60	32.60	39.30	46.80
		55		16.40	21.20	26.50	32.40	39.00	46.40
	P	25	10.10	11.70	13.30	14.90	16.40	18.00	19.50
		30	10.70	12.50	14.20	15.90	17.60	19.30	20.90
		35	11.30	13.20	15.00	16.90	18.70	20.60	22.40
		40	11.80	13.80	15.90	17.90	19.90	21.90	23.80
		45	12.30	14.50	16.60	18.80	21.00	23.20	25.30
		50		15.00	17.40	19.70	22.10	24.40	26.80
		55		15.50	18.00	20.60	23.10	25.70	28.20

Notes:

Suction Gas Temperature 20°C
 Liquid subcooling 8.3K

Performance Data (without subcooler)

Q=Capacity (kW) P=Power input (kW)

50 Hz

Model	Condensing Temperature °C	Evaporating Temperature °C							
		-50	-45	-40	-35	-30	-25	-20	
6TAW-1500	Q	25	6.50	8.50	11.00	14.10	17.70	21.90	26.90
		30	6.20	8.10	10.60	13.40	16.90	21.00	25.80
		35	5.90	7.70	10.10	12.80	16.10	20.00	24.60
		40	5.60	7.40	9.60	12.20	15.40	19.10	23.50
		45	5.30	7.00	9.10	11.60	14.60	18.20	22.30
		50		6.70	8.60	11.00	13.90	17.30	21.20
		55		6.30	8.20	10.50	13.20	16.30	20.00
	P	25	6.00	6.60	7.30	8.00	8.60	9.30	9.90
		30	6.20	6.90	7.70	8.40	9.20	9.90	10.70
		35	6.40	7.20	8.00	8.90	9.70	10.60	11.50
		40	6.70	7.50	8.40	9.30	10.30	11.30	12.30
		45	6.90	7.80	8.70	9.80	10.80	11.90	13.10
		50		8.10	9.10	10.30	11.40	12.60	13.90
		55		8.50	9.50	10.70	12.00	13.30	14.70
6THW-2000	Q	25	8.20	10.80	14.00	17.90	22.40	27.90	34.30
		30	7.80	10.30	13.40	17.10	21.50	26.70	32.80
		35	7.40	9.80	12.80	16.30	20.50	25.50	31.40
		40	7.00	9.30	12.10	15.50	19.50	24.30	29.90
		45	6.60	8.80	11.50	14.70	18.60	23.10	28.40
		50		8.40	10.90	14.00	17.60	21.90	26.90
		55		7.90	10.40	13.20	16.70	20.70	25.50
	P	25	7.40	8.30	9.30	10.40	11.50	12.60	13.60
		30	7.60	8.70	9.80	10.90	12.10	13.40	14.60
		35	7.90	9.00	10.20	11.50	12.80	14.20	15.50
		40	8.20	9.30	10.60	12.00	13.40	14.90	16.50
		45	8.40	9.70	11.10	12.50	14.10	15.70	17.40
		50		10.10	11.50	13.10	14.70	16.50	18.40
		55		10.50	12.00	13.60	15.40	17.30	19.30
6TJW-2500	Q	25	8.90	12.00	15.70	20.20	25.50	31.90	39.40
		30	8.40	11.30	14.90	19.30	24.40	30.50	37.80
		35	7.90	10.70	14.20	18.30	23.30	29.20	36.10
		40	7.40	10.10	13.40	17.40	22.20	27.80	34.40
		45	6.90	9.50	12.70	16.50	21.00	26.40	32.80
		50		9.00	12.00	15.60	19.90	25.00	31.10
		55		8.40	11.30	14.70	18.90	23.70	29.40
	P	25	7.90	9.20	10.60	12.00	13.40	15.00	16.50
		30	8.20	9.50	11.00	12.50	14.20	15.80	17.50
		35	8.40	9.90	11.50	13.10	14.90	16.70	18.60
		40	8.70	10.20	11.90	13.70	15.60	17.60	19.60
		45	8.90	10.60	12.30	14.20	16.30	18.40	20.60
		50		10.90	12.80	14.80	17.00	19.30	21.70
		55		11.30	13.30	15.40	17.70	20.10	22.70
6TKW-3000	Q	25	10.50	14.30	18.60	23.80	29.80	36.90	45.30
		30	9.90	13.60	17.80	22.80	28.70	35.50	43.60
		35	9.30	12.90	17.10	21.90	27.50	34.10	41.90
		40	8.70	12.30	16.30	21.00	26.40	32.70	40.10
		45	8.20	11.70	15.60	20.10	25.30	31.30	38.40
		50		11.10	14.90	19.20	24.10	29.90	36.60
		55		10.50	14.20	18.30	23.00	28.40	34.80
	P	25	9.10	10.70	12.20	13.60	14.80	15.80	16.60
		30	9.50	11.30	13.00	14.60	16.00	17.20	18.20
		35	9.80	11.90	13.80	15.60	17.20	18.60	19.80
		40	10.10	12.40	14.50	16.50	18.30	19.90	21.30
		45	10.40	12.90	15.30	17.50	19.40	21.20	22.70
		50		13.50	16.10	18.50	20.60	22.60	24.30
		55		14.30	17.00	19.60	21.90	24.00	25.90

Notes:

Suction Gas Temperature 20°C
 Liquid subcooling 0K

Performance Data (with subcooler)

Q=Capacity (kW) P=Power input (kW)

50 Hz

Model	Condensing Temperature °C	Evaporating Temperature °C									
		-60	-55	-50	-45	-40	-35	-30	-25	-20	
6TAW-150E	Q	30	6.40	8.30	10.50	13.10	16.10	19.40	23.30	27.60	32.40
		35	6.20	8.00	10.20	12.80	15.70	19.00	22.80	27.00	31.70
		40	5.90	7.80	9.90	12.40	15.30	18.60	22.30	26.40	31.00
		45	5.80	7.60	9.70	12.10	14.90	18.10	21.80	25.80	30.30
		50	5.60	7.40	9.50	11.90	14.60	17.70	21.20	25.20	29.60
	55	5.60	7.30	9.30	11.60	14.30	17.30	20.80	24.60		
	P	30	5.70	6.70	7.60	8.50	9.40	10.40	11.50	12.80	14.10
		35	6.10	7.00	8.00	9.00	10.00	11.00	12.20	13.50	15.00
		40	6.40	7.40	8.40	9.50	10.50	11.70	12.90	14.30	15.80
		45	6.70	7.80	8.90	10.00	11.10	12.30	13.70	15.10	16.70
50		7.00	8.20	9.30	10.50	11.70	13.00	14.40	15.90	17.70	
55	7.30	8.50	9.70	11.00	12.30	13.60	15.10	16.80			
6THW-200E	Q	30	7.90	10.30	13.00	16.20	19.90	24.10	28.80	34.10	40.10
		35	7.60	10.00	12.70	15.80	19.40	23.50	28.20	33.40	39.30
		40	7.40	9.60	12.30	15.40	19.00	23.00	27.60	32.70	38.40
		45	7.10	9.40	12.00	15.00	18.50	22.50	26.90	31.90	37.50
		50	7.00	9.20	11.70	14.70	18.10	21.90	26.30	31.20	36.70
	55	6.90	9.00	11.50	14.40	17.70	21.50	25.70	30.50		
	P	30	7.50	8.70	9.90	11.10	12.30	13.60	15.10	16.70	18.50
		35	7.90	9.20	10.40	11.70	13.00	14.40	16.00	17.70	19.60
		40	8.40	9.70	11.00	12.30	13.80	15.30	16.90	18.70	20.70
		45	8.80	10.20	11.60	13.00	14.50	16.10	17.80	19.70	21.90
50		9.20	10.70	12.10	13.70	15.20	16.90	18.80	20.80	23.10	
55	9.60	11.10	12.70	14.30	16.00	17.80	19.80	21.90			
6TJW-250E	Q	30	9.30	12.10	15.30	19.00	23.40	28.30	33.80	40.10	47.00
		35	9.00	11.70	14.90	18.60	22.80	27.60	33.10	39.20	46.10
		40	8.60	11.30	14.50	18.10	22.30	27.00	32.40	38.40	45.10
		45	8.40	11.00	14.10	17.60	21.70	26.40	31.60	37.50	44.10
		50	8.20	10.80	13.80	17.20	21.20	25.80	30.90	36.60	43.00
	55	8.10	10.60	13.50	16.90	20.80	25.20	30.20	35.80		
	P	30	8.50	9.90	11.30	12.60	14.00	15.50	17.20	19.00	21.10
		35	9.00	10.50	11.90	13.30	14.90	16.50	18.20	20.20	22.30
		40	9.50	11.00	12.60	14.10	15.70	17.40	19.30	21.30	23.60
		45	10.00	11.60	13.20	14.80	16.50	18.40	20.30	22.50	24.90
50		10.50	12.20	13.90	15.60	17.40	19.30	21.40	23.80	26.30	
55	10.90	12.70	14.50	16.30	18.30	20.30	22.60	25.00			
6TKW-300E	Q	30	11.10	14.40	18.20	22.60	27.80	33.60	40.20	47.60	55.90
		35	10.70	13.90	17.70	22.10	27.10	32.90	39.40	46.70	54.80
		40	10.30	13.50	17.20	21.50	26.50	32.10	38.50	45.60	53.60
		45	9.90	13.10	16.70	21.00	25.80	31.40	37.60	44.60	52.40
		50	9.70	12.80	16.40	20.50	25.20	30.60	36.70	43.50	51.20
	55	9.60	12.60	16.10	20.10	24.70	30.00	35.90	42.50		
	P	30	10.30	12.00	13.60	15.20	16.90	18.80	20.80	23.00	25.40
		35	10.90	12.60	14.40	16.10	17.90	19.90	22.00	24.30	26.90
		40	11.50	13.30	15.10	17.00	18.90	21.00	23.30	25.70	28.50
		45	12.10	14.00	15.90	17.90	20.00	22.20	24.60	27.20	30.10
50		12.70	14.70	16.70	18.80	21.00	23.30	25.90	28.70	31.70	
55	13.20	15.30	17.50	19.70	22.00	24.50	27.20	30.20			

Notes:

Suction Gas Temperature 20°C

Liquid subcooling 8.3K

Performance Data (without subcooler)

50 Hz

Q=Capacity (kW) P=Power input (kW)

Model	Condensing Temperature °C	Evaporating Temperature °C									
		-60	-55	-50	-45	-40	-35	-30	-25	-20	
6TAW-150E	Q	30	3.30	4.60	6.30	8.40	11.00	14.00	17.60	21.80	26.60
		35	3.00	4.30	5.90	7.80	10.30	13.10	16.50	20.40	24.90
		40	2.80	4.00	5.50	7.30	9.50	12.20	15.40	19.10	23.30
		45	2.60	3.70	5.10	6.80	8.80	11.30	14.30	17.70	21.50
		50	2.40	3.40	4.60	6.20	8.10	10.40	13.00	16.20	19.70
	55	2.10	3.00	4.20	5.50	7.20	9.30	11.70	14.50	17.80	
	P	30	5.30	6.10	7.00	7.90	8.80	9.70	10.70	11.60	12.60
		35	5.40	6.30	7.20	8.10	9.10	10.20	11.20	12.20	13.30
		40	5.60	6.50	7.40	8.40	9.50	10.60	11.70	12.80	14.00
		45	5.80	6.70	7.70	8.70	9.80	11.00	12.20	13.50	14.70
50		6.00	6.90	8.00	9.10	10.30	11.50	12.80	14.10	15.50	
55	6.20	7.20	8.20	9.40	10.60	11.90	13.30	14.70	16.20		
6THW-200E	Q	30	4.30	5.80	7.90	10.40	13.50	17.20	21.40	26.30	31.90
		35	4.00	5.40	7.30	9.70	12.60	16.00	20.00	24.50	29.70
		40	3.70	5.10	6.90	9.00	11.70	14.90	18.60	22.80	27.60
		45	3.40	4.70	6.40	8.40	10.90	13.80	17.20	21.00	25.40
		50	3.10	4.30	5.90	7.70	10.00	12.60	15.70	19.30	23.30
	55	2.80	3.90	5.30	7.00	9.00	11.50	14.30	17.50	21.20	
	P	30	6.40	7.60	8.70	10.00	11.20	12.50	13.70	14.90	16.00
		35	6.80	8.00	9.20	10.50	11.90	13.20	14.60	15.90	17.20
		40	6.90	8.20	9.50	10.90	12.30	13.80	15.20	16.70	18.20
		45	7.00	8.30	9.70	11.10	12.70	14.20	15.90	17.50	19.10
50		7.20	8.50	9.90	11.50	13.10	14.80	16.50	18.30	20.10	
55	7.50	8.80	10.30	12.00	13.70	15.50	17.40	19.30	21.30		
6TJW-2500	Q	30	5.20	6.90	9.20	12.20	15.80	20.10	25.00	30.60	36.80
		35	4.80	6.40	8.60	11.40	14.80	18.80	23.40	28.70	34.50
		40	4.50	6.00	8.00	10.70	13.80	17.60	21.90	26.80	32.20
		45	4.10	5.50	7.40	9.90	12.80	16.30	20.30	24.90	30.00
		50	3.80	5.10	6.80	9.10	11.90	15.10	18.90	23.10	27.80
	55	3.40	4.60	6.30	8.40	10.90	13.90	17.40	21.20	25.50	
	P	30	7.50	8.50	9.70	11.10	12.60	14.20	15.90	17.70	19.50
		35	7.70	8.80	10.00	11.50	13.10	14.90	16.70	18.70	20.60
		40	8.00	9.00	10.30	11.90	13.60	15.50	17.50	19.60	21.80
		45	8.20	9.30	10.70	12.30	14.10	16.10	18.30	20.60	23.00
50		8.40	9.50	11.00	12.60	14.60	16.70	19.00	21.50	24.10	
55	8.70	9.80	11.30	13.00	15.00	17.30	19.80	22.40	25.20		
6TKW-300E	Q	30	7.30	9.90	13.10	16.90	21.50	26.80	33.00	40.20	48.40
		35	6.80	9.30	12.30	15.90	20.20	25.20	31.10	37.90	45.70
		40	6.30	8.70	11.50	14.80	18.90	23.60	29.10	35.60	42.90
		45	5.90	8.10	10.60	13.80	17.50	21.90	27.10	33.10	40.10
		50	5.60	7.50	9.80	12.70	16.10	20.20	25.00	30.60	37.10
	55	5.20	6.90	9.00	11.60	14.70	18.40	22.80	28.00	34.10	
	P	30	9.00	10.10	11.60	13.30	15.30	17.50	19.90	22.50	25.30
		35	9.30	10.60	12.10	14.00	16.00	18.30	20.80	23.50	26.30
		40	9.60	11.00	12.70	14.60	16.80	19.20	21.70	24.40	27.20
		45	9.90	11.50	13.30	15.30	17.60	20.00	22.60	25.30	28.10
50		10.20	11.90	13.90	16.10	18.40	20.90	23.50	26.30	29.10	
55	10.60	12.50	14.50	16.80	19.20	21.80	24.50	27.20	30.00		

Notes:

Suction Gas Temperature 20°C

Liquid subcooling 0K

Performance Data (with subcooler)

Q=Capacity (kW) P=Power input (kW)

60 Hz

Model	Condensing Temperature °C	Evaporating Temperature °C							
		-50	-45	-40	-35	-30	-25	-20	
6TAW-1500	Q	25	8.80	11.60	14.70	18.30	22.40	27.00	32.30
		30	8.50	11.30	14.50	18.10	22.10	26.70	32.00
		35	8.20	11.10	14.30	17.90	21.90	26.50	31.60
		40	8.00	10.90	14.10	17.70	21.70	26.20	31.30
		45	7.90	10.80	14.00	17.50	21.50	25.90	31.00
		50		10.70	13.90	17.40	21.30	25.70	30.70
		55		10.70	13.90	17.40	21.20	25.50	30.40
	P	25	6.70	7.70	8.80	9.80	10.80	11.90	12.80
		30	7.10	8.20	9.40	10.50	11.60	12.70	13.80
		35	7.50	8.70	9.90	11.10	12.40	13.60	14.80
		40	7.80	9.10	10.50	11.80	13.10	14.40	15.70
		45	8.10	9.50	11.00	12.40	13.90	15.30	16.70
		50		9.90	11.50	13.00	14.60	16.10	17.70
		55		10.20	11.90	13.60	15.30	16.90	18.60
6THW-2000	Q	25	11.10	14.60	18.50	23.00	28.10	33.90	40.60
		30	10.70	14.20	18.20	22.70	27.80	33.60	40.20
		35	10.30	13.90	17.90	22.40	27.50	33.20	39.70
		40	10.10	13.70	17.70	22.20	27.20	32.90	39.30
		45	9.90	13.60	17.60	22.00	27.00	32.60	38.90
		50		13.50	17.50	21.90	26.80	32.30	38.50
		55		13.40	17.40	21.80	26.70	32.10	38.10
	P	25	8.50	9.80	11.10	12.40	13.70	15.00	16.30
		30	9.00	10.40	11.80	13.30	14.70	16.10	17.50
		35	9.50	11.00	12.60	14.10	15.70	17.20	18.70
		40	9.90	11.60	13.20	14.90	16.60	18.30	19.90
		45	10.30	12.10	13.90	15.70	17.50	19.40	21.20
		50		12.50	14.50	16.50	18.50	20.40	22.40
		55		12.90	15.10	17.20	19.30	21.40	23.60
6TJW-2500	Q	25	12.80	16.90	21.40	26.60	32.50	39.20	47.00
		30	12.40	16.50	21.10	26.20	32.10	38.80	46.50
		35	12.00	16.10	20.80	25.90	31.80	38.40	46.00
		40	11.60	15.90	20.50	25.70	31.50	38.00	45.50
		45	11.40	15.70	20.30	25.50	31.20	37.70	45.00
		50		15.60	20.20	25.30	31.00	37.40	44.50
		55		15.60	20.20	25.20	30.80	37.10	44.10
	P	25	9.60	11.20	12.70	14.20	15.60	17.10	18.50
		30	10.20	11.90	13.50	15.10	16.70	18.30	19.90
		35	10.80	12.50	14.30	16.10	17.80	19.60	21.30
		40	11.30	13.20	15.10	17.00	18.90	20.80	22.70
		45	11.70	13.80	15.80	17.90	20.00	22.00	24.10
		50		14.30	16.50	18.80	21.00	23.20	25.50
		55		14.70	17.20	19.60	22.00	24.40	26.80
6TKW-3000	Q	25	15.40	20.20	25.70	31.90	39.00	47.10	56.40
		30	14.80	19.80	25.30	31.50	38.60	46.60	55.80
		35	14.40	19.40	24.90	31.20	38.20	46.10	55.20
		40	14.00	19.10	24.60	30.80	37.80	45.70	54.60
		45	13.70	18.80	24.40	30.60	37.50	45.30	54.00
		50		18.70	24.30	30.40	37.20	44.90	53.50
		55		18.70	24.20	30.30	37.00	44.50	53.00
	P	25	11.80	13.70	15.50	17.30	19.20	20.90	22.70
		30	12.50	14.50	16.50	18.50	20.50	22.40	24.40
		35	13.20	15.30	17.50	19.70	21.80	24.00	26.10
		40	13.80	16.10	18.50	20.80	23.20	25.50	27.80
		45	14.30	16.80	19.40	21.90	24.50	27.00	29.50
		50		17.50	20.20	23.00	25.70	28.50	31.20
		55		18.00	21.00	24.00	26.90	29.90	32.80

Notes:

Suction Gas Temperature 20°C
 Liquid subcooling 8.3K

Performance Data (without subcooler)

Q=Capacity (kW) P=Power input (kW)

60 Hz

Model	Condensing Temperature °C	Evaporating Temperature °C							
		-50	-45	-40	-35	-30	-25	-20	
6TAW-1500	Q	25	7.60	10.10	13.00	16.60	20.80	25.80	31.80
		30	7.30	9.60	12.50	15.90	19.90	24.70	30.40
		35	6.90	9.10	11.90	15.10	19.00	23.60	29.10
		40	6.60	8.70	11.30	14.40	18.20	22.50	27.70
		45	6.30	8.30	10.80	13.70	17.30	21.40	26.40
		50		7.90	10.20	13.00	16.40	20.30	25.00
		55		7.50	9.70	12.40	15.50	19.30	23.60
	P	25	7.20	8.00	8.80	9.60	10.40	11.20	11.90
		30	7.50	8.30	9.20	10.10	11.00	12.00	12.80
		35	7.70	8.60	9.60	10.70	11.70	12.70	13.80
		40	8.00	9.00	10.10	11.20	12.30	13.50	14.70
		45	8.30	9.40	10.50	11.70	13.00	14.30	15.70
		50		9.70	11.00	12.30	13.70	15.10	16.60
		55		10.20	11.50	12.90	14.40	15.90	17.60
6THW-2000	Q	25	9.70	12.80	16.50	21.00	26.50	32.90	40.50
		30	9.20	12.20	15.80	20.10	25.30	31.50	38.80
		35	8.70	11.60	15.00	19.20	24.20	30.10	37.00
		40	8.30	11.00	14.30	18.30	23.00	28.70	35.30
		45	7.80	10.50	13.60	17.40	21.90	27.20	33.50
		50		9.90	12.90	16.50	20.70	25.80	31.80
		55		9.40	12.20	15.60	19.60	24.40	30.00
	P	25	8.90	10.00	11.20	12.50	13.80	15.10	16.40
		30	9.20	10.40	11.70	13.10	14.60	16.00	17.50
		35	9.50	10.80	12.30	13.80	15.30	17.00	18.60
		40	9.80	11.20	12.80	14.40	16.10	17.90	19.80
		45	10.20	11.70	13.30	15.00	16.90	18.90	20.90
		50		12.10	13.80	15.70	17.70	19.80	22.00
		55		12.60	14.40	16.30	18.50	20.70	23.10
6TJW-2500	Q	25	10.50	14.10	18.50	23.80	30.10	37.70	46.50
		30	9.90	13.40	17.60	22.70	28.80	36.00	44.60
		35	9.30	12.70	16.70	21.60	27.50	34.40	42.60
		40	8.70	12.00	15.80	20.50	26.10	32.80	40.60
		45	8.20	11.30	15.00	19.50	24.80	31.20	38.60
		50		10.60	14.10	18.40	23.50	29.60	36.70
		55		9.90	13.30	17.40	22.20	28.00	34.70
	P	25	9.50	11.10	12.70	14.40	16.10	17.90	19.80
		30	9.80	11.50	13.20	15.10	17.00	19.00	21.00
		35	10.20	11.90	13.70	15.70	17.80	20.00	22.30
		40	10.50	12.30	14.30	16.40	18.70	21.00	23.50
		45	10.80	12.70	14.80	17.10	19.50	22.10	24.80
		50		13.10	15.40	17.80	20.30	23.10	26.00
		55		13.60	15.90	18.50	21.20	24.10	27.30
6TKW-3000	Q	25	10.50	14.30	18.60	23.80	29.80	36.90	45.30
		30	9.90	13.60	17.80	22.80	28.70	35.50	43.60
		35	9.30	12.90	17.10	21.90	27.50	34.10	41.90
		40	8.70	12.30	16.30	21.00	26.40	32.70	40.10
		45	8.20	11.70	15.60	20.10	25.30	31.30	38.40
		50		11.10	14.90	19.20	24.10	29.90	36.60
		55		10.50	14.20	18.30	23.00	28.40	34.80
	P	25	9.10	10.70	12.20	13.60	14.80	15.80	16.60
		30	9.50	11.30	13.00	14.60	16.00	17.20	18.20
		35	9.80	11.90	13.80	15.60	17.20	18.60	19.80
		40	10.10	12.40	14.50	16.50	18.30	19.90	21.30
		45	10.40	12.90	15.30	17.50	19.40	21.20	22.70
		50		13.50	16.10	18.50	20.60	22.60	24.30
		55		14.30	17.00	19.60	21.90	24.00	25.90

Notes:

Suction Gas Temperature 20°C
 Liquid subcooling 0K

Performance Data (with subcooler)

Q=Capacity (kW) P=Power input (kW)

60 Hz

Model	Condensing Temperature °C	Evaporating Temperature °C									
		-60	-55	-50	-45	-40	-35	-30	-25	-20	
6TAW-150E	Q	30	7.60	9.80	12.40	15.50	19.00	23.00	27.50	32.60	38.20
		35	7.30	9.50	12.10	15.10	18.50	22.50	26.90	31.90	37.50
		40	7.00	9.20	11.70	14.70	18.10	21.90	26.30	31.20	36.60
		45	6.80	8.90	11.40	14.30	17.70	21.40	25.70	30.50	35.80
		50	6.60	8.70	11.20	14.00	17.30	20.90	25.10	29.80	35.00
	55	6.60	8.60	11.00	13.70	16.90	20.50	24.50	29.10		
	P	30	6.90	8.00	9.00	10.10	11.30	12.50	13.80	15.30	16.90
		35	7.30	8.40	9.60	10.70	11.90	13.20	14.60	16.20	17.90
		40	7.70	8.90	10.10	11.30	12.60	14.00	15.50	17.10	19.00
		45	8.10	9.30	10.60	11.90	13.30	14.80	16.30	18.10	20.00
50		8.40	9.80	11.10	12.50	14.00	15.50	17.20	19.10	21.10	
55	8.80	10.20	11.60	13.10	14.70	16.30	18.10	20.10			
6THW-200E	Q	30	9.40	12.10	15.40	19.10	23.40	28.40	33.90	40.20	47.20
		35	9.00	11.70	14.90	18.60	22.90	27.70	33.20	39.40	46.30
		40	8.70	11.40	14.50	18.20	22.30	27.10	32.50	38.50	45.30
		45	8.40	11.00	14.10	17.70	21.80	26.50	31.70	37.60	44.20
		50	8.20	10.80	13.80	17.30	21.30	25.80	31.00	36.80	43.20
	55	8.10	10.60	13.60	17.00	20.90	25.30	30.30	35.90		
	P	30	9.00	10.40	11.80	13.30	14.70	16.30	18.10	20.00	22.10
		35	9.50	11.00	12.50	14.00	15.60	17.30	19.10	21.20	23.40
		40	10.00	11.60	13.20	14.80	16.50	18.30	20.20	22.40	24.80
		45	10.50	12.20	13.90	15.60	17.40	19.30	21.40	23.70	26.20
50		11.00	12.80	14.60	16.40	18.30	20.30	22.50	25.00	27.60	
55	11.50	13.40	15.20	17.20	19.20	21.30	23.70	26.30			
6TJW-250E	Q	30	11.00	14.30	18.10	22.50	27.60	33.40	40.00	47.40	55.60
		35	10.60	13.80	17.60	22.00	27.00	32.70	39.20	46.40	54.50
		40	10.20	13.40	17.10	21.40	26.30	31.90	38.30	45.40	53.40
		45	9.90	13.00	16.70	20.90	25.70	31.20	37.40	44.40	52.10
		50	9.70	12.70	16.30	20.40	25.10	30.50	36.50	43.30	50.90
	55	9.60	12.50	16.00	20.00	24.60	29.80	35.70	42.30		
	P	30	10.20	11.90	13.50	15.10	16.80	18.60	20.60	22.80	25.20
		35	10.80	12.60	14.30	16.00	17.80	19.70	21.80	24.10	26.70
		40	11.40	13.20	15.00	16.90	18.80	20.80	23.10	25.50	28.30
		45	12.00	13.90	15.80	17.80	19.80	22.00	24.40	27.00	29.90
50		12.60	14.60	16.60	18.70	20.80	23.20	25.70	28.40	31.50	
55	13.10	15.20	17.40	19.60	21.90	24.30	27.00	29.90			
6TKW-300E	Q	30	12.80	16.50	21.00	26.10	32.00	38.70	46.30	54.90	64.40
		35	12.30	16.00	20.40	25.40	31.30	37.90	45.40	53.80	63.20
		40	11.80	15.50	19.80	24.80	30.50	37.00	44.30	52.60	61.80
		45	11.40	15.10	19.30	24.20	29.80	36.10	43.30	51.40	60.40
		50	11.20	14.70	18.90	23.60	29.10	35.30	42.30	50.20	59.00
	55	11.10	14.50	18.50	23.20	28.50	34.50	41.30	49.00		
	P	30	11.90	13.80	15.70	17.60	19.60	21.70	24.00	26.60	29.40
		35	12.60	14.60	16.60	18.60	20.70	23.00	25.40	28.10	31.20
		40	13.30	15.40	17.50	19.70	21.90	24.30	26.90	29.80	33.00
		45	14.00	16.20	18.40	20.70	23.10	25.60	28.40	31.50	34.80
50		14.70	17.00	19.30	21.80	24.30	27.00	29.90	33.20	36.70	
55	15.30	17.70	20.20	22.80	25.50	28.40	31.50	34.90			

Notes:

Suction Gas Temperature 20°C

Liquid subcooling 8.3K

Performance Data (without subcooler)

Q=Capacity (kW) P=Power input (kW)

60 Hz

Model	Condensing Temperature °C	Evaporating Temperature °C									
		-60	-55	-50	-45	-40	-35	-30	-25	-20	
6TAW-150E	Q	30	3.90	5.40	7.40	9.90	12.90	16.50	20.80	25.70	31.40
		35	3.60	5.00	6.90	9.20	12.10	15.50	19.50	24.10	29.40
		40	3.30	4.70	6.40	8.60	11.30	14.40	18.20	22.50	27.50
		45	3.10	4.40	6.00	8.00	10.40	13.40	16.80	20.80	25.40
		50	2.80	4.00	5.50	7.30	9.50	12.20	15.40	19.10	23.30
	55	2.50	3.60	4.90	6.50	8.50	11.00	13.80	17.20	21.00	
	P	30	6.30	7.30	8.40	9.50	10.60	11.70	12.80	14.00	15.10
		35	6.50	7.50	8.60	9.80	11.00	12.20	13.40	14.70	15.90
		40	6.70	7.80	8.90	10.10	11.40	12.70	14.00	15.40	16.80
		45	6.90	8.00	9.20	10.50	11.80	13.20	14.70	16.20	17.70
50		7.20	8.30	9.50	10.90	12.30	13.80	15.30	16.90	18.60	
6THW-200E	Q	30	5.00	6.90	9.30	12.30	15.90	20.20	25.30	31.10	37.60
		35	4.70	6.40	8.70	11.50	14.90	18.90	23.50	28.90	35.00
		40	4.40	6.00	8.10	10.70	13.80	17.60	21.90	26.90	32.50
		45	4.10	5.60	7.50	9.90	12.80	16.20	20.20	24.80	30.00
		50	3.70	5.10	6.90	9.10	11.80	14.90	18.60	22.80	27.50
	55	3.30	4.60	6.20	8.20	10.70	13.50	16.90	20.70	25.00	
	P	30	7.70	9.10	10.50	12.00	13.50	14.90	16.40	17.90	19.20
		35	8.10	9.60	11.10	12.60	14.20	15.80	17.50	19.10	20.60
		40	8.30	9.80	11.40	13.00	14.80	16.50	18.30	20.10	21.80
		45	8.40	10.00	11.60	13.40	15.20	17.10	19.00	21.00	22.90
50		8.60	10.20	11.90	13.70	15.70	17.70	19.80	21.90	24.10	
6TJW-250E	Q	30	6.10	8.10	10.90	14.40	18.70	23.70	29.50	36.10	43.50
		35	5.70	7.60	10.20	13.50	17.50	22.20	27.60	33.80	40.70
		40	5.30	7.10	9.50	12.60	16.30	20.70	25.80	31.60	38.00
		45	4.90	6.50	8.80	11.70	15.20	19.30	24.00	29.40	35.40
		50	4.40	6.00	8.10	10.80	14.00	17.80	22.20	27.20	32.70
	55	4.00	5.40	7.40	9.90	12.90	16.40	20.50	25.10	30.10	
	P	30	9.00	10.20	11.60	13.30	15.10	17.10	19.10	21.20	23.40
		35	9.30	10.50	12.00	13.80	15.70	17.80	20.00	22.40	24.80
		40	9.60	10.90	12.40	14.20	16.30	18.60	21.00	23.50	26.20
		45	9.90	11.20	12.80	14.70	16.90	19.30	21.90	24.70	27.60
50		10.20	11.50	13.20	15.20	17.50	20.00	22.80	25.80	28.90	
6TKW-300E	Q	30	8.30	11.30	15.00	19.30	24.50	30.60	37.70	45.90	55.20
		35	7.80	10.60	14.00	18.20	23.10	28.80	35.50	43.30	52.20
		40	7.20	9.90	13.10	17.00	21.50	27.00	33.30	40.60	49.00
		45	6.80	9.20	12.20	15.70	20.00	25.00	30.90	37.80	45.70
		50	6.30	8.50	11.20	14.50	18.40	23.10	28.50	34.90	42.40
	55	6.00	7.90	10.30	13.30	16.80	21.00	26.10	32.00	38.90	
	P	30	10.50	11.80	13.50	15.50	17.80	20.40	23.20	26.20	29.50
		35	10.80	12.30	14.10	16.20	18.70	21.30	24.20	27.30	30.60
		40	11.20	12.80	14.80	17.00	19.60	22.30	25.30	28.40	31.60
		45	11.50	13.30	15.50	17.90	20.50	23.30	26.30	29.50	32.70
50		11.90	13.90	16.20	18.70	21.40	24.30	27.40	30.60	33.80	
55	12.30	14.50	16.90	19.60	22.40	25.40	28.50	31.70	35.00		

Notes:

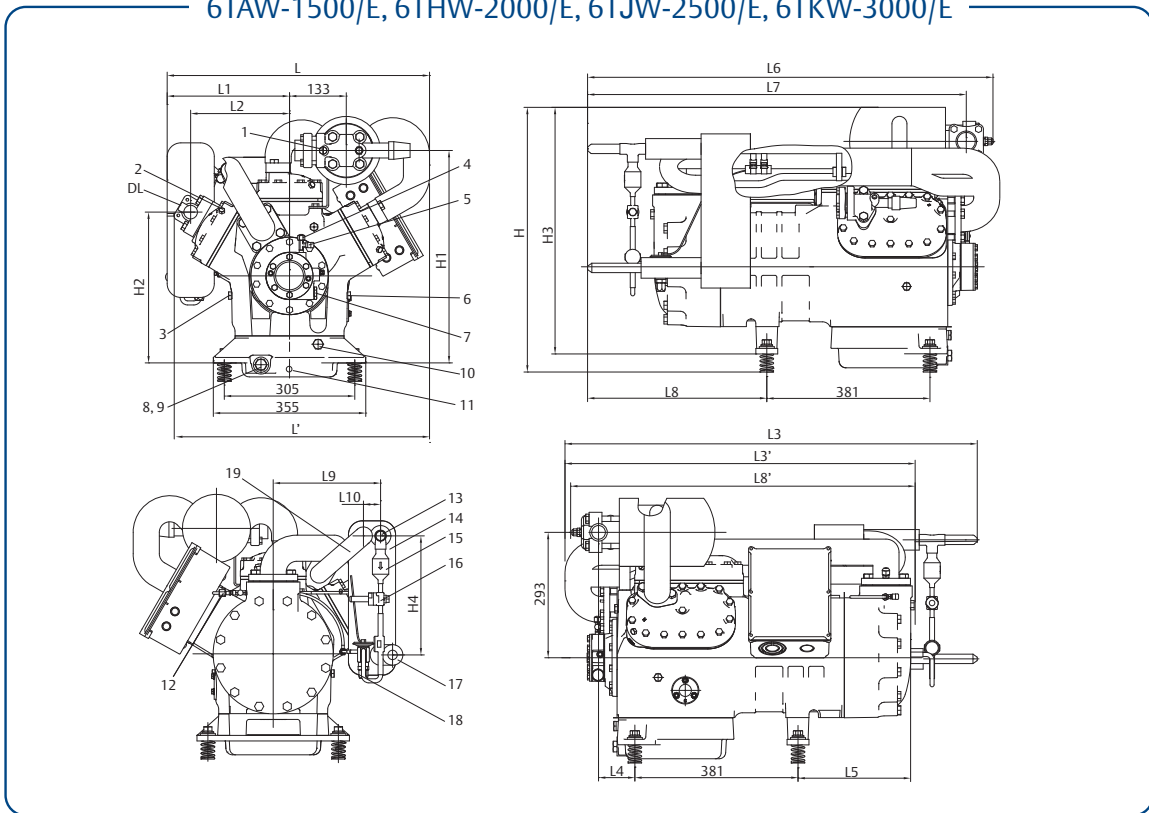
Suction Gas Temperature 20°C

Liquid subcooling 0K

6T Series

Dimensional Drawing

6TAW-1500/E, 6THW-2000/E, 6TJW-2500/E, 6TKW-3000/E



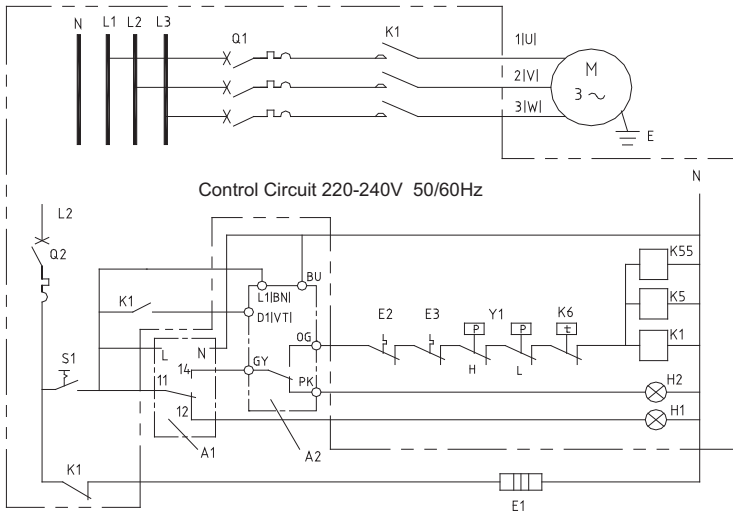
MODEL	SL Ø (Suction Line)	DL Ø (Discharge Line)	A (Mounting Length)	B (Mounting Length)	<i>with subcooler</i>			<i>without subcooler</i>		
					L (Length)	W (Width)	H (Height)	L (Length)	W (Width)	H (Height)
6TAW-1500/E	1 5/8"	1 3/8"	381mm	305mm	903 mm	602 mm	569 mm	756 mm	547 mm	569 mm
6THW-2000/E	1 5/8"	1 3/8"	381mm	305mm	903 mm	602 mm	569 mm	756 mm	547 mm	569 mm
6TJW-2500/E	1 5/8"	1 3/8"	381mm	305mm	903 mm	602 mm	619 mm	756 mm	547 mm	619 mm
6TKW-3000/E	1 5/8"	1 3/8"	381mm	305mm	962 mm	612 mm	619 mm	815 mm	596 mm	619 mm

6T Series

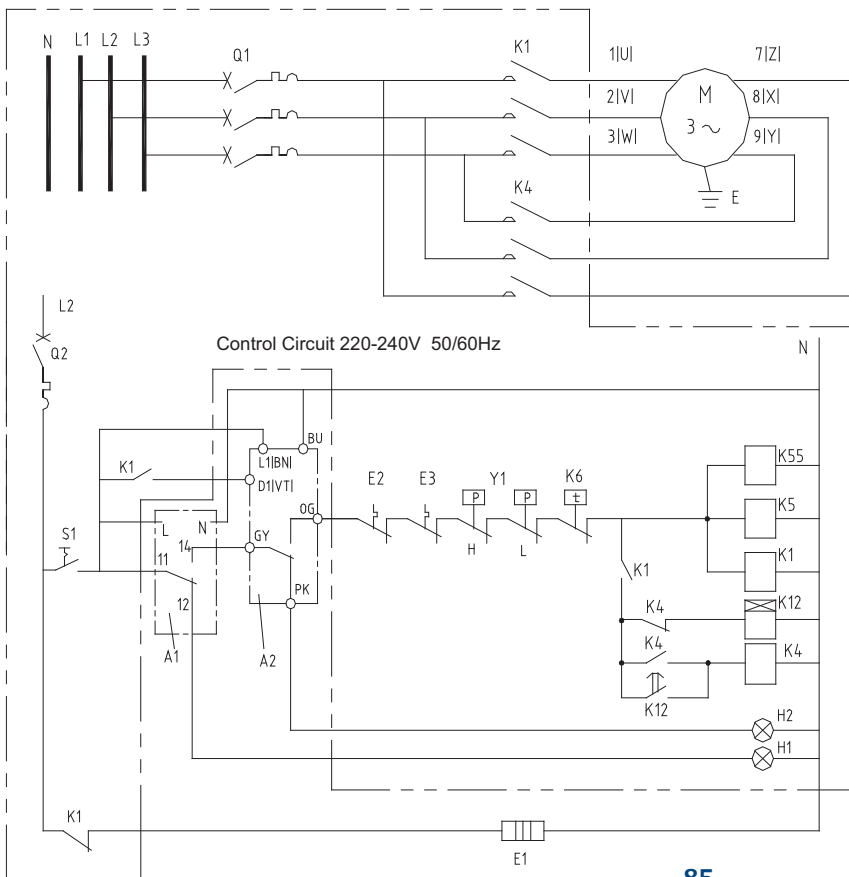
Dimensional Drawing

LIST OF MATERIAL			with subcooler		without subcooler	
ITEM	DESCRIPTION	SPECIFICATIONS	6TAW-1500(E) 6THW-2000(E)	6TJW-2500(E) 6TKW-3000(E)	6TAW-1500(E) 6THW-2000(E)	6TJW-2500(E) 6TKW-3000(E)
1	Plug – low pressure connection	¼" – 18NPTF	√	√	√	√
2	Plug – high pressure connection	1/8" - 27NPTF	√	√	√	√
3	Plug – oil charge	¼" – 18NPTF	√	√	√	√
4	Oil-pressure control H. P.	1/4"≈6mm	√	√	√	√
5	Oil-pressure connection	7/16"-20UNF	√	√	√	√
6	Plug oil-pressure control L. P.	1/4"-18NPTF	√	√	√	√
7	Oil Pressure Switch sensor connection	N/A	√	√	√	√
8	Oil screen built in	N/A	√	√	√	√
9	Magnetic plug	1"-16UN	√	√	√	√
10	Plug - crankcase heater	1/2"-14NPTF	√	√	√	√
11	Bore crankcase heater	Ø1/2" = 12.7mm	√	√	√	√
12	Intermediate pressure connection	7/16"-20UNF	x	√	x	√
13	Liquid line from receiver (sweat)	Ø7/8" = 22mm	√	√	x	x
14	Sub-cooler	N/A	√	√	x	x
15	Filter	N/A	√	√	x	x
16	Solenoid valve	N/A	√	√	x	x
17	Liquid line to evaporator (sweat)	Ø7/8" = 22mm	√	√	x	x
18	De-superheating expansion valve	N/A	√	√	x	x
19	Tube subcool intermediate	Ø5/8" = 15.875mm	√	√	x	x

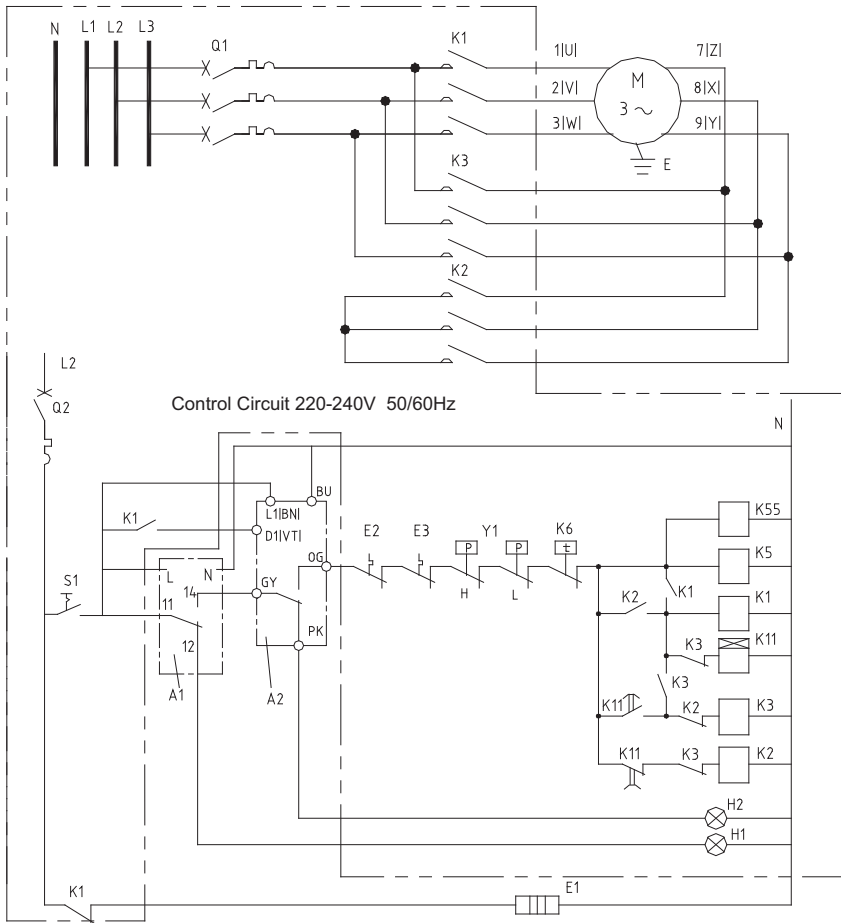
Electrical diagram for direct start



Electrical diagram For Part winding Start (AWM/D model)



Electrical diagram For Y-Δ Start (EWK Model)



Electrical Diagram Coding

- A1: Motor protector module
- A2: Oil Differential Pressure Switch OPS2
- D1: Operating recognition Connection;
- E: Grounding Connection
- E1: Crankcase Heater
- E2-E3: Thermal protection switch for fan
- K11: Time delay relay 1-3s for Y/Δstart
- K12: Time delay relay 1s±0.1s for Part-winding Start
- K1-K4: contactor M1
- K5,K55: Fan contactor
- K6: Thermostat
- M: Compressor motor
- Q1: Mini-breaker
- Q2: Mini-breaker
- S1: Control Switch
- Y1: H/L pressure switches
- L1, L2, L3: Voltage Connection
 - 380-420V-3-50 Hz -PW
 - 380-420V-3-60Hz-Y
 - 220-240V-3-60Hz-Delta
 - 440-480V-3-60Hz-PW

Color code

- VT: violet
- OG: orange
- GY: grey
- BN: brown
- BU: blue
- PK: pink

	Direct-On-Line Start Δ	Direct-On-Line Start Y	Star-Delta-Start Y- Δ
Star-Delta-Motor Y- Δ Code E	<p>E.4.01.00</p>	<p>E.4.02.00</p>	<p>E.4.03.00</p>
Part-Winding Motor: Y-Y Code A	<p>E.4.01.00</p>	<p>E.4.05.00</p>	

6T Series

Motor Current Data (A)

With Subcooler

Part Winding Connection (PW)

R22 (400V-3-50Hz) $t_c = 40^\circ\text{C}$ (CT)

Model	Evaporating temperature $^\circ\text{C}$									
	-60	-55	-50	-45	-40	-35	-30	-25	-20	
6TAW-1500			14.4	15.5	16.9	18.4	19.9	21.5	22.9	
6THW-2000			17.4	18.8	20.4	22.2	24.1	25.9	27.7	
6TJW-2500			20.1	21.7	23.6	25.7	27.9	30.0	32.1	
6TKW-3000			27.4	29.6	32.2	35.0	37.9	40.9	43.6	

Part Winding Connection (PW)

R404A/507 (400V-3-50Hz) $t_c = 40^\circ\text{C}$ (CT)

Model	Evaporating temperature $^\circ\text{C}$									
	-60	-55	-50	-45	-40	-35	-30	-25	-20	
6TAW-150E	14.0	15.3	16.7	18.1	19.5	20.9	22.2	23.5	24.7	
6THW-200E	17.5	19.2	20.9	22.7	24.5	26.2	27.9	29.5	31.0	
6TJW-250E	20.0	21.9	23.9	25.9	27.9	29.9	31.8	33.6	35.4	
6TKW-300E	26.6	29.1	31.8	34.5	37.1	39.8	42.3	44.7	47.0	

Star Connection (Y)

R22 (380V-3-60Hz) $t_c = 40^\circ\text{C}$ (CT)

Model	Evaporating temperature $^\circ\text{C}$									
	-60	-55	-50	-45	-40	-35	-30	-25	-20	
6TAW-1500			17.2	18.6	20.2	22.0	23.9	25.7	27.4	
6THW-2000			21.1	22.8	24.8	27.0	29.3	31.5	33.7	
6TJW-2500			24.2	26.2	28.5	31.0	33.6	36.2	38.7	
6TKW-3000			31.0	33.5	36.4	39.6	42.9	46.3	49.4	

Star Connection (Y)

R404A/507 (380V-3-60Hz) $t_c = 40^\circ\text{C}$ (CT)

Model	Evaporating temperature $^\circ\text{C}$									
	-60	-55	-50	-45	-40	-35	-30	-25	-20	
6TAW-150E	16.7	18.3	20.0	21.7	23.3	25.0	26.6	28.1	29.6	
6THW-200E	20.7	22.7	24.8	26.9	28.9	31.0	33.0	34.9	36.7	
6TJW-250E	24.1	26.4	28.8	31.2	33.6	36.0	38.3	40.5	42.6	
6TKW-300E	29.9	32.7	35.7	38.7	41.7	44.7	47.6	50.3	52.8	

6T Series

Motor Current Data (A)

With Subcooler

Part Winding Connection (PW)

R22 (460V-3-60Hz) $t_c = 40^\circ\text{C}$ (CT)

Model	Evaporating temperature $^\circ\text{C}$									
	-60	-55	-50	-45	-40	-35	-30	-25	-20	
6TAW-1500			14.4	15.5	16.9	18.4	19.9	21.5	22.9	
6THW-2000			17.4	18.8	20.4	22.2	24.1	25.9	27.7	
6TJW-2500			20.1	21.7	23.6	25.7	27.9	30.0	32.1	
6TKW-3000			27.4	29.6	32.2	35.0	37.9	40.9	43.6	

Part Winding Connection (PW)

R404A/507 (460V-3-60Hz) $t_c = 40^\circ\text{C}$ (CT)

Model	Evaporating temperature $^\circ\text{C}$									
	-60	-55	-50	-45	-40	-35	-30	-25	-20	
6TAW-150E	14.0	15.3	16.7	18.1	19.5	20.9	22.2	23.5	24.7	
6THW-200E	17.5	19.2	20.9	22.7	24.5	26.2	27.9	29.5	31.0	
6TJW-250E	20.0	21.9	23.9	25.9	27.9	29.9	31.8	33.6	35.4	
6TKW-300E	26.6	29.1	31.8	34.5	37.1	39.8	42.3	44.7	47.0	

Delta Connection (Δ)

R22 (230V-3-60Hz)

Model	Evaporating temperature $^\circ\text{C}$									
	-60	-55	-50	-45	-40	-35	-30	-25	-20	
6TAW-1500			30.1	32.5	35.4	38.5	41.7	45.0	48.0	
6THW-2000			36.9	39.9	43.4	47.3	51.2	55.2	58.9	
6TJW-2500			42.4	45.8	49.9	54.3	58.8	63.4	67.7	
6TKW-3000			54.2	58.6	63.7	69.3	75.1	80.9	86.4	

Delta Connection (Δ)

R404A/507 (230V-3-60Hz) $t_c = 40^\circ\text{C}$ (CT)

Model	Evaporating temperature $^\circ\text{C}$									
	-60	-55	-50	-45	-40	-35	-30	-25	-20	
6TAW-150E	29.2	32.1	35.0	37.9	40.9	43.8	46.6	49.2	51.7	
6THW-200E	36.2	39.8	43.4	47.0	50.7	54.3	57.7	61.0	64.1	
6TJW-250E	42.1	46.2	50.4	54.6	58.8	63.0	67.0	70.9	74.5	
6TKW-300E	52.3	57.3	62.5	67.8	73.0	78.2	83.2	88.0	92.5	

6T Series

Motor Current Data (A)

Without Subcooler

Part Winding Connection (PW)

R22 (400V-3-50Hz) $t_c = 40^\circ\text{C}$ (CT)

Model	Evaporating temperature $^\circ\text{C}$									
	-60	-55	-50	-45	-40	-35	-30	-25	-20	
6TAW-1500			13.5	14.6	15.8	17.1	18.5	20.0	21.5	
6THW-2000			17.7	19.1	20.7	22.5	24.5	26.6	28.9	
6TJW-2500			18.3	20.1	22.2	24.5	27.1	30.0	33.0	
6TKW-3000			24.6	27.6	30.5	33.3	35.9	38.3	40.4	

Part Winding Connection (PW)

R404A/507 (400V-3-50Hz) $t_c = 40^\circ\text{C}$ (CT)

Model	Evaporating temperature $^\circ\text{C}$									
	-60	-55	-50	-45	-40	-35	-30	-25	-20	
6TAW-150E	15.5	16.4	17.4	18.5	19.7	21.1	22.5	24.0	25.7	
6THW-200E	16.8	18.1	19.7	21.4	23.2	25.2	27.4	29.7	32.1	
6TJW-250E	20.2	21.4	22.9	24.8	27.0	29.5	32.3	35.4	38.6	
6TKW-300E	27.7	29.9	32.2	34.6	37.1	39.6	42.0	44.5	46.8	

Star Connection (Y)

R22 (380V-3-60Hz) $t_c = 40^\circ\text{C}$ (CT)

Model	Evaporating temperature $^\circ\text{C}$									
	-60	-55	-50	-45	-40	-35	-30	-25	-20	
6TAW-1500			17.0	18.3	19.9	21.5	23.3	25.2	27.1	
6THW-2000			22.3	24.1	26.1	28.4	30.9	33.6	36.4	
6TJW-2500			23.0	25.3	27.9	30.9	34.2	37.7	41.5	
6TKW-3000			24.6	27.6	30.5	33.3	35.9	38.3	40.4	

Star Connection (Y)

R404A/507 (380V-3-60Hz) $t_c = 40^\circ\text{C}$ (CT)

Model	Evaporating temperature $^\circ\text{C}$									
	-60	-55	-50	-45	-40	-35	-30	-25	-20	
6TAW-150E	19.5	20.6	21.9	23.3	24.9	26.5	28.3	30.3	32.4	
6THW-200E	21.1	22.8	24.8	26.9	29.3	31.8	34.5	37.4	40.5	
6TJW-250E	25.4	26.9	28.9	31.3	34.1	37.2	40.7	44.6	48.7	
6TKW-300E	31.1	33.6	36.2	38.9	41.7	44.5	47.3	50.0	52.6	

6T Series

Motor Current Data (A)

Without Subcooler

Part Winding Connection (PW)

R22 (460V-3-60Hz) $t_c = 40^\circ\text{C}$ (CT)

Model	Evaporating temperature $^\circ\text{C}$									
	-60	-55	-50	-45	-40	-35	-30	-25	-20	
6TAW-1500			13.5	14.6	15.8	17.1	18.5	20.0	21.5	
6THW-2000			17.7	19.1	20.7	22.5	24.5	26.6	28.9	
6TJW-2500			18.3	20.1	22.2	24.5	27.1	30.0	33.0	
6TKW-3000			24.6	27.6	30.5	33.3	35.9	38.3	40.4	

Part Winding Connection (PW)

R404A/507 (460V-3-60Hz) $t_c = 40^\circ\text{C}$ (CT)

Model	Evaporating temperature $^\circ\text{C}$									
	-60	-55	-50	-45	-40	-35	-30	-25	-20	
6TAW-150E	15.5	16.4	17.4	18.5	19.7	21.1	22.5	24.0	25.7	
6THW-200E	16.8	18.1	19.7	21.4	23.2	25.2	27.4	29.7	32.1	
6TJW-250E	20.2	21.4	22.9	24.8	27.0	29.5	32.3	35.4	38.6	
6TKW-300E	31.1	33.6	36.2	38.9	41.7	44.5	47.3	50.0	52.6	

Delta Connection (Δ)

R22 (230V-3-60Hz)

Model	Evaporating temperature $^\circ\text{C}$									
	-60	-55	-50	-45	-40	-35	-30	-25	-20	
6TAW-1500			29.7	32.1	34.7	37.6	40.7	44.0	47.4	
6THW-2000			39.1	42.2	45.7	49.7	54.0	58.7	63.7	
6TJW-2500			40.3	44.3	48.9	54.1	59.8	66.0	72.7	
6TKW-3000			43.0	48.3	53.4	58.3	62.9	67.0	70.8	

Delta Connection (Δ)

R404A/507 (230V-3-60Hz) $t_c = 40^\circ\text{C}$ (CT)

Model	Evaporating temperature $^\circ\text{C}$									
	-60	-55	-50	-45	-40	-35	-30	-25	-20	
6TAW-150E	34.1	36.1	38.3	40.8	43.5	46.4	49.6	53.0	56.6	
6THW-200E	37.0	40.0	43.4	47.1	51.2	55.6	60.4	65.5	70.8	
6TJW-250E	44.5	47.1	50.5	54.7	59.6	65.2	71.3	78.0	85.2	
6TKW-300E	54.4	58.8	63.4	68.1	73.0	77.9	82.8	87.5	92.1	

ALL Series

Mechanical Data

	Model	Europe Equivalent Model	Number of cylinders	Bore/Stroke, mm	Nominal HP	Motor Speed(rpm) 50/60 Hz	Displacement @ 50 Hz, cu.m/h	Displacement @ 60 Hz, cu.m/h
L Series	LA10-0200	DLE-201	2	44.5/36.5	2	1450/1750	9.9	11.9
	LA10-020E	DLE-20X	2	44.5/36.5	2	1450/1750	9.9	11.9
	LA20-0200	DLF-201	2	50.8/36.5	2	1450/1750	12.9	15.6
	LA20-020E	DLF-20X	2	50.8/36.5	2	1450/1750	12.9	15.6
	LA20-0300	DLF-301	2	50.8/36.5	3	1450/1750	12.9	15.6
	LA20-030E	DLF-30X	2	50.8/36.5	3	1450/1750	12.9	15.6
	LA40-0300	DLL-301	2	60.4/36.5	3	1450/1750	18.2	21.9
	LA40-030E	DLL-30X	2	60.4/36.5	3	1450/1750	18.2	21.9
	LA40-0400	DLL-401	2	60.4/36.5	4	1450/1750	18.2	21.9
	LA40-040E	DLL-40X	2	60.4/36.5	4	1450/1750	18.2	21.9
2S Series	LA50-0400	DLSG-401	2	61.9/42.8	4	1450/1750	22.5	-
	LA50-040E	DLSG-40X	2	61.9/42.8	4	1450/1750	22.5	-
	2SCW-0550	D2SC-550	2	60.3/54.0	5.5	1450/1750	26.8	32.3
	2SCW-055E	D2SC-55X	2	60.3/54.0	5.5	1450/1750	26.8	32.3
3S Series	2SKW-0750	D2SK-650	2	65.1/54.0	7.5	1450/1750	31.2	37.6
	2SKW-075E	D2SK-65X	2	65.1/54.0	7.5	1450/1750	31.2	37.6
	3SCH-1000	D3SC-1000	3	60.4/50.8	10	1450/1750	38.0	45.6
	3SCH-100E	D3SC-100X	3	60.4/50.8	10	1450/1750	38.0	45.6
	3SSH-1500	D3SS-1500	3	61.9/63.5	15	1450/1750	49.9	59.9
	3SSH-150E	D3SS-150X	3	61.9/63.5	15	1450/1750	49.9	59.9
	3SC1-1000	D3SC-750-DTC	3	60.4/50.8	10	1450/1750	38.0	45.6
	3SC1-100E	D3SC-75X	3	60.4/50.8	10	1450/1750	38.0	45.6
4S Series	3SS1-1500	D3SS-1000-DTC	3	61.9/63.5	15	1450/1750	49.9	59.9
	3SS1-150E	D3SS-100X	3	61.9/63.5	15	1450/1750	49.9	59.9
	4SAH-2000	D4SA-2000	4	63.5/50.8	20	1450/1750	56.0	67.2
	4SAH-200E	D4SA-200X	4	63.5/50.8	20	1450/1750	56.0	67.2
	4SHH-2500	D4SH-2500	4	68.3/55.6	25	1450/1750	70.8	85.0
	4SHH-250E	D4SH-250X	4	68.3/55.6	25	1450/1750	70.8	85.0
	4SJH-3000	D4SJ-3000	4	74.7/55.6	30	1450/1750	84.7	101.6
	4SJH-300E	D4SJ-300X	4	74.7/55.6	30	1450/1750	84.7	101.6
	4SLW-1500	D4SL-1500	4	68.3/55.6	15	1450/1750	70.8	85.0
	4SLW-150E	D4SL-150X	4	68.3/55.6	15	1450/1750	70.8	85.0
6S Series	4STW-2000	D4ST-2000	4	74.7/55.6	20	1450/1750	84.7	101.6
	4STW-200E	D4ST-200X	4	74.7/55.6	20	1450/1750	84.7	101.6
	6SHH-3500	D6SH-3500	6	68.3/55.6	35	1450/1750	106.0	127.2
	6SHH-350E	D6SH-350X	6	68.3/55.6	35	1450/1750	106.0	127.2
	6SJH-4000	D6SJ-4000	6	74.7/55.6	40	1450/1750	127.0	152.4
	6SJH-400E	D6SJ-400X	6	74.7/55.6	40	1450/1750	127.0	152.4
	6SKH-5000	D6SK-5000	6	80.6/57.0	50	1450/1750	151.8	182.2
	6SKH-500E	D6SK-5000	6	80.6/57.0	50	1450/1750	151.8	182.2
	6SLW-2500	D6SL-2500	6	68.3/55.6	25	1450/1750	106.0	127.2
	6SLW-250E	D6SL-250X	6	68.3/55.6	25	1450/1750	106.0	127.2
6T Series	6STW-3200	D6ST-3200	6	74.7/55.6	32	1450/1750	127.0	152.4
	6STW-320E	D6ST-320X	6	74.7/55.6	32	1450/1750	127.0	152.4
	6SUW-4000	D6SU-4000	6	80.6/57.0	40	1450/1750	151.8	182.2
	6SUW-400E	D6SU-400X	6	80.6/57.0	40	1450/1750	151.8	182.2
	6TAW-1500 SUB	D6TA-1500 SUB	6	63.5/50.8	15	1450/1750	56.0/28.0	67.6/33.8
	6TAW-150E SUB	D6TA-150X SUB	6	63.5/50.8	15	1450/1750	56.0/28.0	67.6/33.8
	6THW-2000 SUB	D6TH-2000 SUB	6	68.2/55.5	20	1450/1750	70.8/35.4	85.5/42.7
	6THW-200E SUB	D6TH-200X SUB	6	68.2/55.5	20	1450/1750	70.8/35.4	85.5/42.7
	6TJW-2500 SUB	D6TJ-2500 SUB	6	74.7/55.6	25	1450/1750	84.7/42.4	102.2/51.1
	6TJW-250E SUB	D6TJ-250X SUB	6	74.7/55.6	25	1450/1750	84.7/42.4	102.2/51.1
	6TKW-3000 SUB	-	6	80.6/57.0	30	1450/1750	101.2/50.6	122.1/61.5
	6TKW-300E SUB	-	6	80.6/57.0	30	1450/1750	101.2/50.6	122.1/61.5
	6TAW-1500	D6TA-1500	6	63.5/50.8	15	1450/1750	56.0	67.6
	6TAW-150E	D6TA-150X	6	63.5/50.8	15	1450/1750	56.0	67.6
6THW-2000	D6TH-2000	6	68.2/55.5	20	1450/1750	70.8	85.5	
6THW-200E	D6TH-200X	6	68.2/55.5	20	1450/1750	70.8	85.5	
6TJW-2500	D6TJ-2500	6	74.7/55.6	25	1450/1750	84.7	102.2	
6TJW-250E	D6TJ-250X	6	74.7/55.6	25	1450/1750	84.7	102.2	
6TKW-3000	-	6	80.6/57.0	30	1450/1750	101.2	122.1	
6TKW-300E	-	6	80.6/57.0	30	1450/1750	101.2	122.1	

ALL Series

Mechanical Data

	Model	Rotalock Discharge, inch	Rotalock Suction, inch	Length/Width, mm	Height, mm	Base mounting (hole dia), mm	Oil Quantity, l	Net Weight, kg	Gross Weight, kg
L Series	LA10-0200	15 mm	22 mm	460/330	385	295 x 279 (22.0)	2.4	77	85
	LA10-020E	15 mm	22 mm	460/330	385	295 x 279 (22.0)	2.4	77	85
	LA20-0200	15 mm	22 mm	460/330	385	295 x 279 (22.0)	2.4	76	84
	LA20-020E	15 mm	22 mm	460/330	385	295 x 279 (22.0)	2.4	76	84
	LA20-0300	15 mm	22 mm	460/330	385	295 x 279 (22.0)	2.4	79	87
	LA20-030E	15 mm	22 mm	460/330	385	295 x 279 (22.0)	2.4	79	87
	LA40-0300	15 mm	28 mm	460/330	385	295 x 279 (22.0)	2.4	78	86
	LA40-030E	15 mm	28 mm	460/330	385	295 x 279 (22.0)	2.4	78	86
	LA40-0400	15 mm	28 mm	460/330	385	295 x 279 (22.0)	2.4	80	88
	LA40-040E	15 mm	28 mm	460/330	385	295 x 279 (22.0)	2.4	80	88
	LA50-0400	15 mm	28 mm	460/330	385	295 x 279 (22.0)	2.4	81	89
	LA50-040E	15 mm	28 mm	460/330	385	295 x 279 (22.0)	2.4	81	89
2S Series	2SCW-0550	7/8	1 1/8	553/330	395	295 x 279 (22.0)	2.4	91	100
	2SCW-055E	7/8	1 1/8	553/330	395	295 x 279 (22.0)	2.4	91	100
	2SKW-0750	7/8	1 1/8	553/330	395	295 x 279 (22.0)	2.4	92	101
	2SKW-075E	7/8	1 1/8	553/330	395	295 x 279 (22.0)	2.4	92	101
3S Series	3SCH-1000	1 1/8	1 3/8	680/370	443	381 x 305 (25.4)	3.7	157	175
	3SCH-100E	1 1/8	1 3/8	680/370	443	381 x 305 (25.4)	3.7	157	175
	3SSH-1500	1 1/8	1 5/8	710/370	443	381 x 305 (25.4)	3.7	162	180
	3SSH-150E	1 1/8	1 5/8	710/370	443	381 x 305 (25.4)	3.7	162	180
	3SC1-1000	1 1/8	1 3/8	653/370	443	381 x 305 (25.4)	3.7	157	175
	3SC1-100E	1 1/8	1 3/8	653/370	443	381 x 305 (25.4)	3.7	157	175
	3SS1-1500	1 1/8	1 3/8	680/370	443	381 x 305 (25.4)	3.7	169	187
	3SS1-150E	1 1/8	1 3/8	680/370	443	381 x 305 (25.4)	3.7	169	187
4S Series	4SAH-2000	1 1/8	1 5/8	650/485	495	381 x 305 (25.5)	3.8	183	210
	4SAH-200E	1 1/8	1 5/8	650/485	495	381 x 305 (25.5)	3.8	183	210
	4SHH-2500	1 1/8	2 1/8	670/490	495	381 x 305 (25.5)	3.8	194	221
	4SHH-250E	1 1/8	2 1/8	670/490	495	381 x 305 (25.5)	3.8	194	221
	4SJH-3000	1 3/8	2 1/8	690/515	495	381 x 305 (25.5)	3.8	210	237
	4SJH-300E	1 3/8	2 1/8	690/515	495	381 x 305 (25.5)	3.8	210	237
	4SLW-1500	1 1/8	1 5/8	680/485	495	381 x 305 (25.5)	3.4	180	207
	4SLW-150E	1 1/8	1 5/8	680/485	495	381 x 305 (25.5)	3.4	180	207
	4STW-2000	1 3/8	2 1/8	725/490	495	381 x 305 (25.5)	3.4	192	219
	4STW-200E	1 3/8	2 1/8	725/490	495	381 x 305 (25.5)	3.4	192	219
6S Series	6SHH-3500	1 3/8	2 1/8	760/540	490	381 x 305 (25.5)	4.0	224	251
	6SHH-350E	1 3/8	2 1/8	760/540	490	381 x 305 (25.5)	4.0	224	251
	6SJH-4000	1 3/8	2 1/8	760/565	545	381 x 305 (25.5)	6.8	252	279
	6SJH-400E	1 3/8	2 1/8	760/565	545	381 x 305 (25.5)	6.8	252	279
	6SKH-5000	1 5/8	2 5/8	771/570	540	457 x 305 (25.5)	6.8	268	295
	6SKH-500E	1 5/8	2 5/8	771/570	540	457 x 305 (25.5)	6.8	268	295
	6SLW-2500	1 3/8	2 1/8	740/540	490	381 x 305 (25.4)	3.4	210	237
	6SLW-250E	1 3/8	2 1/8	740/540	490	381 x 305 (25.4)	3.4	210	237
	6STW-3200	1 3/8	2 1/8	740/540	545	381 x 305 (25.4)	6.8	234	261
	6STW-320E	1 3/8	2 1/8	740/540	545	381 x 305 (25.4)	6.8	234	261
	6SUW-4000	1 5/8	2 5/8	771/570	540	381 x 305 (25.4)	6.8	265	294
	6SUW-400E	1 5/8	2 5/8	771/570	540	381 x 305 (25.4)	6.8	265	294
6T Series	6TAW-1500 SUB	1 3/8	1 5/8	903/602	569	381 x 305 (25.5)	4.0	224	254
	6TAW-150E SUB	1 3/8	1 5/8	903/602	569	381 x 305 (25.5)	4.0	224	254
	6THW-2000 SUB	1 3/8	1 5/8	903/602	569	381 x 305 (25.5)	4.0	227	257
	6THW-200E SUB	1 3/8	1 5/8	903/602	569	381 x 305 (25.5)	4.0	227	257
	6TJW-2500 SUB	1 3/8	1 5/8	903/602	619	381 x 305 (25.5)	6.8	247	277
	6TJW-250E SUB	1 3/8	1 5/8	903/602	619	381 x 305 (25.5)	6.8	247	277
	6TKW-3000 SUB	1 3/8	1 5/8	962/612	619	381 x 305 (25.5)	6.8	268	300
	6TKW-300E SUB	1 3/8	1 5/8	962/612	619	381 x 305 (25.5)	6.8	268	300
	6TAW-1500	1 3/8	1 5/8	756/547	569	381 x 305 (25.5)	4.0	219	249
	6TAW-150E	1 3/8	1 5/8	756/547	569	381 x 305 (25.5)	4.0	219	249
	6THW-2000	1 3/8	1 5/8	756/547	569	381 x 305 (25.5)	4.0	222	252
	6THW-200E	1 3/8	1 5/8	756/547	569	381 x 305 (25.5)	4.0	222	252
	6TJW-2500	1 3/8	1 5/8	756/547	619	381 x 305 (25.5)	6.8	242	272
	6TJW-250E	1 3/8	1 5/8	756/547	619	381 x 305 (25.5)	6.8	242	272
	6TKW-3000	1 3/8	1 5/8	815/596	619	381 x 305 (25.5)	6.8	263	295
	6TKW-300E	1 3/8	1 5/8	815/596	619	381 x 305 (25.5)	6.8	263	295

ALL Series

Electrical Data

	Model	Nominal HP	Motor Speed (rpm)	EWL/AWM/TFD			EWL			EWK			EWK			AWD/TFD		
				380-420, 3ph, 50Hz			220-240, 3ph, 50Hz			380-420, 3ph, 60Hz			220-240, 3ph, 60Hz			440-480, 3ph, 60Hz		
				MRA	Min LRA	Max LRA	MRA	Min LRA	Max LRA	MRA	Min LRA	Max LRA	MRA	Min LRA	Max LRA	MRA	Min LRA	Max LRA
L Series	LA10-0200	2.0	1450/1750	5.7	34.0	37.6	9.9	59.0	64.0	6.8	43.0	48.5	12.0	75.0	84.0	-	-	-
	LA10-020E	2.0	1450/1750	5.7	34.0	37.6	9.9	59.0	64.0	6.8	43.0	48.5	12.0	75.0	84.0	-	-	-
	LA20-0200	2.0	1450/1750	5.5	34.0	37.6	9.5	59.0	64.0	6.6	43.0	48.5	11.6	75.0	84.0	-	-	-
	LA20-020E	2.0	1450/1750	4.5	34.0	37.6	7.8	59.0	64.0	5.4	43.0	48.5	9.5	75.0	84.0	-	-	-
	LA20-0300	3.0	1450/1750	7.2	48.0	53.0	12.5	83.0	91.0	8.6	63.0	69.5	15.1	109.0	121.0	-	-	-
	LA20-030E	3.0	1450/1750	6.8	48.0	53.0	11.8	83.0	91.0	8.2	63.0	69.5	14.3	109.0	121.0	-	-	-
	LA40-0300	3.0	1450/1750	7.1	48.0	53.0	12.3	83.0	91.0	8.5	63.0	69.5	14.9	109.0	121.0	-	-	-
	LA40-030E	3.0	1450/1750	7.3	48.0	53.0	12.6	83.0	91.0	8.8	63.0	69.5	15.3	109.0	121.0	-	-	-
	LA40-0400	4.0	1450/1750	9.3	62.0	68.5	16.1	107.0	117.0	11.2	68.9	76.1	19.5	120.0	131.0	-	-	-
	LA40-040E	4.0	1450/1750	9.5	62.0	68.5	16.4	107.0	117.0	11.4	68.9	76.1	20.0	120.0	131.0	-	-	-
LA50-0400	4.0	1450/1750	8.6	62.0	68.5	14.9	107.0	117.0	-	-	-	-	-	-	-	-	-	
LA50-040E	4.0	1450/1750	8.9	62.0	68.5	15.4	107.0	117.0	-	-	-	-	-	-	-	-	-	
2S Series	2SCW-0550	5.5	1450/1750	12.8	67.0	74.1	22.1	116.0	128.0	15.4	77.1	85.2	26.8	135.0	147.0	-	-	-
	2SCW-055E	5.5	1450/1750	13.1	67.0	74.1	22.7	116.0	128.0	15.7	77.1	85.2	27.5	135.0	147.0	-	-	-
	2SKW-0750	7.5	1450/1750	15.7	77.0	85.3	27.2	134.0	147.0	18.8	87.0	96.5	33.0	151.0	168.0	-	-	-
	2SKW-075E	7.5	1450/1750	16.4	77.0	85.3	28.4	134.0	147.0	19.7	87.0	96.5	34.4	151.0	168.0	-	-	-
3S Series	3SC1-1000	10.0	1450/1750	17.9	-	83.0	-	-	-	20.4	-	96.0	35.8	-	165.0	17.9	-	83.0
	3SC1-100E	15.0	1450/1750	18.9	-	83.0	-	-	-	20.4	-	96.0	35.8	-	165.0	18.9	-	83.0
	3SCH-1000	10.0	1450/1750	22.0	-	106.0	-	-	-	27.4	-	112.0	47.9	-	194.0	22.0	-	106.0
	3SCH-100E	10.0	1450/1750	22.0	-	106.0	-	-	-	27.4	-	112.0	47.9	-	194.0	22.0	-	106.0
	3SS1-1500	10.0	1450/1750	25.9	-	138.0	-	-	-	29.1	-	138.0	50.9	-	238.0	25.9	-	138.0
	3SS1-150E	15.0	1450/1750	27.2	-	138.0	-	-	-	29.1	-	138.0	50.9	-	238.0	27.2	-	138.0
	3SSH-1500	15.0	1450/1750	25.0	-	138.0	-	-	-	37.3	-	138.0	65.3	-	238.0	25.0	-	138.0
	3SSH-150E	15.0	1450/1750	25.0	-	138.0	-	-	-	37.3	-	138.0	65.3	-	238.0	25.0	-	138.0
4S Series	4SAH-2000	20.0	1450/1750	31.6	158.3	175.0	-	-	-	37.9	203.0	224.0	66.4	354.0	386.0	31.6	164.0	178.0
	4SAH-200E	20.0	1450/1750	31.6	158.3	175.0	-	-	-	37.9	203.0	224.0	66.4	354.0	386.0	31.6	164.0	178.0
	4SHH-2500	25.0	1450/1750	42.4	180.0	199.0	-	-	-	50.9	228.0	252.0	89.0	397.0	433.0	42.4	183.0	200.0
	4SHH-250E	25.0	1450/1750	42.4	180.0	199.0	-	-	-	50.9	228.0	252.0	89.0	397.0	433.0	42.4	183.0	200.0
	4SJH-3000	30.0	1450/1750	48.0	200.0	221.0	-	-	-	57.6	243.0	268.0	101.0	424.0	462.0	48.0	196.0	213.0
	4SJH-300E	30.0	1450/1750	48.3	200.0	221.0	-	-	-	58.0	243.0	268.0	101.0	424.0	462.0	48.3	196.0	213.0
	4SLW-1500	15.0	1450/1750	31.1	125.0	140.0	-	-	-	37.3	163.0	180.0	64.6	282.0	312.0	31.1	118.0	132.0
	4SLW-150E	15.0	1450/1750	35.1	125.0	140.0	-	-	-	42.1	163.0	180.0	72.9	282.0	312.0	35.1	118.0	132.0
	4STW-2000	20.0	1450/1750	34.9	143.0	160.0	-	-	-	41.8	180.0	199.0	72.4	312.0	345.0	34.9	137.0	154.0
	4STW-200E	20.0	1450/1750	39.6	143.0	160.0	-	-	-	47.5	180.0	199.0	82.3	312.0	345.0	39.6	137.0	154.0
6S Series	6SHH-3500	35.0	1450/1750	63.6	275.0	304.0	-	-	-	76.3	332.0	367.0	134.0	579.0	632.0	63.6	268.0	292.0
	6SHH-350E	35.0	1450/1750	63.6	275.0	304.0	-	-	-	76.3	332.0	367.0	134.0	579.0	632.0	63.6	268.0	292.0
	6SJH-4000	40.0	1450/1750	75.3	275.0	304.0	-	-	-	90.4	332.0	367.0	158.0	579.0	632.0	75.3	268.0	292.0
	6SJH-400E	40.0	1450/1750	75.3	275.0	304.0	-	-	-	90.4	332.0	367.0	158.0	579.0	632.0	75.3	268.0	292.0
	6SKH-5000	50.0	1450/1750	89.4	355.0	393.0	-	-	-	107.0	436.0	482.0	188.0	761.0	830.0	89.4	351.0	383.0
	6SKH-500E	50.0	1450/1750	89.4	355.0	393.0	-	-	-	107.0	436.0	482.0	188.0	761.0	830.0	89.4	351.0	383.0
	6SLW-2500	25.0	1450/1750	45.4	173.0	192.0	-	-	-	54.5	214.0	236.0	94.4	370.0	409.0	45.4	166.0	184.0
	6SLW-250E	25.0	1450/1750	51.6	173.0	192.0	-	-	-	61.9	214.0	236.0	107.2	370.0	409.0	51.6	166.0	184.0
	6STW-3200	32.0	1450/1750	58.3	253.0	284.0	-	-	-	70.1	325.0	359.0	121.4	562.0	622.0	58.3	243.0	273.0
	6STW-320E	32.0	1450/1750	64.9	253.0	284.0	-	-	-	77.8	325.0	359.0	134.7	562.0	622.0	64.9	243.0	273.0
6T Series	6SUW-4000	40.0	1450/1750	66.8	275.0	304.0	-	-	-	80.2	332.0	367.0	140.0	579.0	632.0	66.8	268.0	292.0
	6SUW-400E	40.0	1450/1750	78.0	275.0	304.0	-	-	-	93.6	332.0	367.0	164.0	579.0	632.0	78.0	268.0	292.0
	6TAW-1500	15.0	1450/1750	28.8	157.0	173.0	60.5	331.0	361.0	34.6	190.0	210.0	60.5	331.0	361.0	28.8	159.0	174.0
	6TAW-150E	15.0	1450/1750	29.4	157.0	173.0	61.7	331.0	361.0	35.3	190.0	210.0	61.7	331.0	361.0	29.4	159.0	174.0
	6THW-2000	20.0	1450/1750	36.3	157.0	173.0	76.2	331.0	361.0	43.6	190.0	210.0	76.2	331.0	361.0	36.3	159.0	174.0
	6THW-200E	20.0	1450/1750	37.7	157.0	173.0	79.2	331.0	361.0	45.2	190.0	210.0	79.2	331.0	361.0	37.7	159.0	174.0
	6TJW-250E	25.0	1450/1750	44.6	178.0	197.0	93.7	376.0	410.0	53.5	216.0	238.0	93.7	376.0	410.0	44.6	181.0	197.0
	6TJW-2500	25.0	1450/1750	42.1	178.0	197.0	88.4	376.0	410.0	50.5	216.0	238.0	88.4	376.0	410.0	42.1	181.0	197.0
	6TKW-3000	30.0	1450/1750	51.8	275.0	304.0	103.6	579.0	632.0	59.2	332.0	367.0	103.6	579.0	632.0	51.8	268.0	292.0
	6TKW-300E	30.0	1450/1750	54.5	275.0	304.0	115.6	579.0	632.0	66.1	332.0	367.0	115.6	579.0	632.0	54.5	268.0	292.0

Contact us at:**Emerson Climate Technologies,****Asia Pacific Headquarters**

10/F, Pioneer Building,
213 Wai Yip Street,
Kwun Tong, Kowloon, Hong Kong.
Tel: (852) 2866 3108
Fax: (852) 2520 6227

Australia**Emerson Climate Technologies Australia Pty Ltd**

Unit R7, 391 Park Road
Regents Park, NSW 2143, Australia
Tel: (61-2) 9795 2800
Fax: (61-2) 9738 1699

China - Shanghai**c/o Emerson Climate Technologies (Suzhou) Co. Ltd****Shanghai Sales Office**

11th Floor, Innov Tower,
1801 Hong Mei Road,
XujiaHui District
Shanghai 200233, P. R. China
Tel: (86-21) 3395 0000
Fax: (86-21) 3367 8100

China - Beijing**c/o Emerson Climate Technologies (Suzhou) Co. Ltd****Beijing Sales Office**

Room 310, Canway Building
66 Nan Lishi Road, Xicheng District
Beijing 100045, China
Tel: (86-10) 6805 7825
Fax: (86-10) 6805 6301

China - Guangzhou**c/o Emerson Climate Technologies (Suzhou) Co. Ltd****Guangzhou Sales Office**

Room 508-509, R&F Yinglong Plaza
No. 76 Huangpu Road West,
Guangzhou 510623, PRC.
Tel: (86-20) 2886 7668
Fax: (86-20) 2886 7622

China - Suzhou**c/o Emerson Climate Technologies (Suzhou) Co. Ltd****Suzhou Plant**

No. 69 Suhong West Road,
Suzhou Industrial Park, Suzhou,
Jiangsu Province, P.R.C. 215021 China.
Tel: (86-512) 6257 5505
Fax: (86-512) 6257 5506

India - PUNE**Emerson Climate Technologies (India) Ltd**

Plot No. 23, Rajiv Gandhi Infotech Park,
Phase - II, Hinjewadi,
Pune 411 057, Maharashtra, India
Tel: (91-20) 4200 2000
Fax: (91-20) 4200 2099

India - Mumbai**Emerson Climate Technologies (India) Ltd**

Unit No. 4,5,6 & 7, Bhaveshwar Arcade
LBS Marg, Opp. Shreyas Cinema
Ghatkopar (West)
Mumbai 400 086, Maharashtra, India
Tel: (91-22) 2500 6630/ 2500 6632
Fax: (91-22) 2500 6570

Indonesia**PT. Emerson Indonesia**

Wisma Kota BNI 46 16th floor Suite 16.01
Jl. Jend.Sudirman Kav.1.Jakarta 10220
Tel: (62)21-2513003 ext.6000
Fax: (62)21-2510622

Japan**c/o Emerson Japan Ltd**

Shin-yokohama Tosho Building No. 3
3-9-5 Shin-Yokohama, Kohoku-ku
Yokohama 222-0033 Japan
Tel: (81-45)475 6371
Fax: (81-45)475 3565

South Korea**c/o Emerson Electric (South Korea) Ltd**

12F, Narae B/D, 719-1, Yeoksam-dong
Gangnam-gu, Seoul, South Korea 135-080
Tel: (82-2) 3483-1500
Fax: (82-2) 592-7883 / 592-7886

Malaysia**c/o Emerson Electric (Malaysia) Sdn. Bhd.**

Level M2, Blk A, Menara PKNS-PJ
Jalan Yong Shook Lin
46050 Petaling Jaya, Selangor, Malaysia
Tel: (60-3) 7949 9222
Fax: (60-3) 7949 9333

Taiwan**c/o Emerson Electric (Taiwan) Co. Ltd**

5th Floor, No.2 Jen Ai Road
Section 4, Taipei 10650, Taiwan
Tel: (886-2) 2325 9555
Fax: (886-2) 2702 9630/ 2784 0022

Thailand - Rayong Plant**c/o Emerson Electric (Thailand) Ltd**

No. 24 Moo 4 Tambol Pluakdaeng, Amphur
Pluakdaeng, Rayong 21140, Thailand
Tel: (66-38) 957 000
Fax: (66-38) 954 251

Thailand - Bangkok**c/o Emerson Electric (Thailand) Ltd**

34th Floor Nation Tower
1858/133 Bangna Trad
Bangkok 10260, Thailand
Tel: (66-2) 716-4700
Fax: (66-2) 751-4240

aprefrigeration@emersonclimate.com